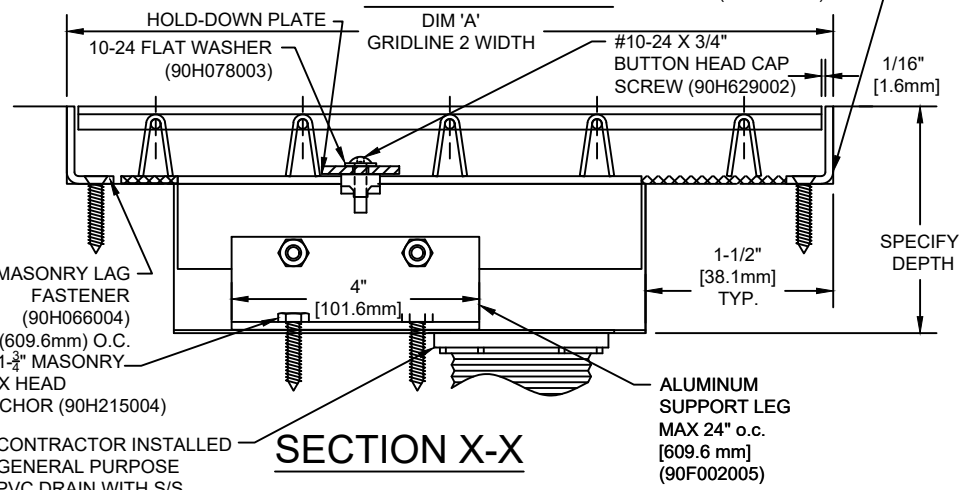
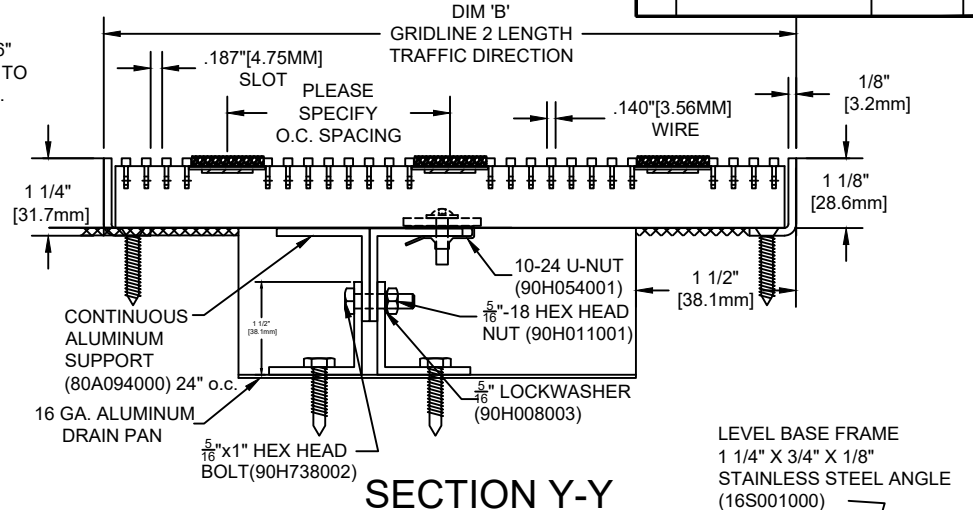
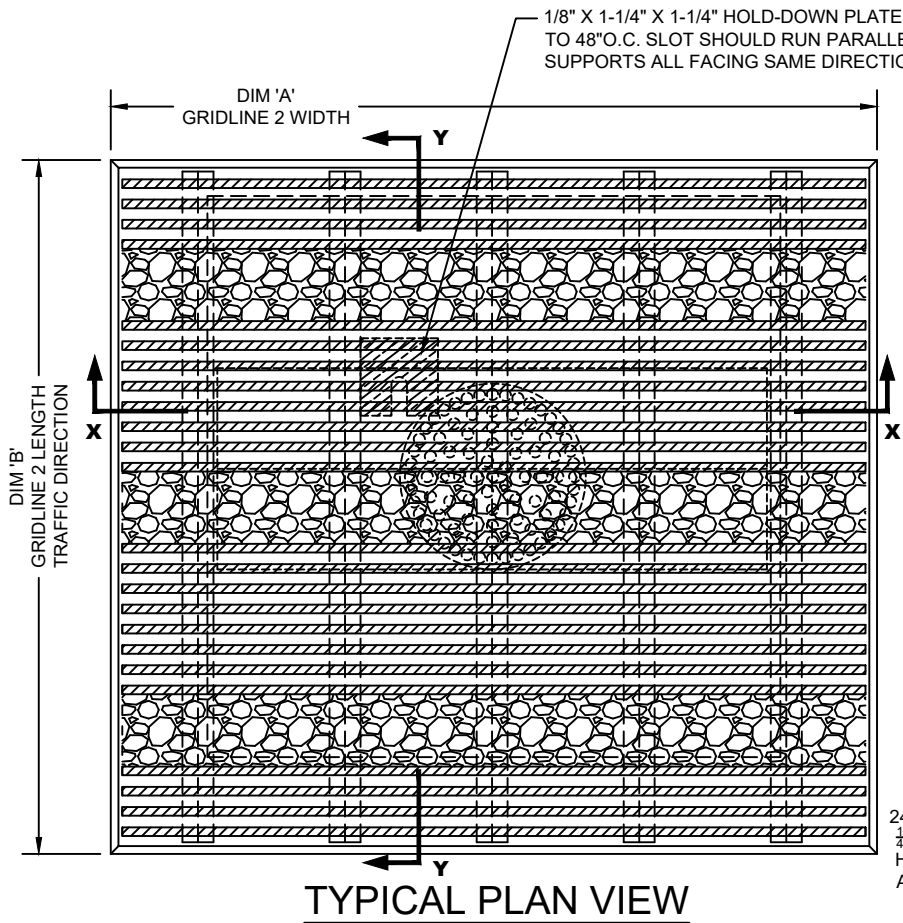


1-1/8" STAINLESS STEEL GRIDLINE 2 (STRAIGHT RAILS) / WITH RECYCLED RUBBER INSERTS AND RECESSED DEEP PIT FRAME AND ALUM. DRAIN PAN LESS THAN 3"				NO.	REVISION	DATE	BY
INSERT STYLE: N/A	INSERT COLOR: N/A	CATALOG NUMBER: G6	PART NUMBER:	NO.	F&F RELEASE	DATE	BY



NOTES:

* MECHANICALLY INTELLOCKED DESIGN TO ENSURE CORRECT WEIGHT BEARING PROPERTIES.
 *MAX. SINGLE GRID SIZE NOT TO EXCEED 10'-0" [3.048M] IN WIDTH (DIM 'A') OR 6'-0" [1.829M] IN LENGTH (DIM 'B')

*GRIDS SHALL BE ABLE TO SUPPORT A 300LB/SQ.FT UNIFORM LOAD.
 * SURFACE WIRE SPACING PROVIDES A 57.7% EFFECTIVE OPEN AREA FOR DIRT AND MOISTURE REMOVAL.

QTY	MARK #	LOCATION	MODEL	DIM 'A' WIDTH	DIM 'B' LENGTH	FRAME FINISH	REMARKS

CS Construction Specialties
 6696 Route 405 Highway, Muncy PA 17756
 (800) 233-8493 • Fax (570) 546-4692 • www.c-sgroup.com

PROJECT:		
LOCATION:		
CONTRACTOR:		
AGENT:		SHT:
DRG. BY:	DATE:	JOB NO.:

PLEASE VERIFY ALL