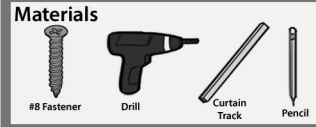


NARROWLINE SURFACE MOUNTED CUBICLE TRACK INSTALLATION INSTRUCTIONS

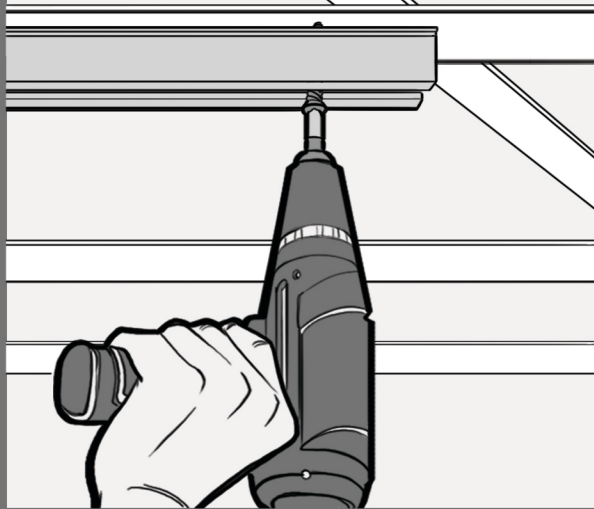
Note
Ceiling track can be installed directly on the **GRID** using a #8 flat head fastener, so pre-drilling track and marking ceilings are not necessary.



Grid Installation

Step 1

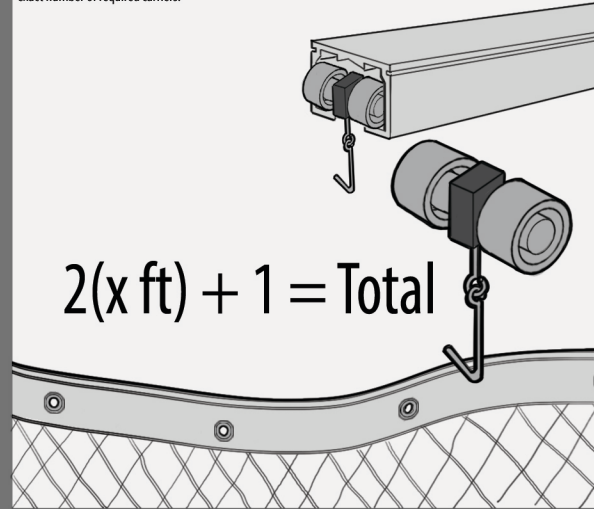
Secure the track to the ceiling using the #8 fastener of your choice. Be sure not to overtorque the fastener and ensure all the joints line up. All burrs must be removed prior to mounting and the screws must be aligned with the etched center line. This will ensure the curtain carriers travel smoothly across splices and will prevent any binding issues.



Step 2

Install the proper number of carriers prior to mounting the carrier stop and gate end. The standard spacing for carriers is every 6', which is more than ample to assure a strong installation. To determine the proper number of carriers required, use this equation for reference: (size of curtain width x 2) + 1. For example, a 16' wide curtain would require 33 total carriers, since the equation is (16 x 2) + 1. Simply counting the number of eyelets in the curtain will also produce the exact number of required carriers.

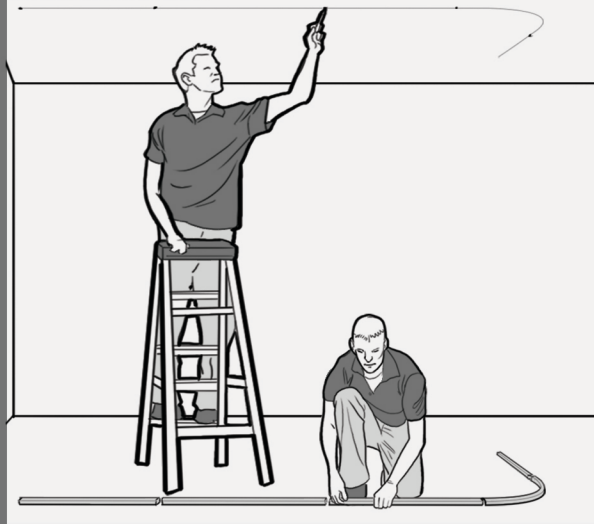
$$2(x \text{ ft}) + 1 = \text{Total}$$



Sheet Rock/Plaster Installation

Step 1

Arrange all sections of the curtain track on the floor as they should be secured to the ceiling above. Place each section of track against the ceiling and lightly mark the desired locations for the curtain track. The mounting locations should be marked with the field-supplied fastener as well. Holes should be placed starting at each end and at a minimum of 24" to a maximum of 36" (or 914 mm) intervals.



Step 2

Drill the curtain track at the previously marked locations with the drill specified for the fasteners chosen. Make sure all holes are aligned with the etched center line on the track.



Step 3

Return the track to the ceiling and line it up with the previous marks, propping the track to the ceiling as necessary to allow for pre-drilling of pilot holes into the substrate.

Proceed to Step 1 above and use the same steps for the grid installation's final steps to install the ceiling track.

Note: Fasteners should be chosen within the pan-head style options so as not to exceed the #8 anchors.

