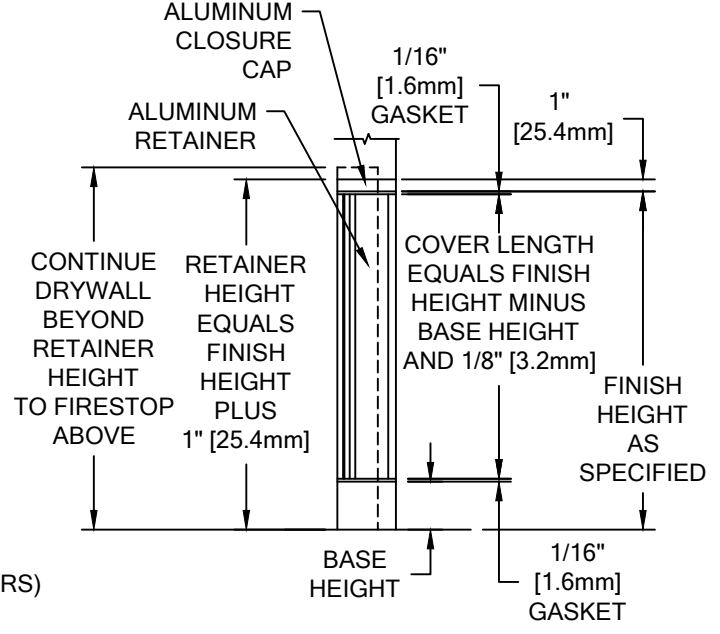
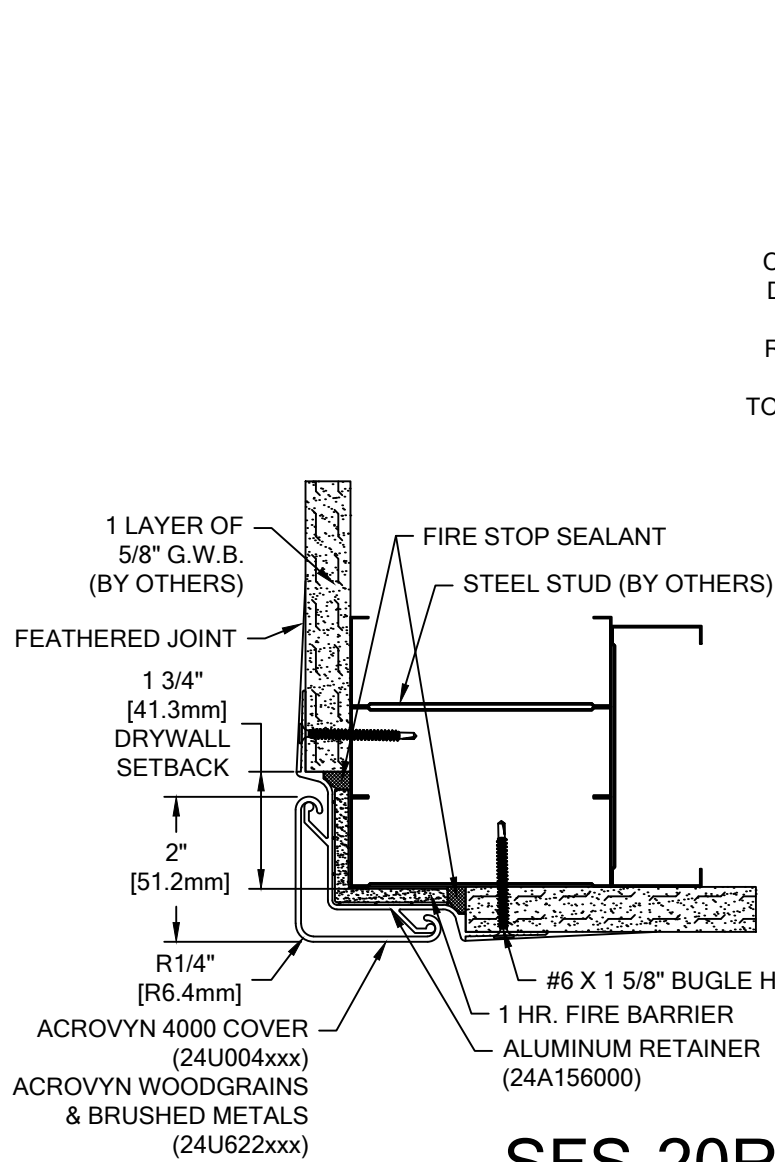


COLOR:
 CORNER GUARD:
 COLOR TO BE SELECTED FROM ONE OF CS STANDARD COLORS.

| UNITS REQ'D | CEILING HEIGHT | RETAINER LENGTH | COVER LENGTH | BASE HEIGHT |
|-------------|----------------|-----------------|--------------|-------------|
| | | | | |
| | | | | |
| | | | | |

NOTES:
 1. A MINIMUM 24 GA. CHANNEL STUD MUST BE SECURELY ANCHORED TOP AND BOTTOM TO INSURE POSITIVE ATTACHMENT OF ALUMINUM RETAINERS. IF TRUSS STUDS ARE USED, CHANNEL STUDS MUST BE USED AT CORNER.



FLUSH MOUNTED GUARD AT PARTIAL HEIGHT ELEVATION

SFS-20RN 1HR ACROVYN 4000

| WALL CONDITION | SPECIFIED FASTENER | DRILL DIAMETERS | | CS PART NUMBER |
|---|----------------------------|-----------------|----------|----------------|
| | | WALL | RETAINER | |
| STEEL STUD/GYPSUM WALL WOOD STUD/GYPSUM WALL | #6 X 1 5/8" BUGLE HEAD SMS | N/A | N/A | 90H079002 |

Hughesville, PA | 800.233.8493 | 570.546.5941
 Mississauga, ON | 888.895.8955 | 905.274.3611
www.c-sgroup.com
 © Copyright 2018 Construction Specialties, Inc.

| | |
|-----------|-----------|
| PROJECT: | REVISION: |
| JOB NO.: | F&F: |
| CUSTOMER: | |
| REP: | DATE: |
| DRAWN BY: | SHEET NO: |