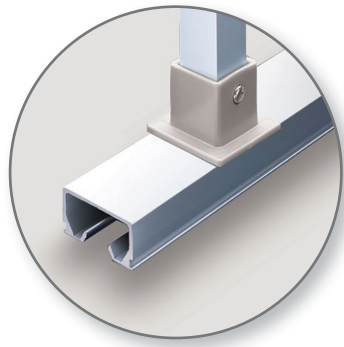


# Standard Track



[Learn More](#) →



Our 6062 model is a standard dual-channel extruded aluminum cubicle track. Regardless of application, CS tracks are built to last.

## Advantages

- Manufactured from high-quality extruded aluminum 6063-T5
- Can be straight or radiused
- Surface or suspended mount
- Smooth, snag-free operation for easy use
- Customizable to meet specific project requirements

## Applications

- Patient rooms
- Emergency rooms
- Isolation areas
- Clinical areas
- Senior living

## Warranty

- One-Year Manufacturer's Warranty

## Product Details

- 1 3/8" (34.93mm) wide x 3/4" (19.05mm) high
- .060" (1.52mm) thickness
- Continuous radiused bends available in 36" (914.4mm) & up
- Radius bends of 12" (304.8mm), 18" (457.2mm), 24" (609.6mm), and 30" (762mm) available
- Suspended track mount available up to 20' (6.09m) high

## Finish Options

- One-Year Manufacturer's Warranty



Anodized Aluminum



White Powder Coat

Custom powder coat options available.

Please refer to *Privacy Curtains + Track Accessories product sheet* for full list of options.

