

ALS & ALSW Series

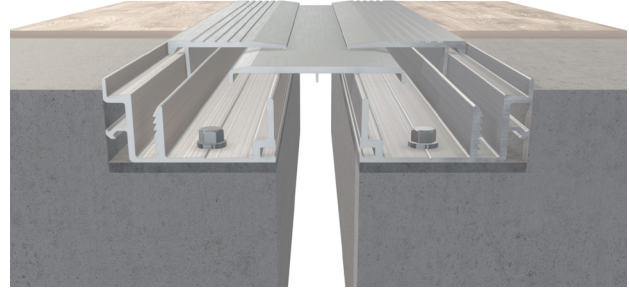
TECHNICAL DATA:

Aluminum

- Extrusion – CS uses multiple alloys & tempers which are established to be the most appropriate for the given use of individual parts. Will be one of the following: (6063-T5, T6, T52) (6061-T5, T6, T51) (6105-T5, T6) (6005-T5) (6005A-T5, T61), ASTM B221

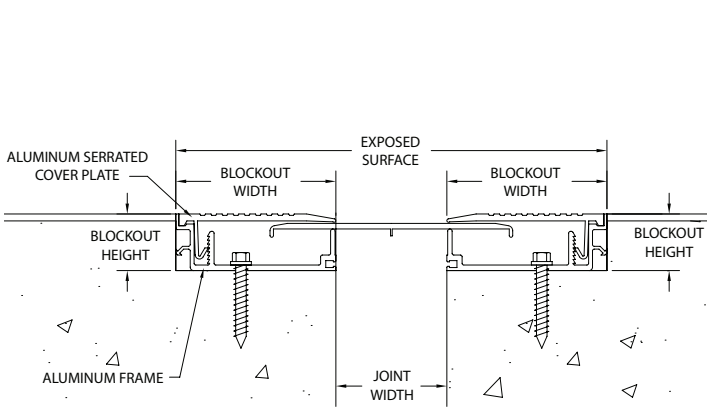
Standard Loading

- 500 lbs.

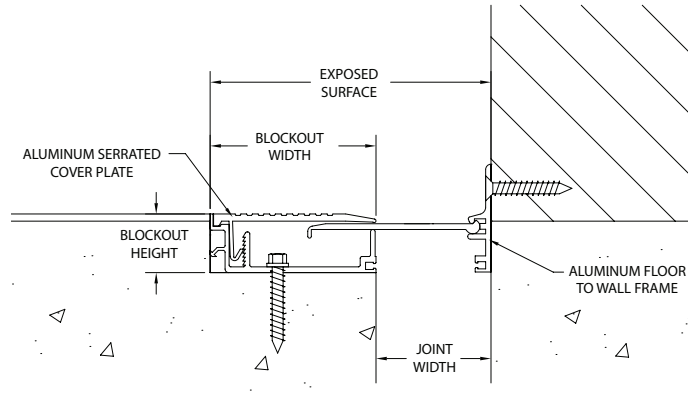


Capable of Lateral Movement

MODEL	JOINT WIDTH	MINIMUM OPENING	MAXIMUM OPENING	EXPOSED SURFACE	BLOCKOUT WIDTH	BLOCKOUT HEIGHT
ALS-100	1.00" (25mm)	0.00" (0mm)	2.25" (57mm)	5.00" (127mm)	2.00" (51mm)	1.00" (25mm)
ALS-200	2.00" (51mm)	0.00" (0mm)	4.00" (102mm)	7.75" (197mm)	2.88" (73mm)	1.00" (25mm)
ALS-300	3.00" (76mm)	0.88" (22mm)	6.00" (152mm)	10.75" (273mm)	3.88" (99mm)	1.00" (25mm)
ALS-400	4.00" (102mm)	0.88" (22mm)	7.00" (178mm)	11.75" (298mm)	3.88" (99mm)	1.00" (25mm)
ALSW-100	1.00" (25mm)	0.50" (13mm)	1.69" (43mm)	3.00" (76mm)	2.00" (51mm)	1.00" (25mm)
ALSW-200	2.00" (51mm)	1.00" (25mm)	3.00" (76mm)	4.88" (124mm)	2.88" (73mm)	1.00" (25mm)
ALSW-300	3.00" (76mm)	1.44" (37mm)	4.56" (116mm)	6.88" (175mm)	3.88" (99mm)	1.00" (25mm)
ALSW-400	4.00" (102mm)	2.44" (62mm)	5.50" (140mm)	7.88" (200mm)	3.88" (99mm)	1.00" (25mm)



ALS



ALSW