

PTCP & PTCPW

TECHNICAL DATA:

Aluminum

- Extrusion: CS uses multiple alloys & tempers which are established to be the most appropriate for the given use of individual parts. Will be one of the following: (6063-T5, T6, T52) (6061-T5, T6, T51) (6105-T5, T6) (6005-T5) (6005A-T5, T61), ASTM B221
- Sheet: 6061-T6, 3003 H14, 5005 H34, ASTM-B209.

Stainless Steel*

- Type 304 or 316 ASTM A666

Vapor Barrier

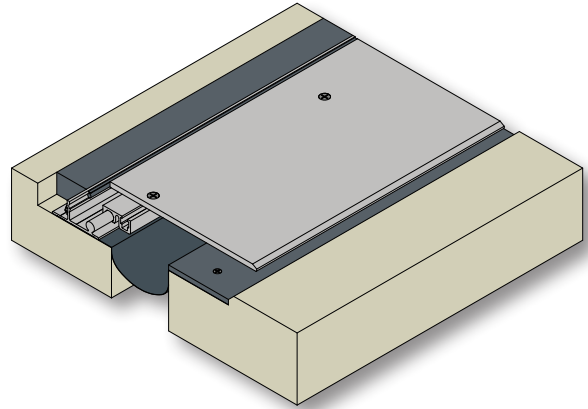
- Material: 7-Ply Polyethylene, ASTM-E-1745-11
- Color: Black
- 3" Tensile Strength: 275 lbs., ASTM-D-882
- Puncture Strength: 79 lbs., ASTM-D-4833
- PPT Resistance: 62 lbs., ASTM-D-2582

EPDM Spring

- Material: EPDM Durometer 60

Standard Loading

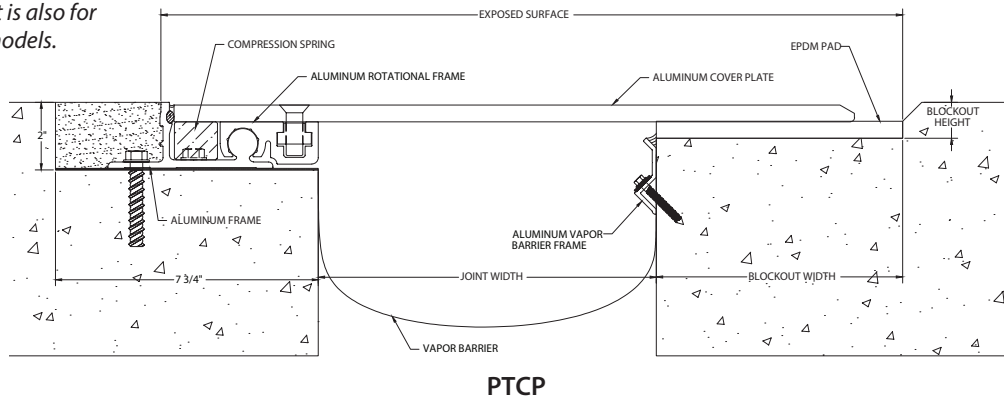
- Vehicular loading (3,000 lb. point load per IBC 2009)



MODEL	JOINT WIDTH	MINIMUM OPENING	MAXIMUM OPENING	EXPOSED SURFACE	BLOCKOUT WIDTH	BLOCKOUT HEIGHT
PTCP-600	6.00" (152mm)	0.63" (16mm)	9.50" (241mm)	15.63" (397mm)	5.00" (127mm)	1.06" (27mm)
PTCP-700	7.00" (178mm)	0.63" (16mm)	11.00" (279mm)	17.13" (435mm)	5.50" (140mm)	1.06" (27mm)
PTCP-800	8.00" (203mm)	0.63" (16mm)	12.50" (318mm)	18.63" (473mm)	6.00" (152mm)	1.06" (27mm)
PTCP-900	9.00" (229mm)	0.63" (16mm)	14.00" (356mm)	20.13" (511mm)	6.50" (165mm)	1.06" (27mm)
PTCP-1000	10.00" (254mm)	0.63" (16mm)	15.50" (394mm)	21.63" (549mm)	7.00" (178mm)	1.06" (27mm)
PTCP-1100	11.00" (279mm)	0.63" (16mm)	17.00" (432mm)	23.13" (588mm)	7.50" (191mm)	1.06" (27mm)
PTCP-1200	12.00" (305mm)	0.63" (16mm)	18.50" (470mm)	24.63" (626mm)	8.00" (203mm)	1.06" (27mm)
PTCP-1300	13.00" (330mm)	0.63" (16mm)	20.00" (508mm)	26.13" (664mm)	8.50" (216mm)	1.06" (27mm)
PTCP-1400	14.00" (356mm)	0.63" (16mm)	21.50" (546mm)	27.63" (702mm)	9.00" (229mm)	1.06" (27mm)
PTCP-1500	15.00" (381mm)	0.63" (16mm)	23.00" (584mm)	29.13" (740mm)	9.50" (241mm)	1.06" (27mm)
PTCP-1600	16.00" (406mm)	0.63" (16mm)	24.50" (622mm)	30.63" (778mm)	10.00" (254mm)	1.06" (27mm)

Contact factory for larger sizes.

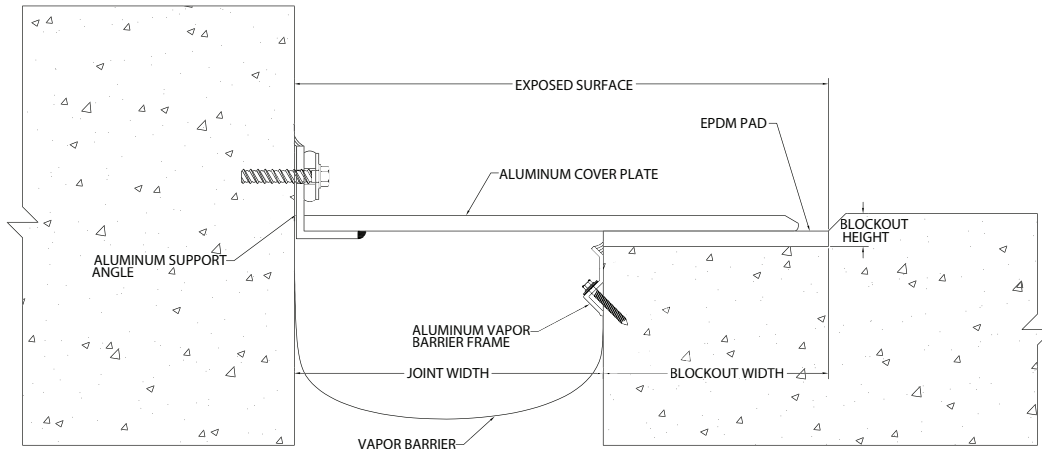
*Movement chart is also for Stainless Steel models.



PTCP & PTCPW

MODEL	JOINT WIDTH	MINIMUM OPENING	MAXIMUM OPENING	EXPOSED SURFACE	BLOCKOUT WIDTH	BLOCKOUT HEIGHT
PTCPW-600	6.00" (152mm)	0.63" (16mm)	9.50" (241mm)	11.00" (279mm)	5.00" (127mm)	1.06" (27mm)
PTCPW-700	7.00" (178mm)	0.63" (16mm)	11.00" (279mm)	12.50" (318mm)	5.50" (140mm)	1.06" (27mm)
PTCPW-800	8.00" (203mm)	0.63" (16mm)	12.50" (318mm)	14.00" (356mm)	6.00" (152mm)	1.06" (27mm)
PTCPW-900	9.00" (229mm)	0.63" (16mm)	14.00" (356mm)	15.50" (394mm)	6.50" (165mm)	1.06" (27mm)
PTCPW-1000	10.00" (254mm)	0.63" (16mm)	15.50" (394mm)	17.00" (432mm)	7.00" (178mm)	1.06" (27mm)
PTCPW-1100	11.00" (279mm)	0.63" (16mm)	17.00" (432mm)	18.50" (470mm)	7.50" (191mm)	1.06" (27mm)
PTCPW-1200	12.00" (305mm)	0.63" (16mm)	18.50" (470mm)	20.00" (508mm)	8.00" (203mm)	1.06" (27mm)
PTCPW-1300	13.00" (330mm)	0.63" (16mm)	20.00" (508mm)	21.50" (546mm)	8.50" (216mm)	1.06" (27mm)
PTCPW-1400	14.00" (356mm)	0.63" (16mm)	21.50" (546mm)	23.00" (584mm)	9.00" (229mm)	1.06" (27mm)
PTCPW-1500	15.00" (381mm)	0.63" (16mm)	23.00" (584mm)	24.50" (622mm)	9.50" (241mm)	1.06" (27mm)
PTCPW-1600	16.00" (406mm)	0.63" (16mm)	24.50" (622mm)	26.00" (660mm)	10.00" (254mm)	1.06" (27mm)

*Movement chart is also for Stainless Steel models.



PTCPW