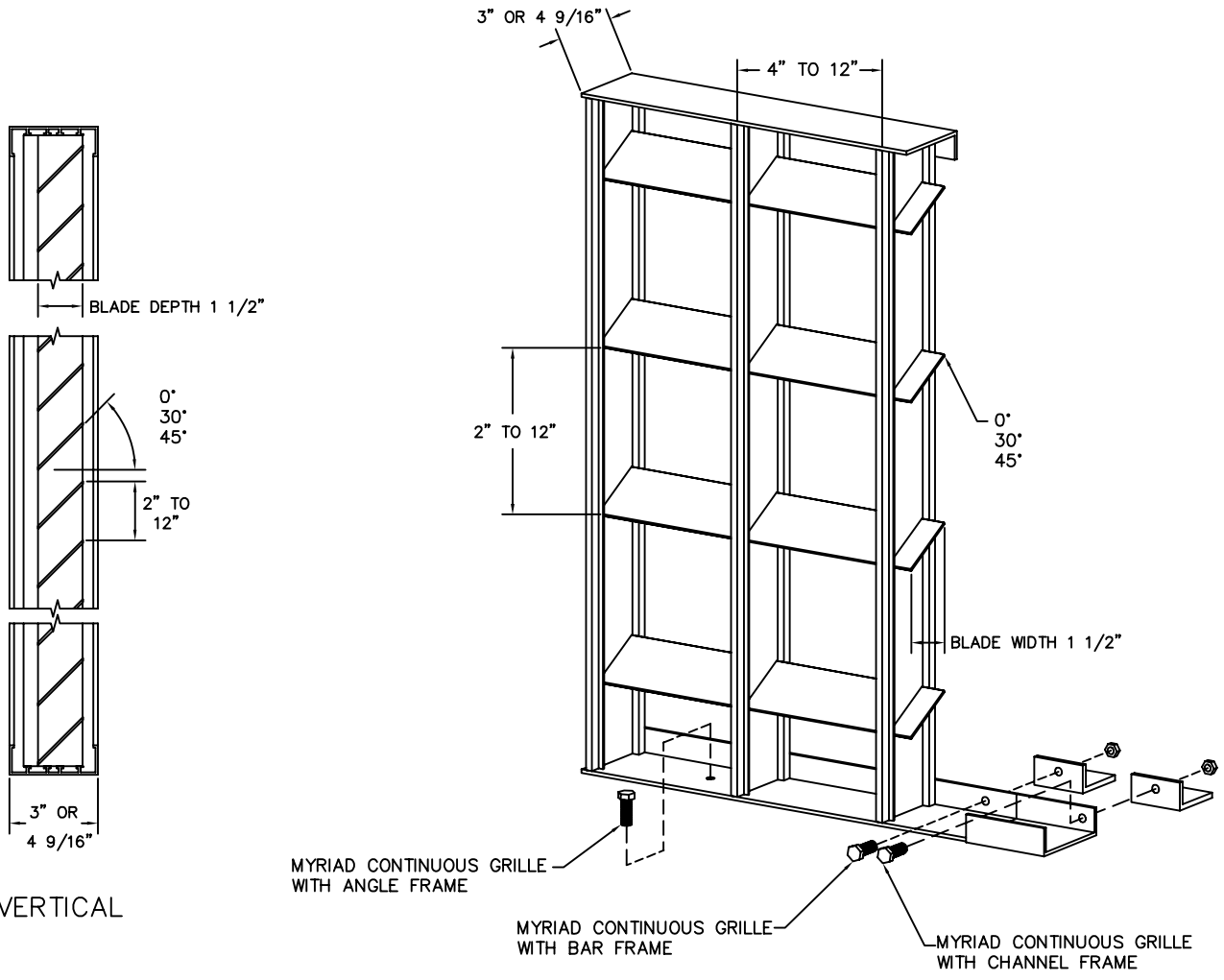
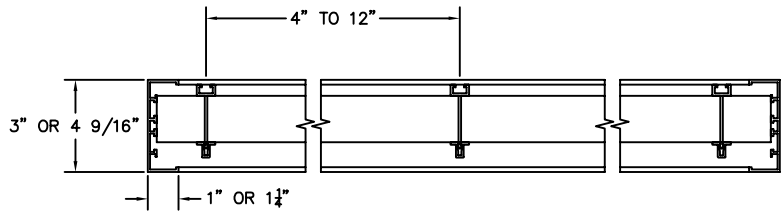


MYRIAD CONTINUOUS



VERTICAL

3D VIEW



PLAN VIEW

Revisions			Drawn By	Job:
No.	Date	By	Checked By	Cont'r.:
			Date Approv	Arch't:
			Scale	Agent:
			Date	CONSTRUCTION SPECIALTIES, INC. 49 MEeker AVENUE, CRANFORD, NEW JERSEY
				Sheet Of
				Drawing No.