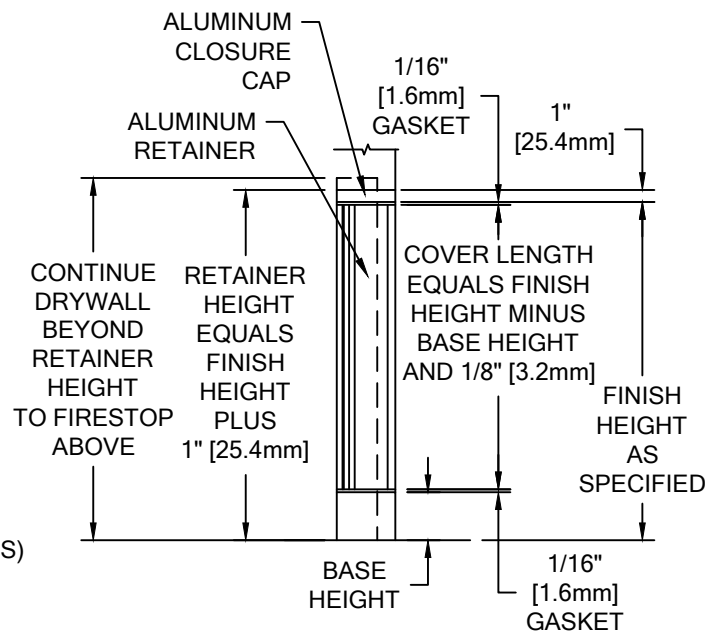


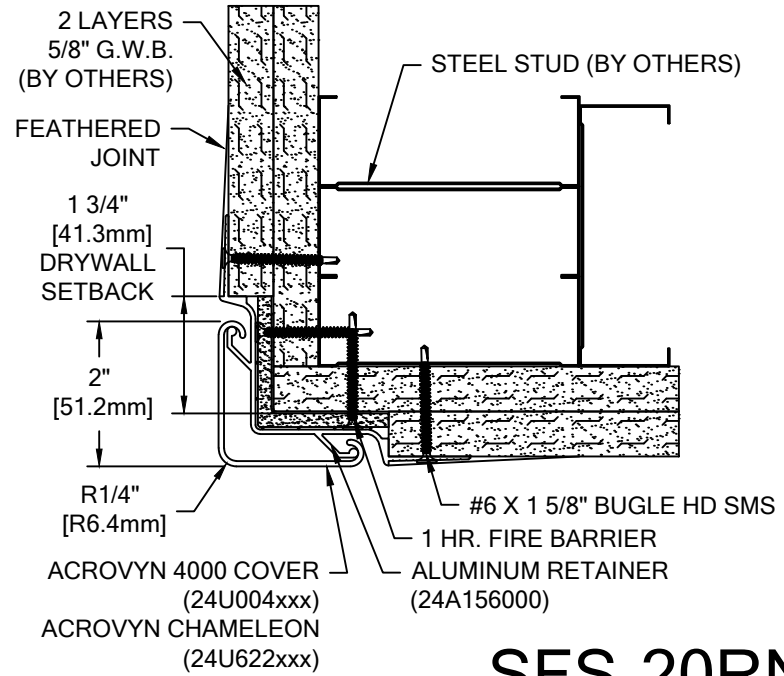
COLOR: _____
 CORNER GUARD: _____
 COLOR TO BE SELECTED FROM ONE OF CS STANDARD COLORS.

UNITS REQ'D	CEILING HEIGHT	RETAINER LENGTH	COVER LENGTH	BASE HEIGHT

NOTES:
 1. A MINIMUM 24 GA. CHANNEL STUD MUST BE SECURELY ANCHORED TOP AND BOTTOM TO INSURE POSITIVE ATTACHMENT OF ALUMINUM RETAINERS. IF TRUSS STUDS ARE USED, CHANNEL STUDS MUST BE USED AT CORNER.




FLUSH MOUNTED GUARD AT PARTIAL HEIGHT ELEVATION



SFS-20RN 2HR ACROVYN 4000

WALL CONDITION	SPECIFIED FASTENER	DRILL DIAMETERS		CS PART NUMBER
		WALL	RETAINER	
STEEL STUD/GYPSUM WALL FIRE BARRIER	#6 X 1 5/8" BUGLE HEAD SMS	N/A	N/A	90H079002

 Hughesville, PA 800.233.8493 570.546.5941 Mississauga, ON 888.895.8955 905.274.3611 www.c-sgroup.com © Copyright 2018 Construction Specialties, Inc.	PROJECT:	REVISION:
	JOB NO.:	F&F:
	CUSTOMER:	
	REP:	DATE:
	DRAWN BY:	SHEET NO: