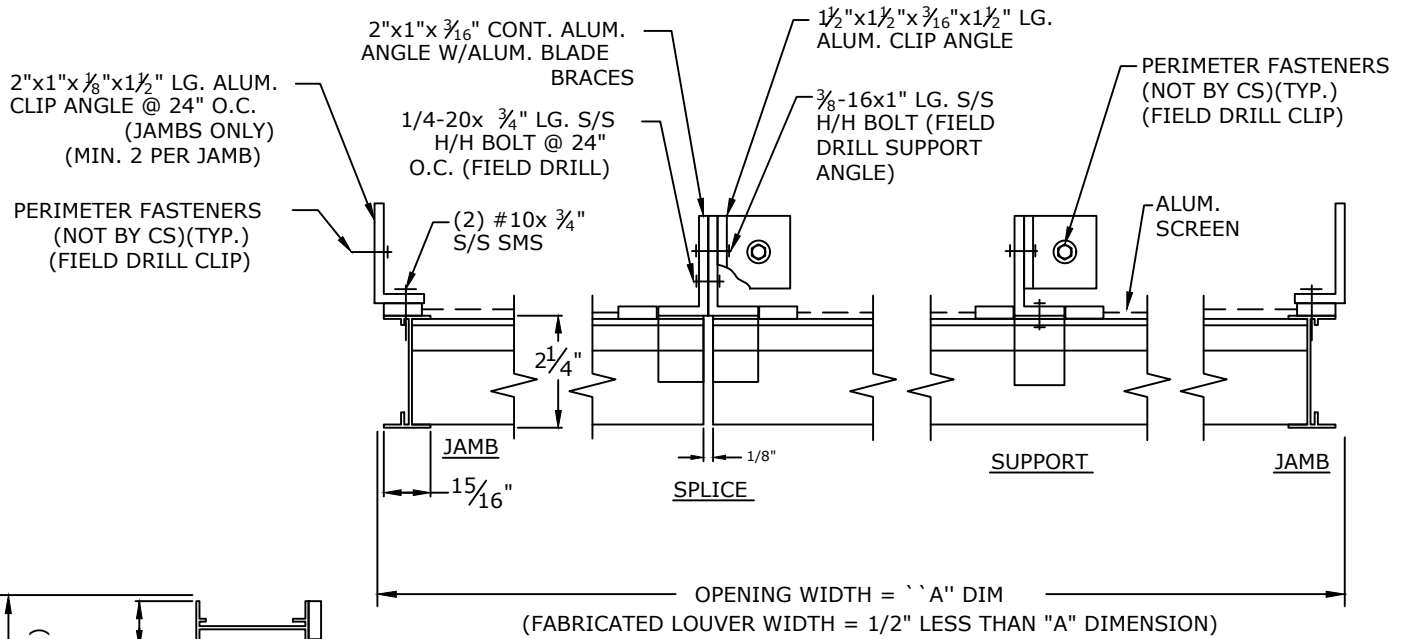
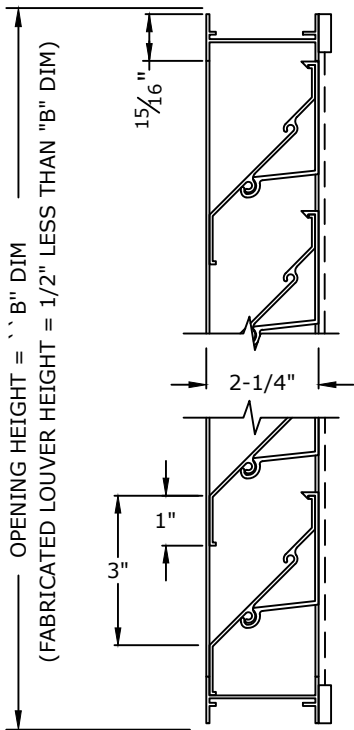


# THINLINE LOUVER MODEL 2252



### PLAN VIEW

NTS



### VERTICAL SECTION

NTS

#### SCREENS

- SCREEN NOT REQUIRED
- SCREEN REQUIRED
- INTERIOR MOUNTED
- EXTERIOR MOUNTED
- BIRDSCREEN: 1/2" MESH  
.063 DIA. ALUM. WIRE (MILL FINISH)
- INSECT SCREEN: 18x16  
ALUM. MESH (MILL FINISH)

#### FINISHES

- STANDARD MILL
- FLUOROPOLYMER POWDER COAT  
(NOT AVAILABLE IN 600XL OR 700)
- KYNAR (500),(600XL)or(700)
- (1) OF CS STD. COLORS
- CUSTOM COLOR, CS REQUIRES  
A COLOR CHIP FOR MATCHING
- BRONZE ANODIC (DARK OR MED.)
- CLEAR ANODIZE
- OTHER \_\_\_\_\_

CS EXTRUDED ALUMINUM THINLINE LOUVER MODEL 2252 WITH "A" FRAME. FRAME AND BLADES TO BE FABRICATED FROM 6063-T6 ALLOY. ALL FASTENERS TO BE STAINLESS STEEL.

UNSUPPORTED BLADE LENGTH = @ PSF.

MARK	QTY.	"A" DIM.	"B" DIM.	NUMBER OF SUPPORTS	NUMBER OF SPLICES	LOUVER LOCATION	REMARKS
							CHECKED BY:
<b>Construction Specialties, Inc.</b> 3 Werner Way Lebanon, New Jersey 08833 (800) 233-8493				PROJECT:		DRAWN BY:	
				CUSTOMER:		DATE:	
				ARCH'T:		DWG. NO:	
				AGENT:		SHEET OF	