

P-RSAN HANDRAIL

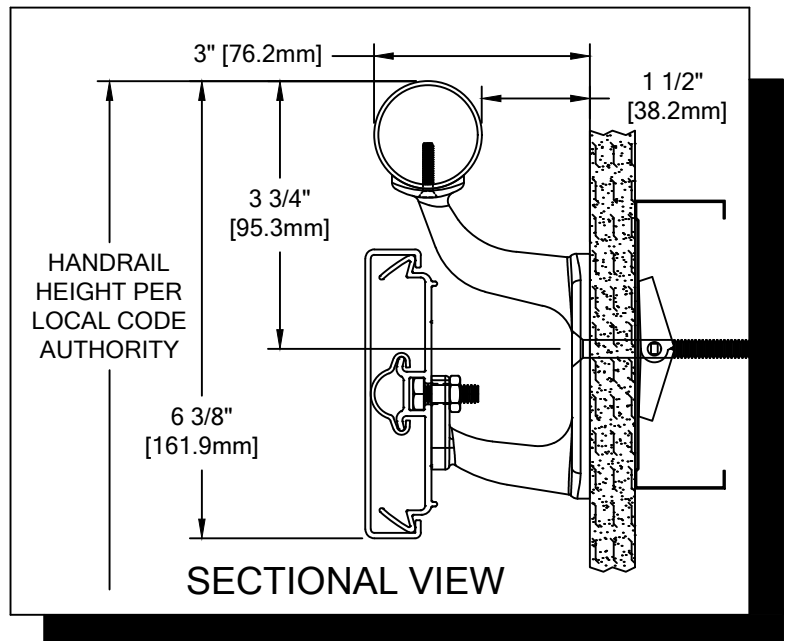
PLEASE READ

PLEASE READ THESE INSTRUCTIONS THOROUGHLY PRIOR TO BEGINNING THE P-RSAN HANDRAIL INSTALLATION!

THIS INSTRUCTION SHEET IS INTENDED TO PROVIDE A SPECIFIC GUIDE TO FOLLOW FOR THE INSTALLATION OF THIS P-RSAN HANDRAIL. CONTAINED WITHIN IS THE TECHNICAL INFORMATION AND INSTALLATION TECHNIQUES REQUIRED TO COMPLETE AN EFFICIENT, NEAT AND LONG-LASTING INSTALLATION.

INSPECT ALL MATERIALS FOR DAMAGE OR MISSING PARTS. IF YOU DISCOVER DAMAGED OR MISSING MATERIALS, IN THE USA PLEASE NOTIFY THE FACTORY AT (800) 233-8493, AND IN CANADA (888) 895-8955 FOR CUSTOMER SERVICE.

P-RSAN HANDRAIL MUST BE INSTALLED IN ACCORDANCE WITH THESE INSTRUCTIONS! FAILURE TO FOLLOW THESE INSTRUCTIONS MAY VOID ANY PRODUCT WARRANTIES AND RESULT IN AN UNSUCCESSFUL INSTALLATION. FOR SPECIFIC QUESTIONS REGARDING THE INSTALLATION OF THIS P-RSAN HANDRAIL PLEASE CALL THE FACTORY IN THE USA AT (800) 233-8493 OR EMAIL IWPTECHSUPPORT@C-SGROUP.COM. IN CANADA CALL (888) 895-8955.

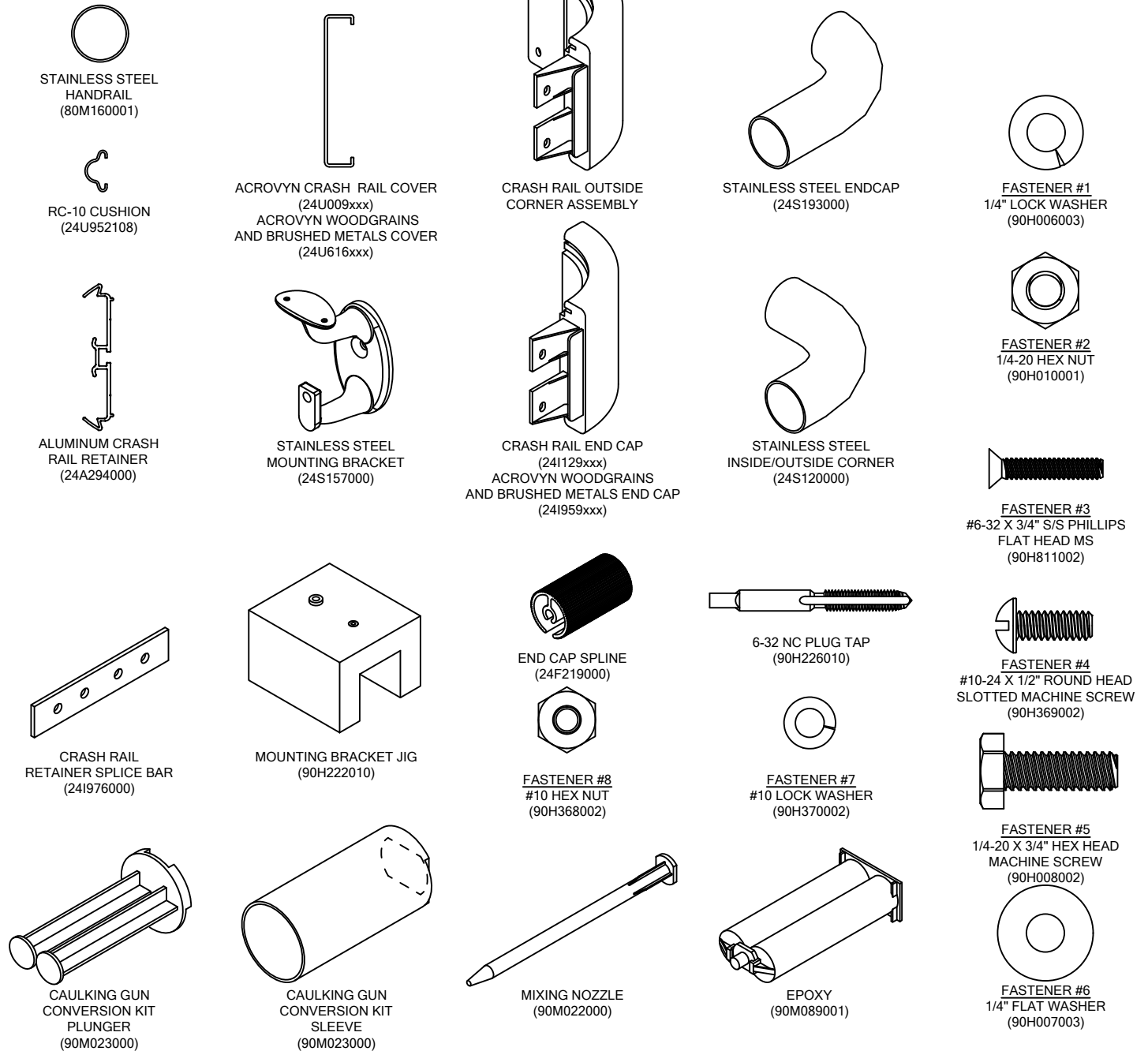


IMPORTANT NOTES

1. THIS HANDRAIL HAS BEEN MANUFACTURED TO CUSTOMER SPECIFIED DIMENSIONS AND CAN NOT BE CUT OR MODIFIED ON SITE. TO DO SO COULD VOID THE WARRANTY.
2. ALL DIMENSIONS ARE TYPICAL.
3. FOR DRYWALL/PLASTER WALL CONSTRUCTION, IT IS RECOMMENDED FOR FASTENERS TO BE ENGAGED INTO METAL/WOOD STUDS TO MAINTAIN MAXIMUM PULLOUT STRENGTH. IF DURING INSTALLATION YOU ENCOUNTER SPECIAL WALL CONDITIONS THAT DO NOT ALLOW FOR DIRECT ATTACHMENT TO THE STUDS PLEASE CONSULT THE LOCAL AUTHORITY HAVING JURISDICTION.
4. INSTALL OUTSIDE CORNERS FIRST.
5. INSTALL LONGEST RUN OF HANDRAIL FIRST.
6. ALUMINUM RETAINER SPLICE SHOULD NOT EXCEED 3" [76.2mm] DISTANCE FROM A BRACKET.
7. THE DISTANCE BETWEEN AN ACROVYN SPLICE JOINT AND AN ALUMINUM RETAINER SPLICE JOINT SHOULD NOT BE LESS THAN 12" [30.48mm]
8. MATERIAL MUST REACH 65°F MIN. TO 75°F MAX. 24 HOURS PRIOR TO INSTALLATION. THIS IS ESSENTIAL TO MINIMIZE EXPANSION AND CONTRACTION.
9. MAY REQUIRE USE OF FIRE PUTTY WHEN INSTALLED ON FIRE WALL WITH TOGGLE BOLTS. REFERENCE INSTRUCTIONS 24FIREPUTTY FOR FIRE PUTTY INSTALLATION.
10. THIS HANDRAIL REQUIRES A MINIMUM OF 2 MOUNTING BRACKETS PER UNIT. THE MINIMUM END CAP-TO-END CAP HANDRAIL LENGTH IS 14 1/4" [362mm].
11. FOR MORE INFORMATION ON P-RSAN HANDRAIL SEE OUR WEBSITE AT www.c-sgroup.com.

P-RSAN HANDRAIL

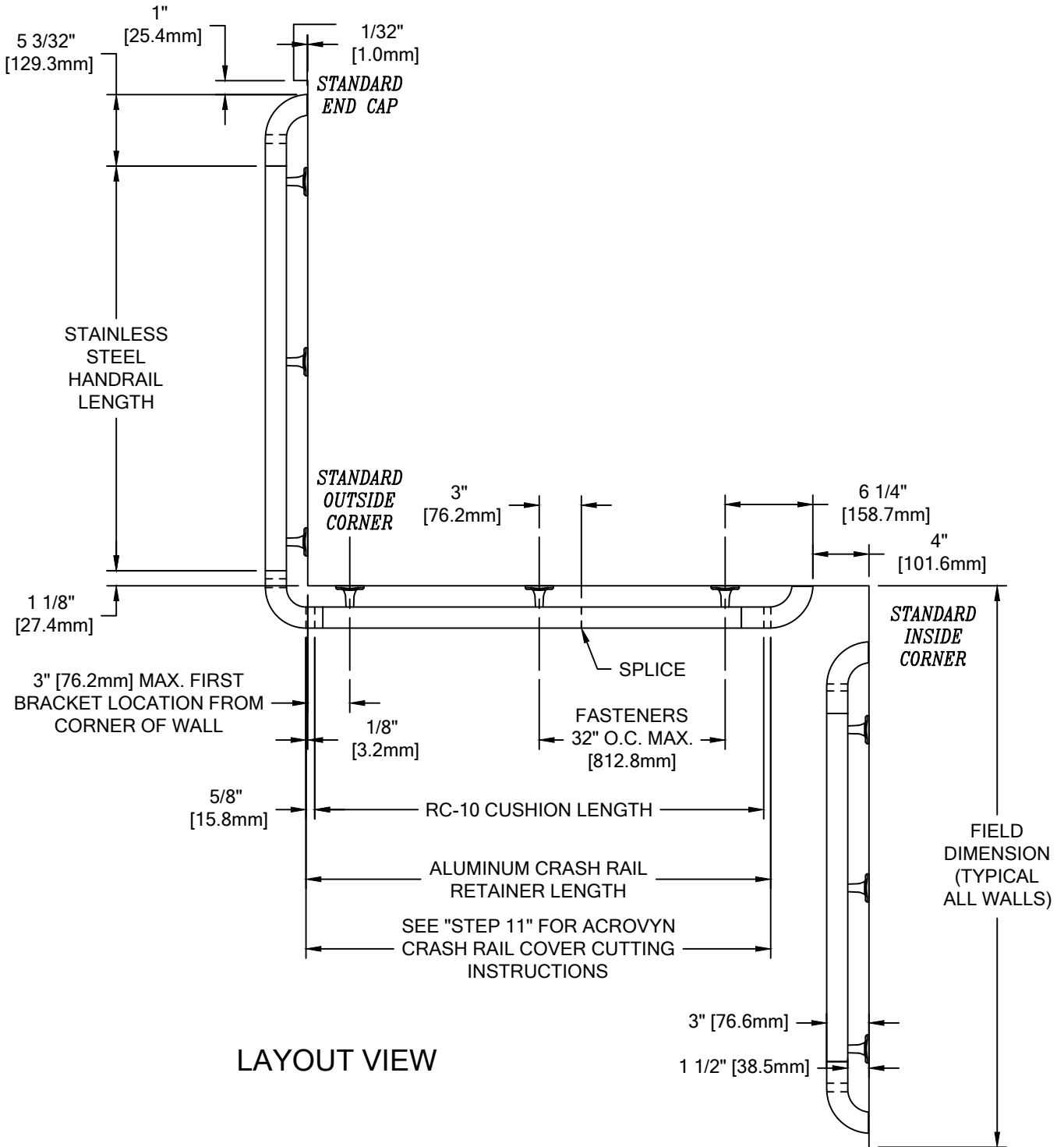
COMPONENTS & WALL FASTENERS



WALL CONDITION	SPECIFIED FASTENER	DRILL DIAMETERS		CS PART NUMBER
		WALL	RETAINER	
STEEL STUD/GYPSUM WALL	1/4-20 X 3" S/S FLAT HEAD BOLT WITH TOGGLE	3/4"	N/A	90H184002
CONCRETE/CONCRETE BLOCK	1/4" X 1 3/4" S/S FLAT HEAD MASONRY ANCHOR	3/16"	N/A	90H390000
WOOD STUD/GYPSUM WALL	#14 X 3" S/S PHILLIPS FLAT HEAD WOOD SCREW	7/32"	N/A	90H538004
16 GA. MIN STEEL STUD AND 16 GA. MIN STEEL STRAPPING / GYPSUM WALL CONSTRUCTION REQUIRED (TEK SCREWS)	#14 X 3" PHILLIPS FLAT HEAD SELF DRILLING S/S TEK SCREW	N/A	N/A	90H230003

P-RSAN HANDRAIL

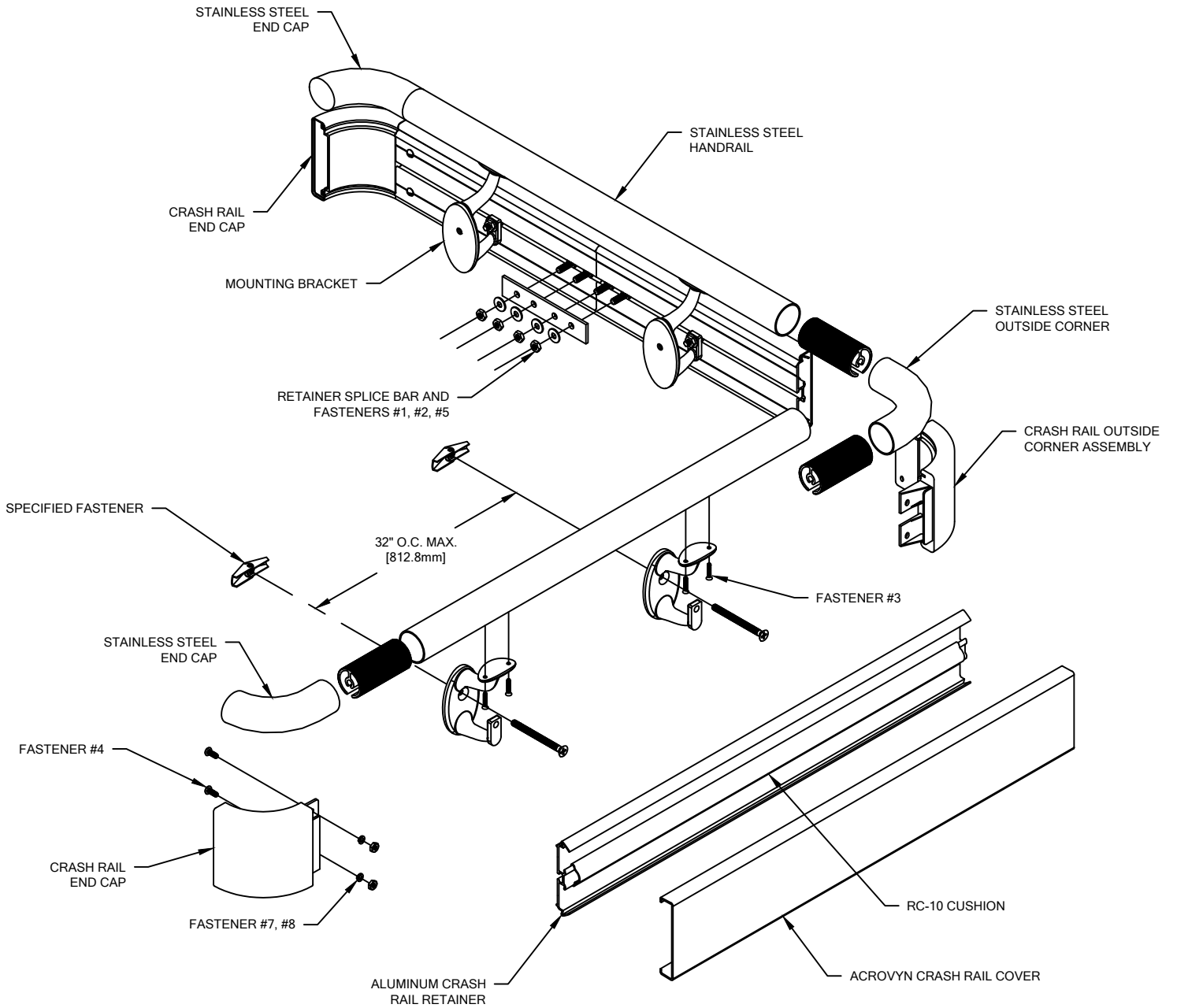
LAYOUT VIEW



LAYOUT VIEW

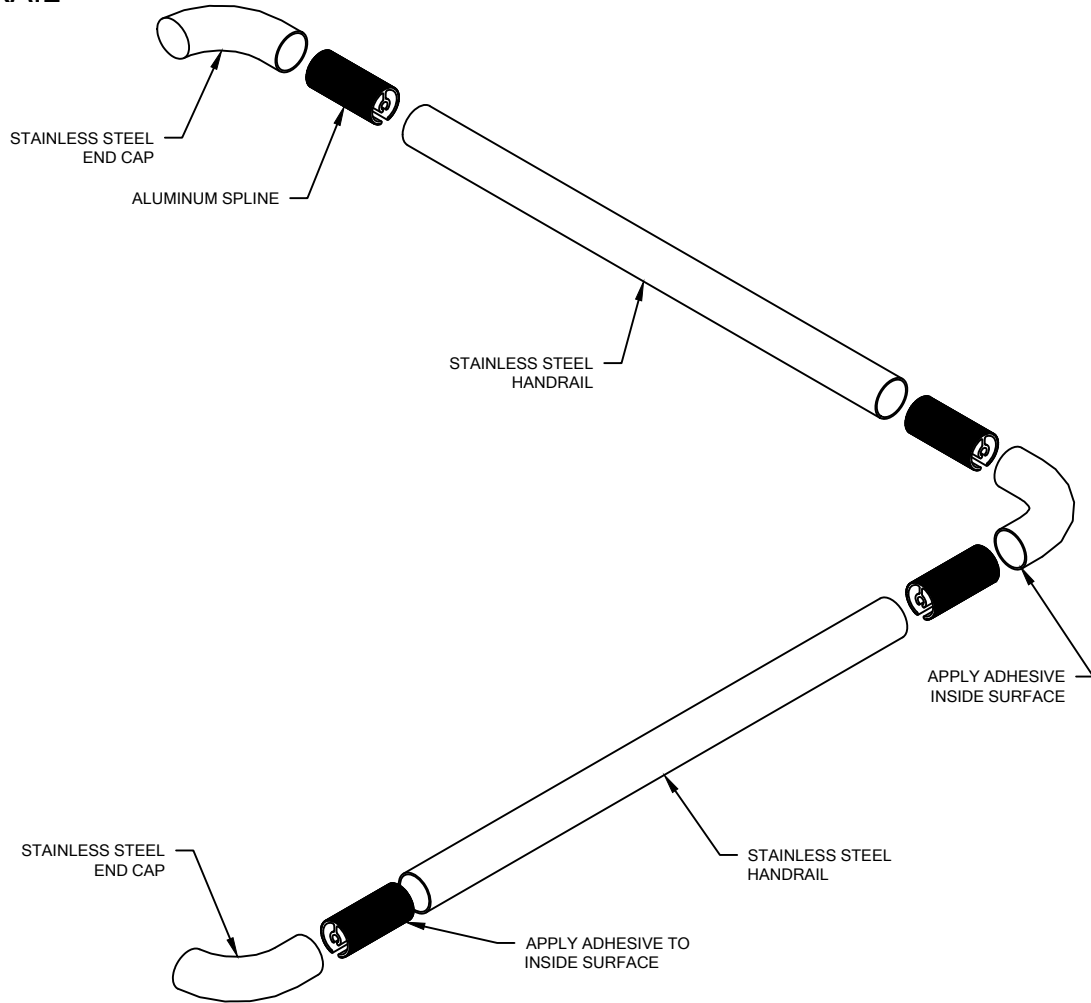
P-RSAN HANDRAIL

TYPICAL ASSEMBLY



P-RSAN HANDRAIL

TYPICAL ASSEMBLY

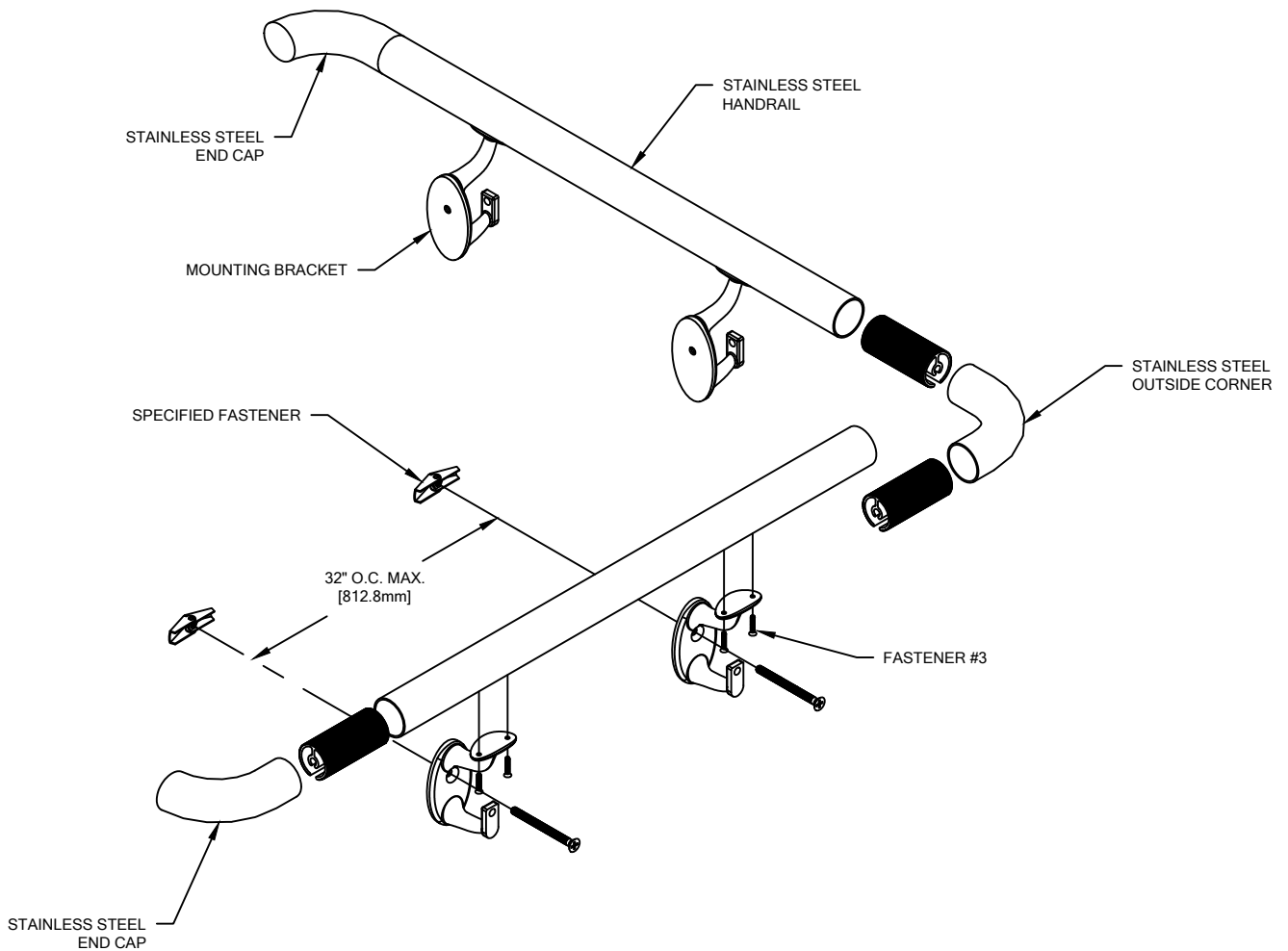


NOTE: THIS MATERIAL HAS BEEN MANUFACTURED TO CUSTOMER SPECIFIED DIMENSIONS AND CAN NOT BE CUT OR MODIFIED ON SITE. TO DO SO COULD VOID WARRANTY.

1. USING "LOCAL CODE" REQUIREMENTS, ESTABLISH HANDRAIL HEIGHT ABOVE FINISHED FLOOR. DEDUCT 3 3/4" [95.3mm] AND SNAP A CHALK LINE AT THAT HEIGHT. THIS MARKS THE LOCATION OF THE HOLE FOR THE MOUNTING BRACKET FASTENERS. REFER TO SECTIONAL VIEW.
2. DISTRIBUTE MATERIAL. MATCH THE NUMBER ON THE RAIL TO THE MARK NUMBER ON THE DRAWING. SOME LARGE RUNS REQUIRE MORE THAN ONE PIECE OF HANDRAIL. THESE ARE NOTED WITH A MARK NUMBER AND A LETTER, I.E., 2001A, 2001B.
3. ATTACH END CAPS AND/OR INSIDE/OUTSIDE CORNERS (A FLAT SURFACE IS REQUIRED):
 - TO PROTECT FINISHED SURFACES FROM ADHESIVE DURING ASSEMBLY APPLY MASKING TAPE TO END OF HANDRAIL'S SURFACE AND ALSO TO EXTERIOR SURFACE OF END CAP (OR INSIDE/OUTSIDE CORNER).
 - USING 100 GRIT SANDPAPER, SAND THE INTERIOR SURFACE OF THE HANDRAIL. CLEAN THE INTERIOR SURFACE OF HANDRAIL WITH ISOPROPYL (RUBBING) ALCOHOL.
 - DRY FIT THE ALUMINUM SPLINE BEFORE APPLYING ADHESIVE. THE ALUMINUM SPLINE SHOULD BE INSTALLED WITH 5/8" [15.8mm] OF THE ALUMINUM SPLINE PROTRUDING FROM THE END OF STAINLESS STEEL HANDRAIL.
 - ONCE TESTED, REMOVE AND APPLY 1/8" BEAD OF ADHESIVE TO SANDED, INTERIOR SURFACE (REFERENCE CAULKING GUN CONVERSION KIT FIGURES 3 & 4) AND PERMANENTLY ATTACH ALUMINUM SPLINE.
 - USING 100 GRIT SANDPAPER, SAND THE INTERIOR SURFACE OF THE END CAP (OR INSIDE/OUTSIDE CORNER). CLEAN THE INTERIOR SURFACE OF END CAP (OR INSIDE/OUTSIDE CORNER) WITH ISOPROPYL (RUBBING) ALCOHOL. APPLY 1/8" BEAD OF ADHESIVE TO SANDED, INTERIOR SURFACE.
 - THE ADHESIVE ONLY ALLOWS FOR 8 TO 12 MINUTES OF WORKING TIME. INSTALL END CAP (OR INSIDE/OUTSIDE CORNER) OVER ALUMINUM SPLINE. FOR A PROPER SEAM, STAINLESS STEEL END CAP (OR INSIDE/OUTSIDE CORNER) MUST BE TIGHTLY FITTED TO THE HANDRAIL. PARTS CAN BE HANDLED IN 1-1/2 HOURS AND WILL BE FULLY CURED AFTER 24 HOURS.
 - IF HANDRAIL SPLICE IS REQUIRED, INSTALL BEFORE SECOND END CAP.
 - INSTALL SECOND END CAP (OR INSIDE/OUTSIDE CORNER) AS PREVIOUSLY DESCRIBED. USING A FLAT SURFACE, ROTATE SECOND END CAP (OR INSIDE/OUTSIDE CORNER) UNTIL PARALLEL AND PROPERLY ORIENTED.

P-RSAN HANDRAIL

TYPICAL ASSEMBLY



4. ATTACH MOUNTING BRACKET ASSEMBLIES (A FLAT SURFACE IS REQUIRED)
 - REMOVE PACKAGING FROM STAINLESS STEEL HANDRAIL AND STAINLESS STEEL END CAPS (OR INSIDE/OUTSIDE CORNERS).
 - USING A FLAT SURFACE, ORIENT THE HANDRAIL (WITH END CAPS) UPSIDE DOWN.
 - DRILL PILOT HOLES IN BOTTOM SURFACE OF STAINLESS STEEL HANDRAIL AS PER MOUNTING BRACKET DRILL JIG INSTRUCTIONS (SEE FIGURE 2). MOUNTING BRACKETS ARE TO BE LOCATED AT A MAXIMUM OF 32" [812.8mm] O.C. AND NO LESS THAN 3" [76.2mm] FROM END OF STAINLESS STEEL HANDRAIL. CAUTION: BE SURE THE HANDRAIL DOES NOT ROTATE WHEN DRILLING PILOT HOLE.
 - BEFORE DRILLING CONSECUTIVE BRACKET LOCATIONS, INSERT A #36 DRILL BIT THROUGH MOUNTING BRACKET DRILL JIG AND INTO PILOT HOLE. THIS STEP WILL HELP ENSURE HANDRAIL DOES NOT ROTATE WHEN DRILLING FOR ADDITIONAL MOUNTING BRACKETS. A SECOND MOUNTING BRACKET DRILL JIG HAS BEEN PROVIDED TO DRILL FOR ADDITIONAL MOUNTING BRACKETS.
5. FASTEN THE STAINLESS STEEL HANDRAIL TO THE WALL BRACKETS IN SUCCESSION BY INSERTING TWO (2) #6-32 X 3/4" S/S PHILLIPS FLAT HEAD MACHINE SCREWS THROUGH THE UNDERSIDE OF THE BRACKET INTO THE STAINLESS STEEL HANDRAIL.
6. USE ASSEMBLED HANDRAIL AS A TEMPLATE TO DRILL CLEARANCE HOLES IN WALL SURFACE FOR MOUNTING HARDWARE BY LINING UP MOUNTING HOLE OF MOUNTING BRACKET WITH CHALK LINE.
7. ATTACH ENTIRE ASSEMBLY TO THE WALL USING APPROPRIATE FASTENERS. CAUTION: OVER TORQUEING MAY CAUSE DAMAGE TO THREADS.

P-RSAN HANDRAIL

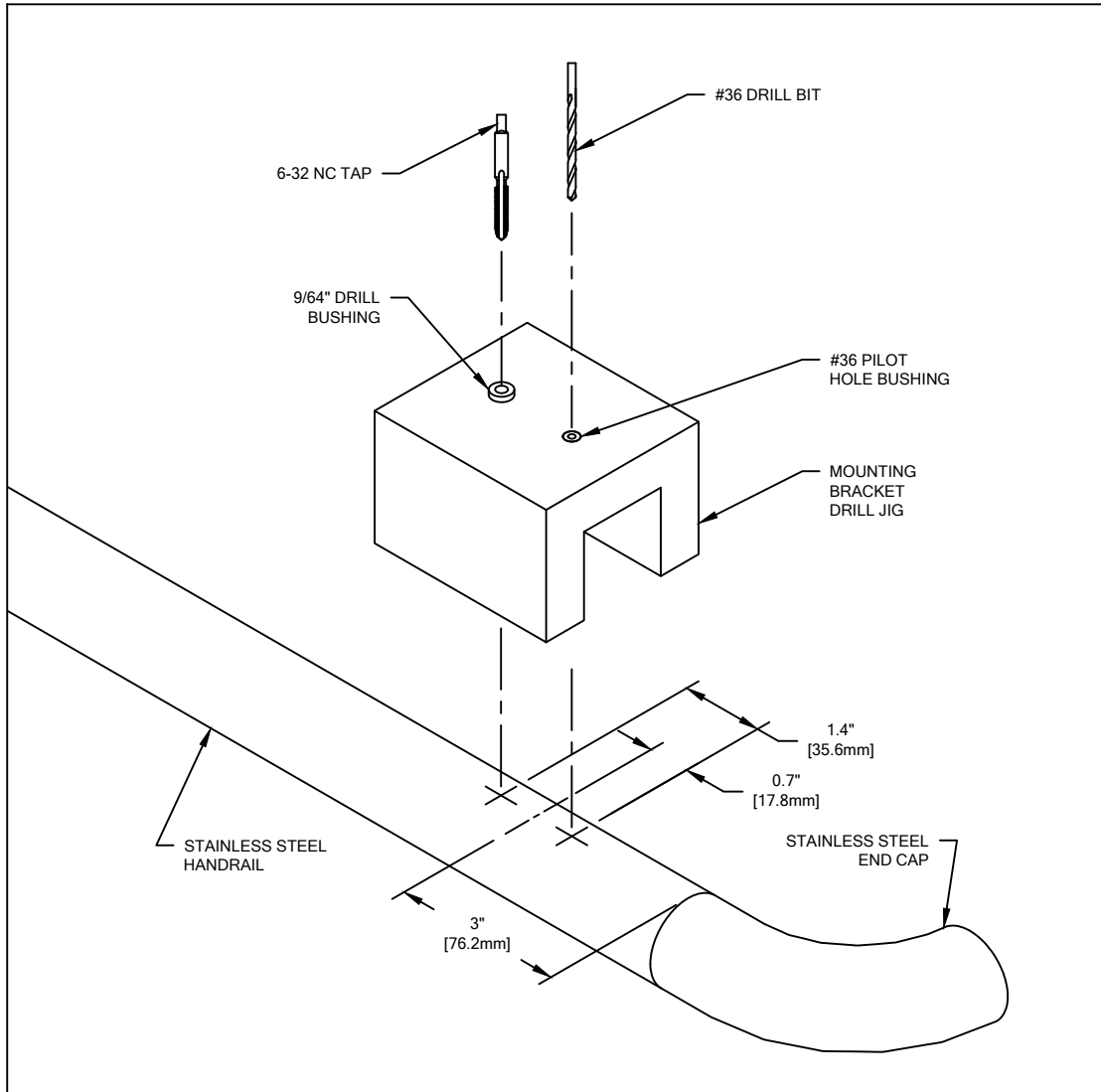


FIGURE 2.
MOUNTING BRACKET DRILL JIG

MOUNTING BRACKET DRILL JIG INSTRUCTIONS. REFER TO FIGURE 2.

1. PLACE HANDRAIL ON A FLAT WORKING SURFACE AND ROTATE UNTIL BOTTOM OF HANDRAIL IS FACING UPWARD.
2. POSITION DRILL JIG OVER STAINLESS STEEL HANDRAIL. THE DRILL JIG'S FEET MUST SIT FLAT ON LEVEL WORKING SURFACE. LOCATE CENTER OF #36 PILOT DRILL HOLE OVER CORRESPONDING LOCATION FOR MOUNTING BRACKET ASSEMBLY.
3. DRILL A #36 PILOT HOLES IN BOTTOM OF HANDRAIL.
4. POSITION TAP END OF MOUNTING BRACKET JIG OVER PREVIOUSLY DRILLED #36 PILOT HOLE. USE 9/64" DRILL BUSHING TO CORRECTLY THREAD PILOT HOLE WITH 6-32 NC TAP (PLUG CHAMFER TYPE RECOMMENDED).

P-RSAN HANDRAIL

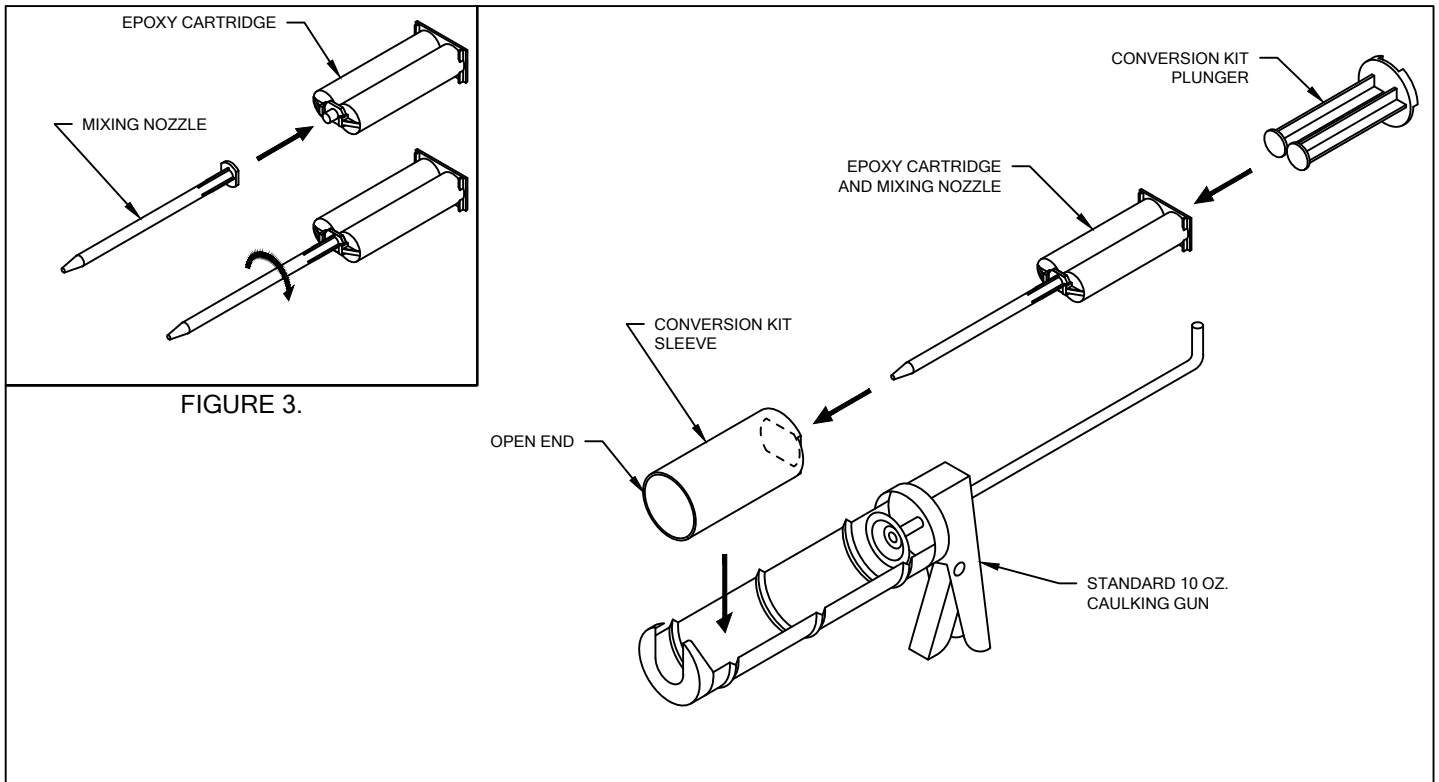


FIGURE 3.

FIGURE 4.

CAULKING GUN CONVERSION KIT

EPOXY CARTRIDGE AND MIXING NOZZLE. REFER TO FIGURE 3.

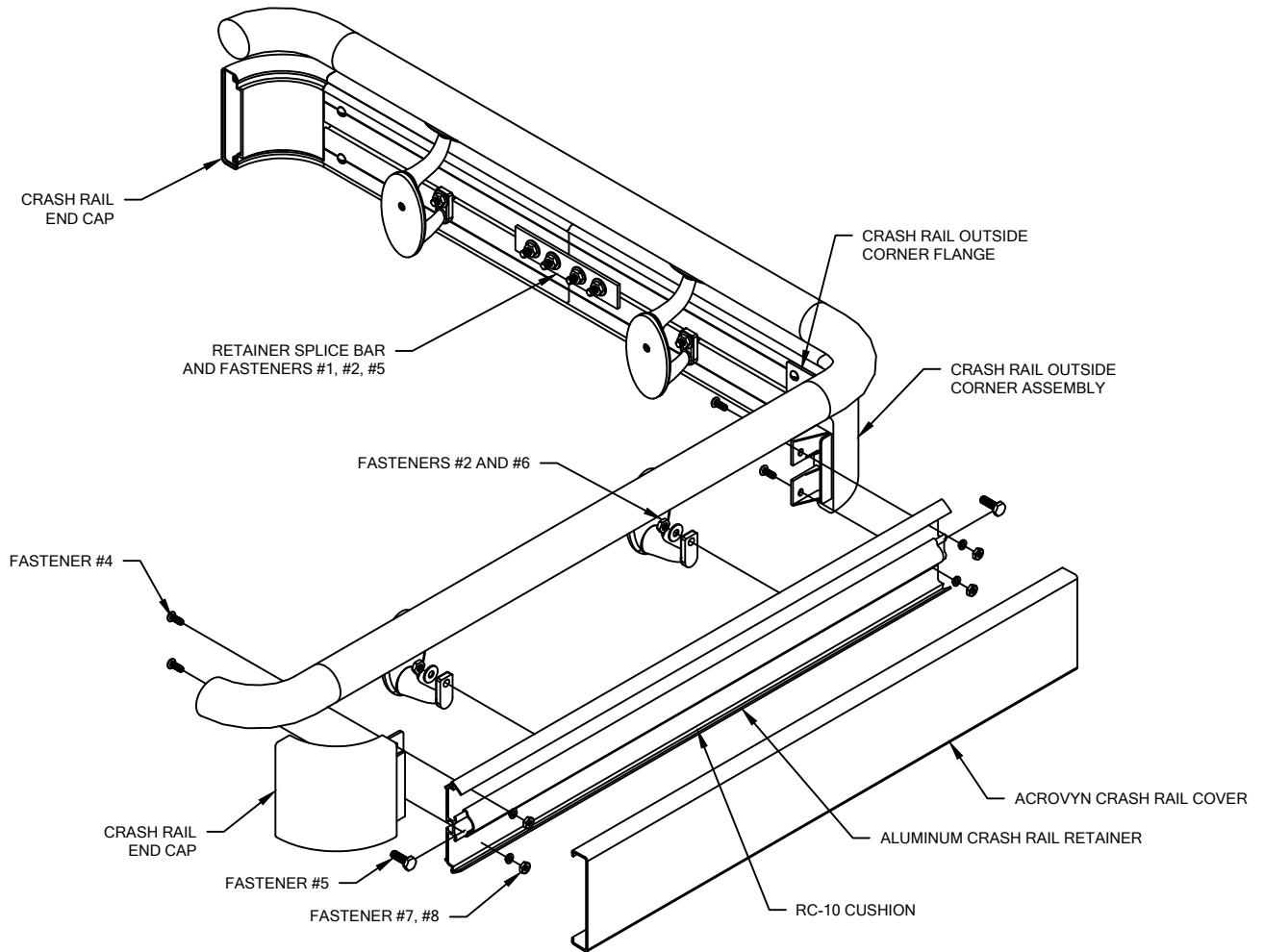
1. REMOVE CAP AND GASKET FROM THE END OF EPOXY CARTRIDGE BY TWISTING 90°.
2. INSTALL MIXING NOZZLE ON THE FRONT OF EPOXY CARTRIDGE AND LOCK IN PLACE BY TWISTING 90°.

CAULKING GUN CONVERSION KIT. REFER TO FIGURE 4.

1. INSERT EPOXY CARTRIDGE AND MIXING NOZZLE INTO OVAL OPENING OF SLEEVE. NOTE THE LOCATION OF OPEN END.
2. PLACE PLUNGER IN THE BACK END OF CARTRIDGE.
3. PLACE THE CONVERSION KIT, WITH MIXER NOZZLE AND EPOXY CARTRIDGE, IN A STANDARD 10 OZ CAULKING GUN AS SHOWN IN FIGURE 4. PLUNGER WILL ATTACH TO CIRCULAR PUSH PLATE ON CAULKING GUN.

P-RSAN HANDRAIL

TYPICAL CRASH RAIL ASSEMBLY



8. ATTACH CRASH RAIL END CAPS AND OUTSIDE CORNERS:

- SLIDE 1/4-20 x 3/4" HEX HEAD BOLTS IN THE RECEIVER SLOT OF THE CRASH RAIL RETAINER FOR ALL WALL BRACKETS.
- USE CRASH RAIL END CAP AS A TEMPLATE TO DRILL CLEARANCE HOLES IN RETAINER.
- ATTACH END CAP/OUTSIDE CORNERS BY SLIDING THE END CAP ONTO THE END OF THE ALUMINUM RETAINER AND SECURING INTO POSITION USING TWO (2) #10-24 X 1/2" RD HD SLOTTED MACHINE SCREW WITH LOCK WASHER AND #10 HEX NUT AT EACH END CAP AND FOUR (4) AT EACH OUTSIDE CORNER.

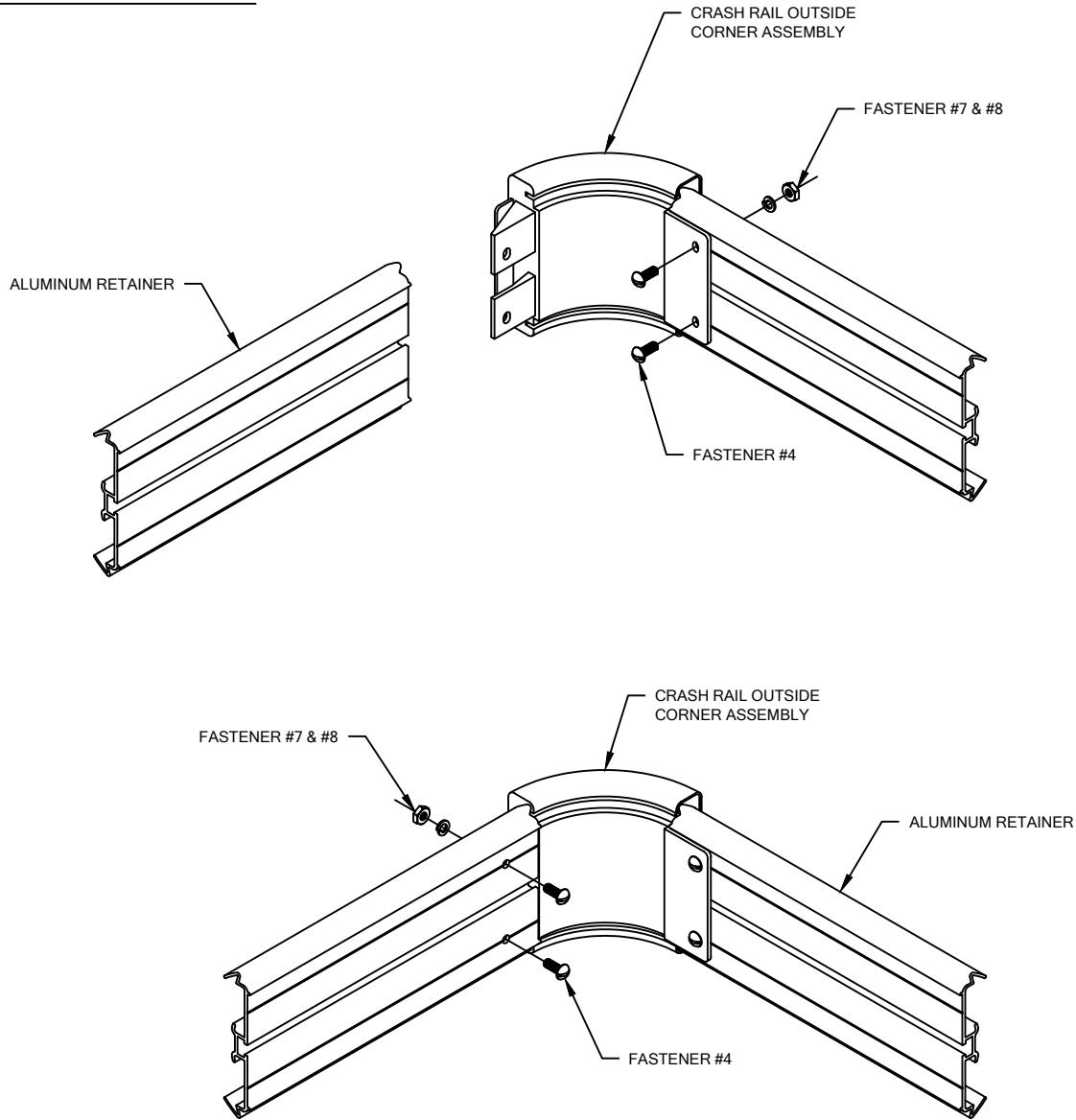
9. ATTACH THE ALUMINUM CRASH RAIL RETAINER TO THE WALL BRACKETS BY ALIGNING THE HEX HEAD BOLT WITH THE MOUNTING BRACKETS AND INSERTING THE HEX HEAD BOLT INTO THE MOUNTING BRACKET HOLE. PLACE A 1/4" FLAT WASHER AND 1/4-20 HEX NUT ONTO THE HEX HEAD BOLT AND TIGHTEN AS REQUIRED.

10. STARTING AT ONE END, SNAP THE ACROVYN COVER ONTO THE RETAINER ALONG THE LENGTH OF THE CRASH RAIL.

NOTE: MANUFACTURER RECOMMENDS ALL PRINTED "PRODUCT IDENTIFICATION" ON THE REAR OF THE ACROVYN PROFILE SHALL BE ORIENTED IN THE SAME DIRECTION DURING INSTALLATION TO ENSURE PROPER ALIGNMENT AT SPLICE BUTT JOINTS.

P-RSAN HANDRAIL

OUTSIDE CORNER ASSEMBLY



OUTSIDE CORNER INSTALLATION

1. ATTACH ALL OUTSIDE CORNERS:
 - USE OUTSIDE CORNER AS A TEMPLATE TO DRILL 7/32" PILOT HOLES IN RETAINER.
 - ATTACH OUTSIDE CORNERS BY SLIDING THE CORNER ONTO THE END OF THE ALUMINUM RETAINER AND SECURING INTO POSITION USING FOUR (4) #10-24 X 1/2" RD HD SLOTTED MACHINE SCREWS WITH LOCK WASHER AND #10 HEX NUT AT EACH OUTSIDE CORNER.

NOTE: SOLID PORTION OF OUTSIDE CORNER FLANGE MOUNTS TO THE BACK OF THE RETAINER WHILE THE SPLIT FLANGE MOUNTS TO THE INSIDE OF THE RETAINER. SEE ILLUSTRATION ABOVE.

02/02/2023