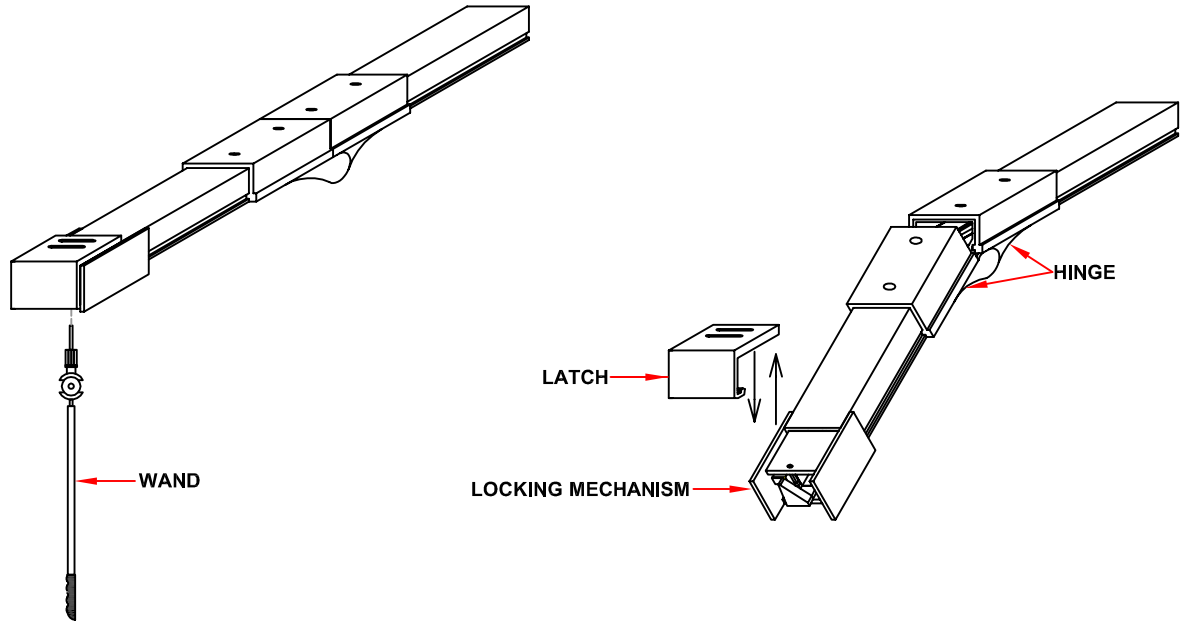
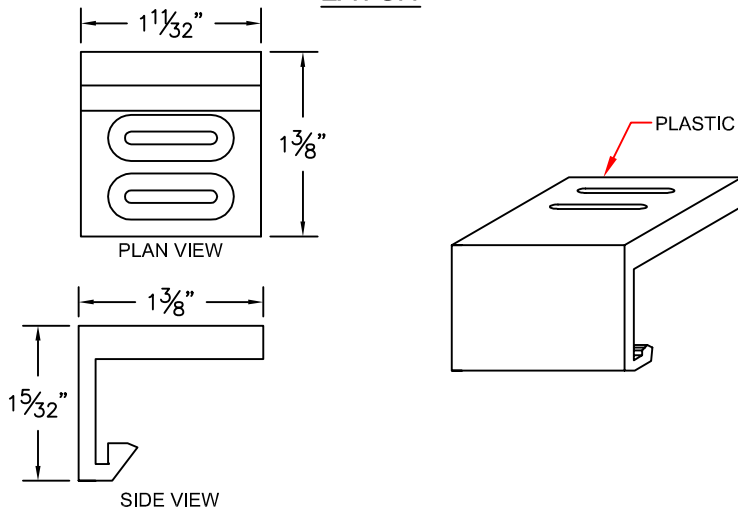


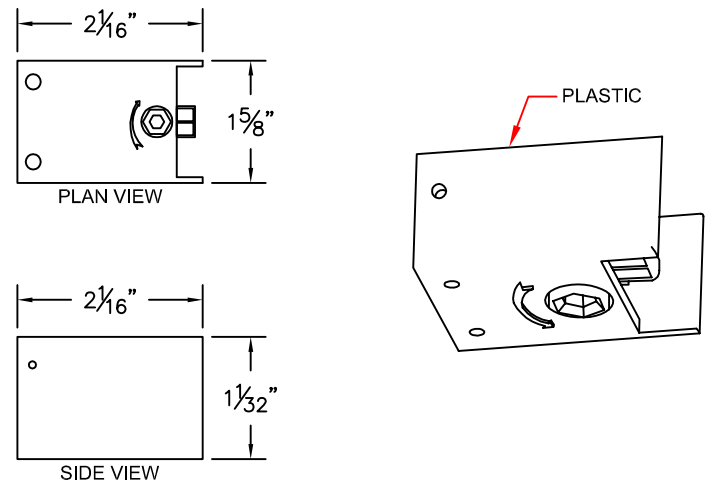
ASSEMBLY AND PARTS DETAIL FOR QWIK SWITCH™



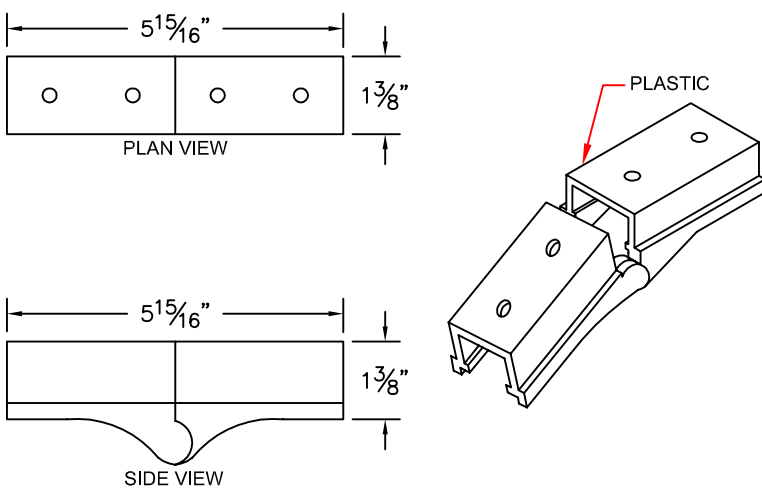
LATCH



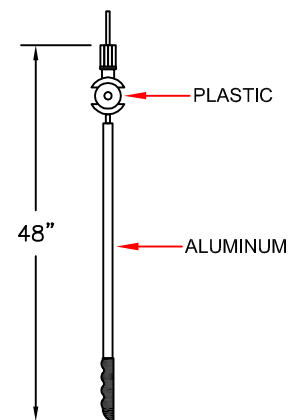
LOCKING MECHANISM



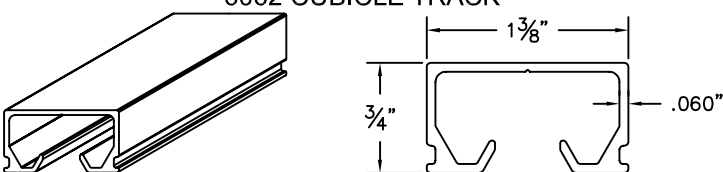
HINGE



WAND



6062 CUBICLE TRACK



DRAWING BY: CDL

DATE: 10/5/2016