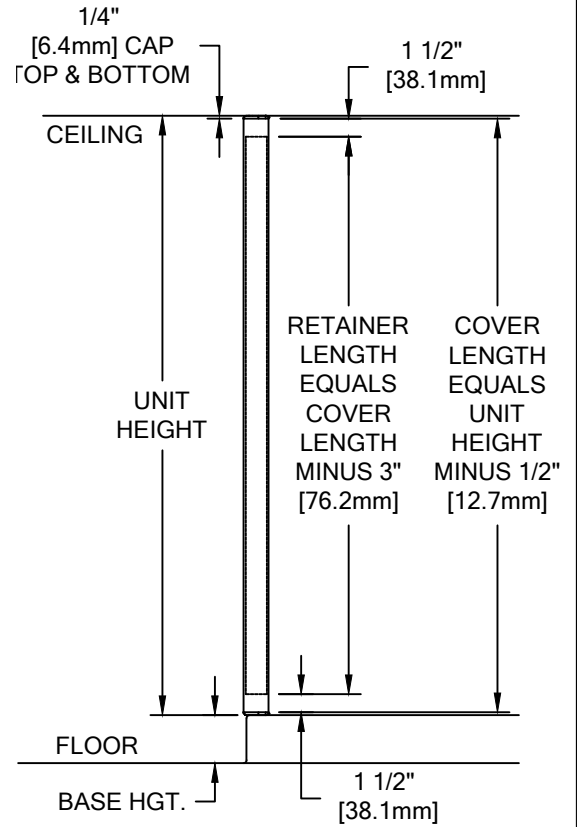
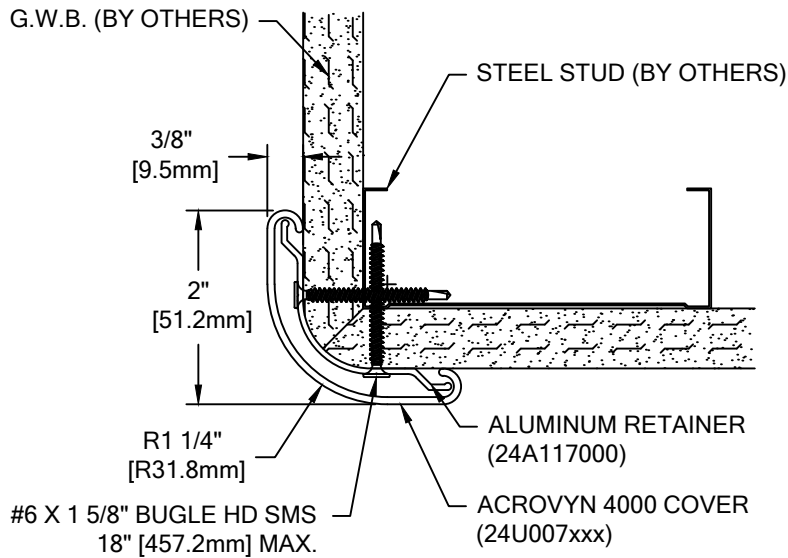


COLOR:
 CORNER GUARD:
 COLOR TO BE SELECTED FROM ONE OF CS STANDARD COLORS.


| QTY. REQ'D | UNIT HEIGHT |
|------------|-------------|
| | |
| | |
| | |



SURFACE MOUNTED GUARD
 AT FULL HEIGHT ELEVATION

SSM-10N ACROVYN 4000

| WALL CONDITION | SPECIFIED FASTENER | DRILL DIAMETERS | | CS PART NUMBER |
|------------------------|---|-----------------|----------|------------------------|
| | | WALL | RETAINER | |
| STEEL STUD/GYPSUM WALL | #6 X 1 5/8" BUGLE HEAD SMS | N/A | 7/64" | 90H079002 |
| WOOD STUD/GYPSUM WALL | #6 X 1 5/8" BUGLE HEAD SMS | N/A | 7/64" | 90H079002 |
| CONCRETE/CONC. BLOCK | AF-6 PLASTIC ANCHOR #10 X 1 1/2" PHILLIPS PAN HEAD SMS | 15/64" | 9/32" | 90H039004 90H189002 |

| | | |
|---|------------------|------------------|
|  Hughesville, PA 800.233.8493 570.546.5941 Mississauga, ON 888.895.8955 905.274.3611 www.c-sgroup.com © Copyright 2020 Construction Specialties, Inc. | PROJECT: | REVISION: |
| | JOB NO.: | F&F: |
| | CUSTOMER: | |
| | REP: | DATE: |
| | DRAWN BY: | SHEET NO: |