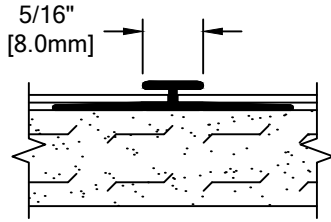


COLOR:

CLEAR ANODIZE IS STANDAR FOR FLAT AND RADIUS. COLOR ANODIZE OPTIONS FOR FLAT TRIM ARE: MEDIUM BRONZE ANODIZE AND BLACK ANODIZE.

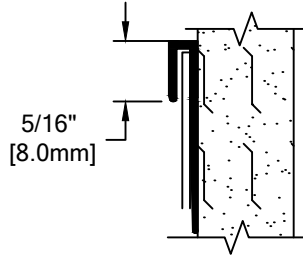
NOTES:

1. ALUMINUM SHEET TRIMS ARE 10'-0" STOCK LENGTH.
2. FIELD TRIM AS REQUIRED.



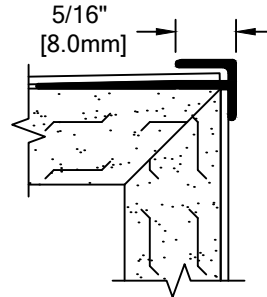
FLAT VERTICAL TRIM
(25A022XXX)

NO. REQ'D: @ 10' _____



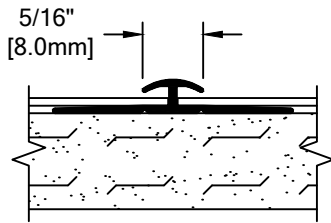
FLAT WAINSCOT TRIM
(25A023XXX)

NO. REQ'D: @ 10' _____



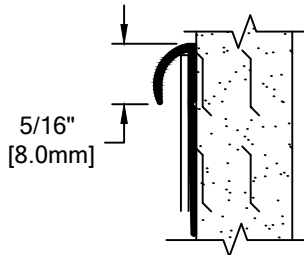
FLAT OUTSIDE CORNER TRIM
(25A025XXX)

NO. REQ'D: @ 10' _____



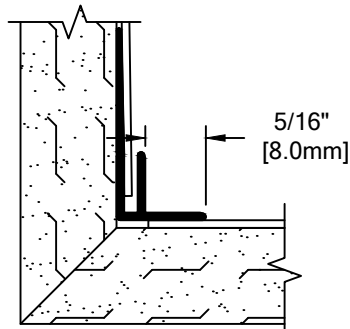
RADIUS VERTICAL TRIM
(25A034XXX)

NO. REQ'D: @ 10' _____



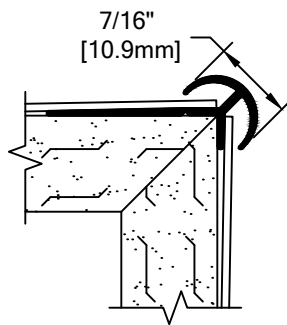
RADIUS WAINSCOT TRIM
(25A031XXX)

NO. REQ'D: @ 10' _____



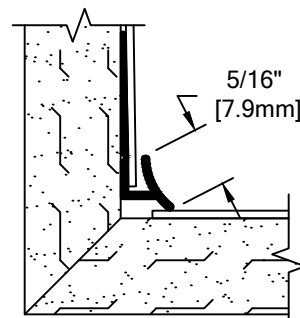
FLAT INSIDE CORNER TRIM
(25A024XXX)

NO. REQ'D: @ 10' _____




RADIUS OUTSIDE CORNER TRIM
(25A033XXX)

NO. REQ'D: @ 10' _____



RADIUS INSIDE CORNER TRIM
(25A032XXX)

NO. REQ'D: @ 10' _____

 <p>Construction Specialties™ Hughesville, PA 800.233.8493 570.546.5941 Mississauga, ON 888.895.8955 905.274.3611 www.c-sgroup.com © Copyright 2017 Construction Specialties, Inc.</p>	PROJECT:	REVISION:
	JOB NO.:	F&F:
	CUSTOMER:	
	REP:	DATE:
	DRAWN BY:	SHEET NO: