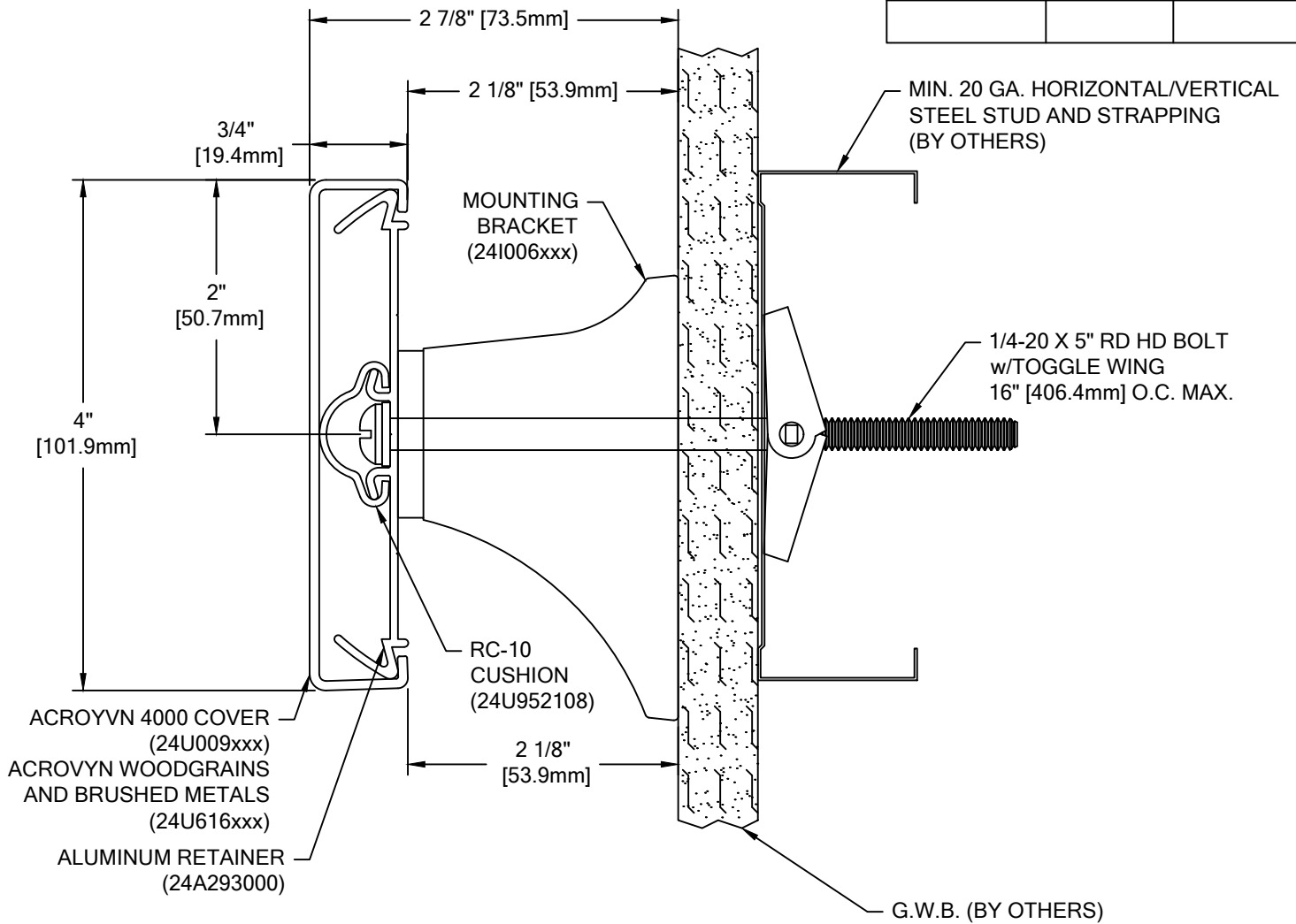



COLOR: \_\_\_\_\_  
 CRASH RAIL: \_\_\_\_\_  
 COLOR TO BE SELECTED FROM ONE OF CS STANDARD COLORS.

TOTAL L/F REQ'D	END CAPS	O.S.C. REQ'D



## ECR-40N ACROVYN 4000

WALL CONDITION	SPECIFIED FASTENER	DRILL DIAMETERS		CS PART NUMBER
		WALL	RETAINER	
CONCRETE/CONCRETE BLOCK	#14 X 5" ROUND PAN HEAD ALL-PURPOSE SCREW 1/4" FLAT WASHER STEEL PLATED SAE	7/32"	9/32"	90H287002 90H101002
STEEL STUD/GYPSUM WALL	1/4-20 X 5" ROUND HEAD BOLT/TOGGLE WING 1/4" FLAT WASHER STEEL PLATED SAE	3/4"	9/32"	90H049002 90H101002
WOOD STUD/GYPSUM WALL	#14 X 5" ROUND PAN HEAD ALL-PURPOSE SCREW 1/4" FLAT WASHER STEEL PLATED SAE	7/32"	9/32"	90H287002 90H101002

 Hughesville, PA   800.233.8493   570.546.5941 Mississauga, ON   888.895.8955   905.274.3611 <a href="http://www.c-sgroup.com">www.c-sgroup.com</a> © Copyright 2016 Construction Specialties, Inc.	<b>PROJECT:</b>	<b>REVISION:</b>
	<b>JOB NO.:</b>	<b>F&amp;F:</b>
	<b>CUSTOMER:</b>	
	<b>REP:</b>	<b>DATE:</b>
	<b>DRAWN BY:</b>	<b>SHEET NO:</b>