

HELIX MODEL Z2

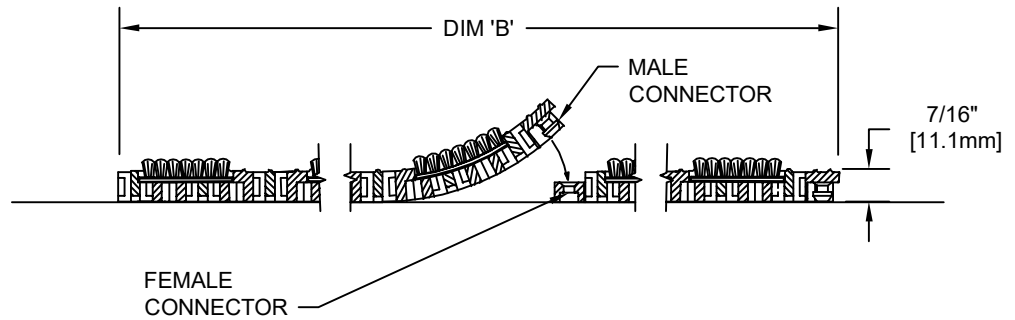
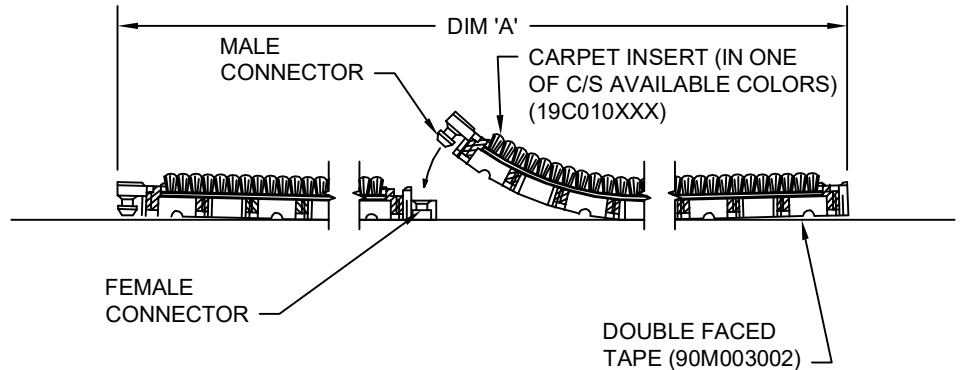
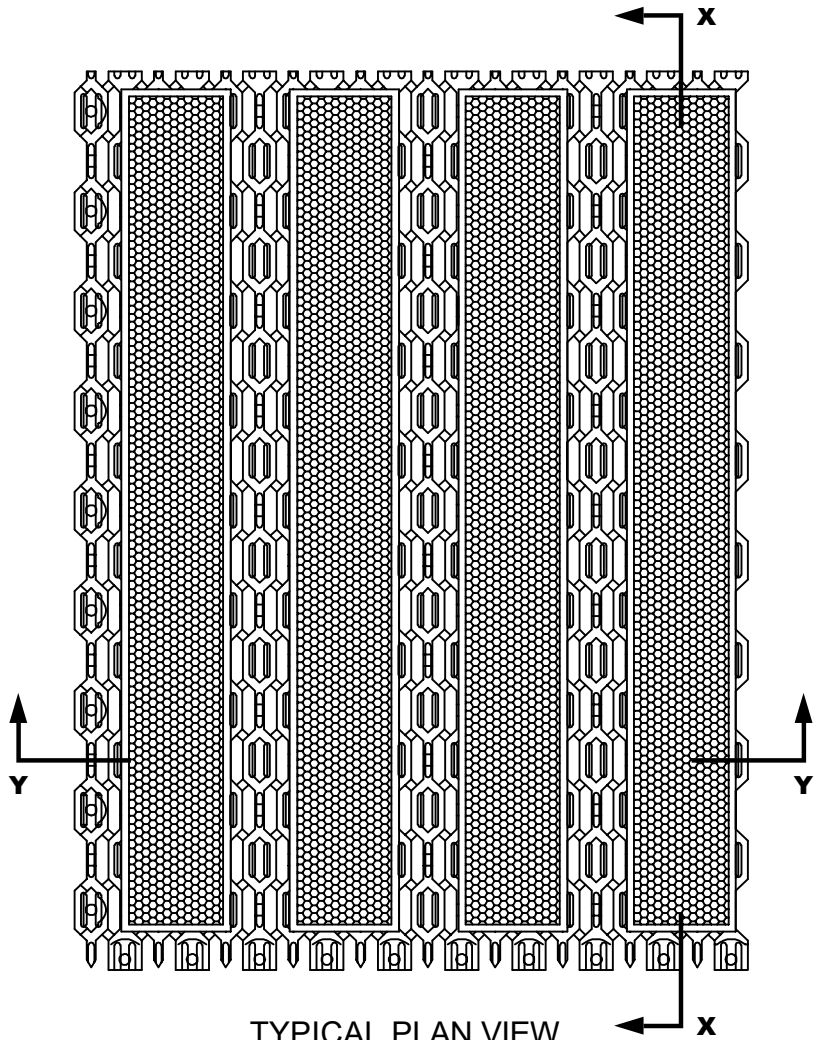
INSERT STYLE: Z2

INSERT COLOR:

CATALOG NUMBER: HZ2

PART NUMBER: 18I004XXX

NO.	REVISION	DATE	BY
NO.	F&F RELEASE	DATE	BY



NOTES:

\*SUPPLIED IN 3' X 3' OR 4' X 3' MODULES TO SPEED FIELD ASSEMBLY. OPTIONAL SINGLE TILE BOXES (60 TILES) ARE AVAILABLE.

\*HELIX Z2 IS ABLE TO SUPPORT A 600 LB ROLLING LOAD.

\*ADDITIONAL SPECIFICATIONS ARE CONTAINED IN THE LATEST C/S CATALOG OR AT C-SGROUP.COM AND ARE CONSIDERED PART OF THIS TRANSMITTAL.

\*INDIVIDUAL TILES MEASURE 12" WIDE BY 9" IN LENGTH.

\*THIS DETAIL IS TO BE USED ONLY WHEN THE OVERALL WIDTH OF THE UNIT IS EVENLY DIVISIBLE BY 12" AND THE OVERALL LENGTH IS EVENLY DIVISIBLE BY 9". OTHERWISE USE THE Z2 WITH A Z1 BORDER.

**CS Construction Specialties™**  
 6696 Route 405 Highway, Muncy PA 17756  
 (800) 233-8493 Fax (570) 546-4692 www.c-sgroup.com

PLEASE VERIFY ALL	QTY	MARK #	LOCATION	MODEL	DIM 'A' WIDTH	DIM 'B' LENGTH	MAT COLOR	FRAME FINISH

PROJECT:		
LOCATION:		
CONTRACTOR:		
AGENT:		SHT:
DRG. BY:	DATE:	JOB NO