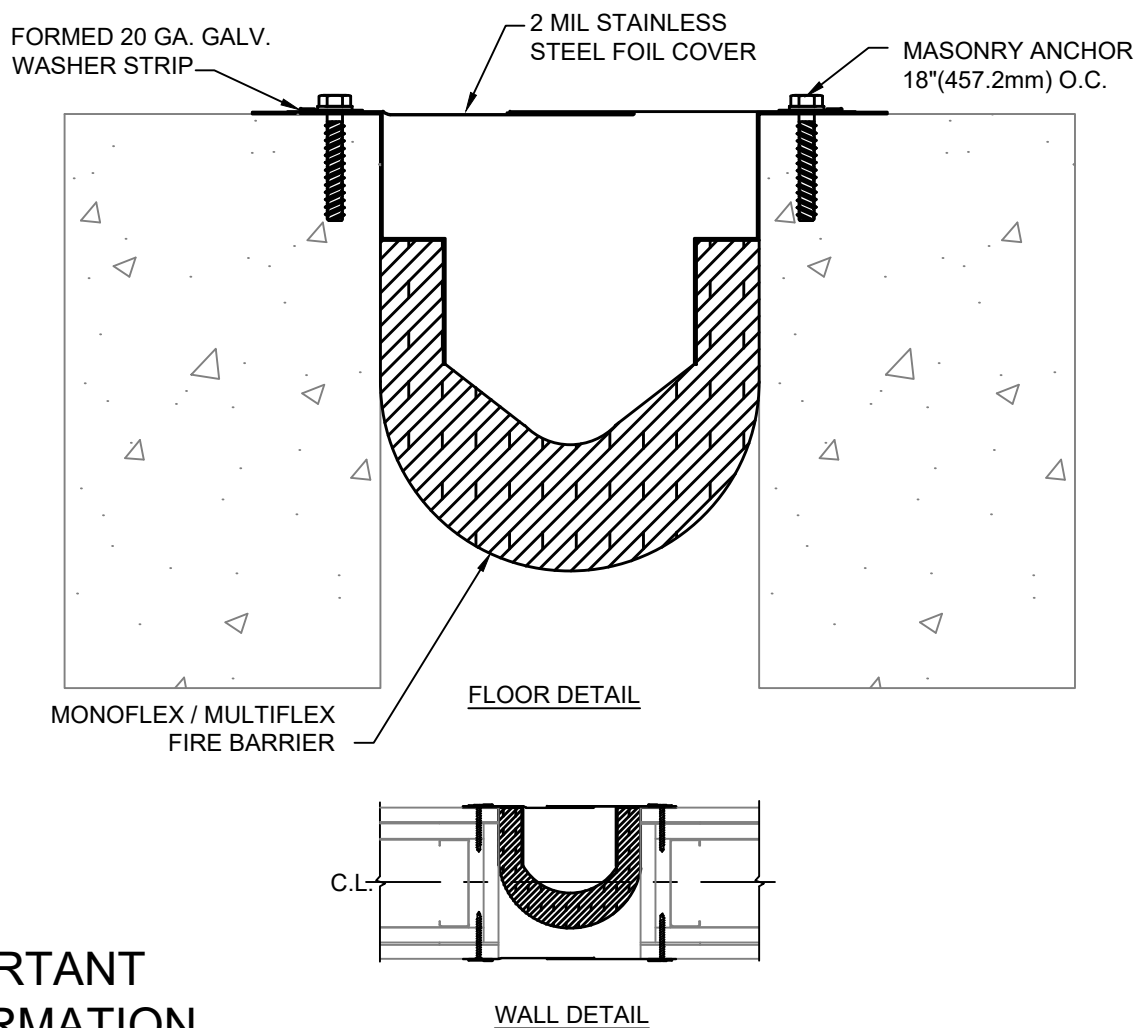


MODEL SSF WITH MONOFLEX / MULTIFLEX FIRE BARRIER INSTALLATION INSTRUCTIONS



IMPORTANT INFORMATION

Prior to the commencement of Installation, all materials **MUST** be inspected for Damage. Any damage must be reported to CONSTRUCTION SPECIALTIES, INC., as soon as possible, so that replacement materials may be furnished without delay.

All work must be completed as per Architect's Approved "Shop Drawings", and in accordance with these Installation Instructions. When installation is complete, all materials must be protected from damage until the Architect's FINAL INSPECTION.

All materials should be arranged in the order that they are to be installed. All hardware required for each portion of the work should be placed with the appropriate materials.

Please review all Approved Shop Drawings and this Document to familiarize yourself with all the details and components of this assembly.

IMPORTANT:

READ THROUGH ALL INSTRUCTIONS PRIOR TO STARTING INSTALLATION

6/20/17



Construction Specialties™

6696 Route 405 Highway, Muncy PA 17756
(800) 233-8493 • Fax (570) 546-5169 • www.c-sgroup.com

This document is the property of Construction Specialties, Inc. and contains CONFIDENTIAL PROPRIETARY INFORMATION that is not to be disclosed to third parties and is not to be used without approval in writing from Construction Specialties, Inc.

Notes:

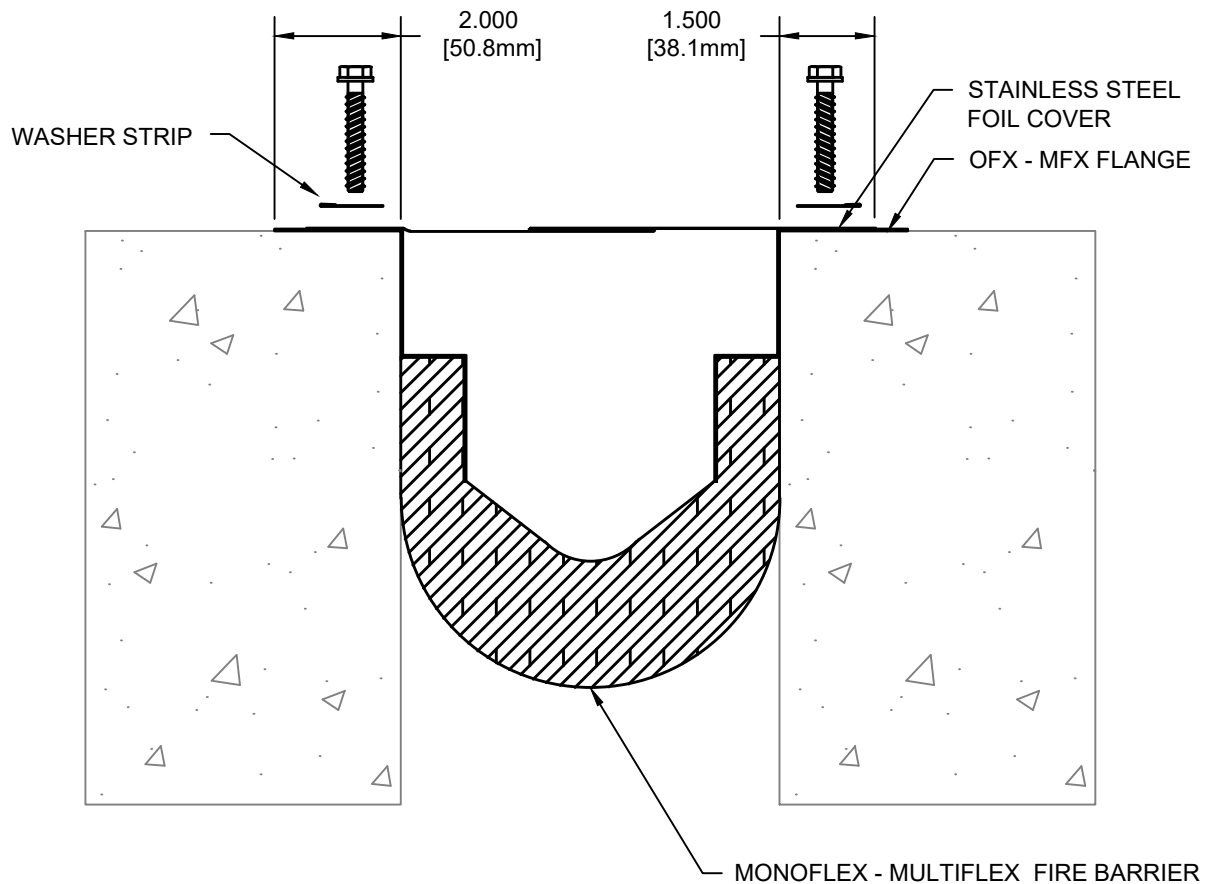
Before beginning installation, review the architectural drawings and approved Construction Specialties Inc. shop drawings to familiarize yourself with the joint cover models and locations.

Check all of the joint cover components to confirm that the correct joint cover model and size have been received. Also, check for materials that may have been damaged during shipping. Report all incorrect and/or damaged components to C/S at 800-233-8493.

Read through all the steps of these instructions prior to beginning work.

STEP 1

SSF-OFX/MFX FLOOR INSTALLATION



Step 1:

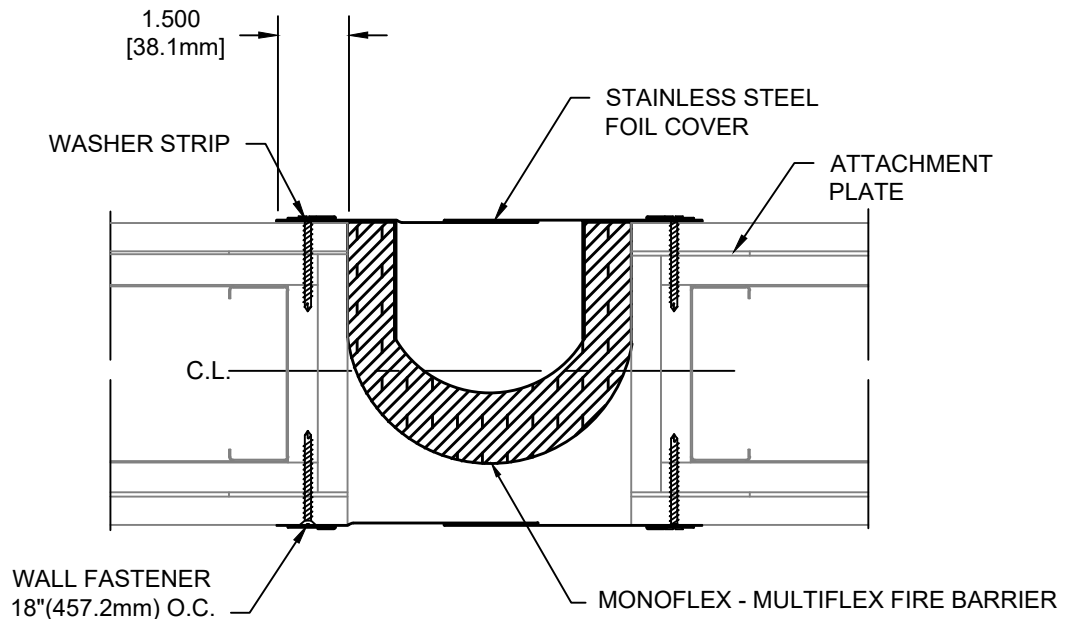
- 1.1) Begin installation of Stainless Steel Foil Cover by placing a length of the Cover over the joint. Cut the Stainless Steel Foil Cover to length as needed.
- 1.2) Reposition Stainless Steel Foil Cover over the joint and align one edge of the Stainless Steel Foil Cover 1 1/2" from the edge of the joint (the edge of the Stainless Steel Foil Cover and the edge of the joint should be parallel).
- 1.3) Attach the Stainless Steel Foil Cover and the Monoflex/Multiflex Flange using the C/S supplied washer strips and anchor bolts per manufacturer's guidelines. The holes are to be drilled 18" (457.2mm) o.c. with the appropriate size and type of drill bit as indicated by the manufacturer of the C/S supplied anchor bolts.

Note: Do not align the edge of the Stainless Steel Foil with the edge of the Monoflex/Multiflex Flange.

- 1.4) Repeat this installation procedure for opposite side of the joint and for any additional lengths of Stainless Steel Foil Cover.

STEP 2

SSF-OFX/MFX WALL INSTALLATION



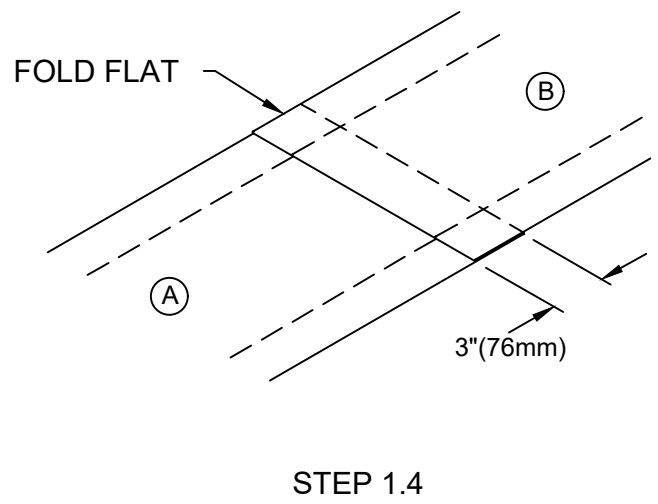
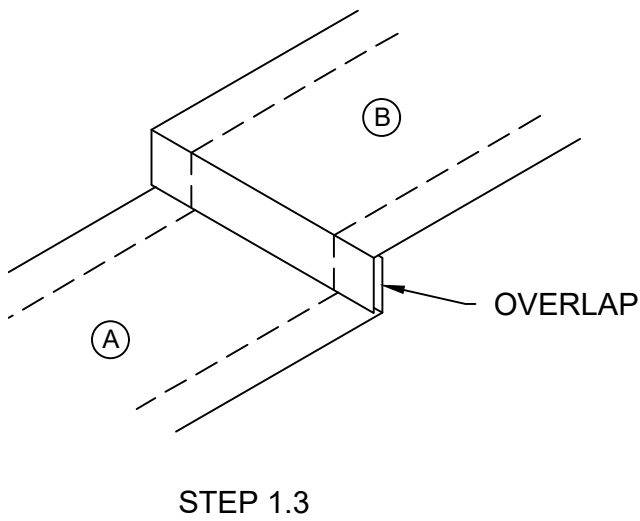
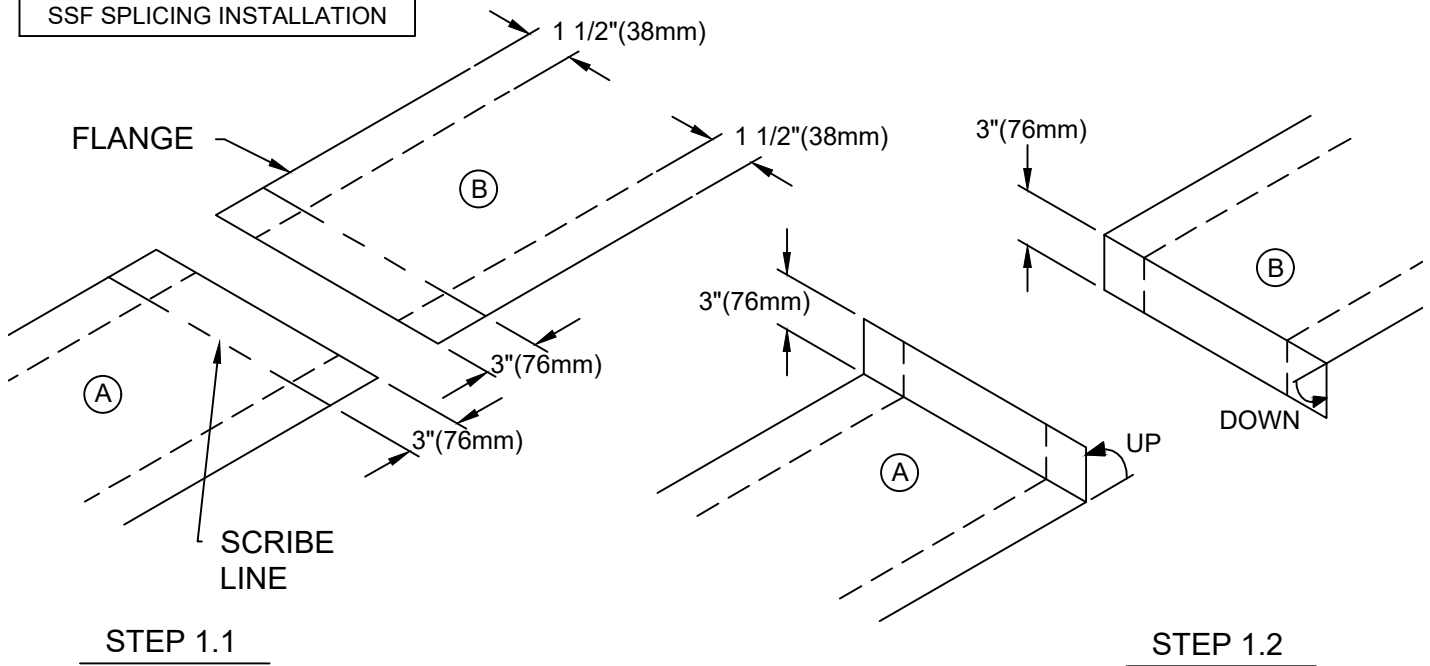
Step 2:

Note: The Stainless Steel Foil Cover is to be installed at wall joint applications extending from the finished ceiling (where the architectural joint cover ends) to the underside of the deck above.

- 2.1) Begin installation of Stainless Steel Foil Cover by placing a length of the Cover over the joint. Cut the Stainless Steel Foil Cover to length as needed.
- 2.2) Measure 1 1/2" from edge of joint and strike a chalk line parallel to the joint edge.
- 2.3) Position the Stainless Steel Foil Cover over the joint and align one edge of the Stainless Steel Foil Cover with the chalk line (use masking tape to temporarily hold the Foil in position).
- 2.4) Attach the Stainless Steel Foil Cover and the Monoflex/Multiflex Flange using the C/S supplied washer strips and wall fasteners per manufacturer's guidelines. The holes are to be drilled 18" (457.2mm) o.c. with the appropriate size and type of drill bit as indicated by the manufacturer of the C/S supplied wall fasteners.
- 2.5) Repeat this installation procedure for opposite side of the joint and for all additional lengths of Stainless Steel Foil Cover.

SPLICING STAINLESS STEEL FOIL COVER

SSF SPLICING INSTALLATION



Splicing Stainless Steel Foil Cover:

Note: When longer lengths of Stainless Steel Foil Cover is required, lengths may be spliced together as instructed. To create a Field Splice, the two lengths of Stainless Steel Foil it may be best to leave extra and trim to the run length after the splice is created.

- 1.1) Position the ends of the two lengths of Stainless Steel Foil to be spliced near each other. Measure in 3" (76mm) from the end and scribe a folding line on the surface of each piece.
- 1.2) Using a straight edge as a guide, fold the end of length "A" up at 90° and the end of length of "B" down at 90°.
- 1.3) Place piece "B" over piece "A" so the folded, 3" (76mm) lengths overlap.
- 1.4) Fold the overlapping 3" (76mm) legs of both pieces flat so that they interlock to form an overlapping splice