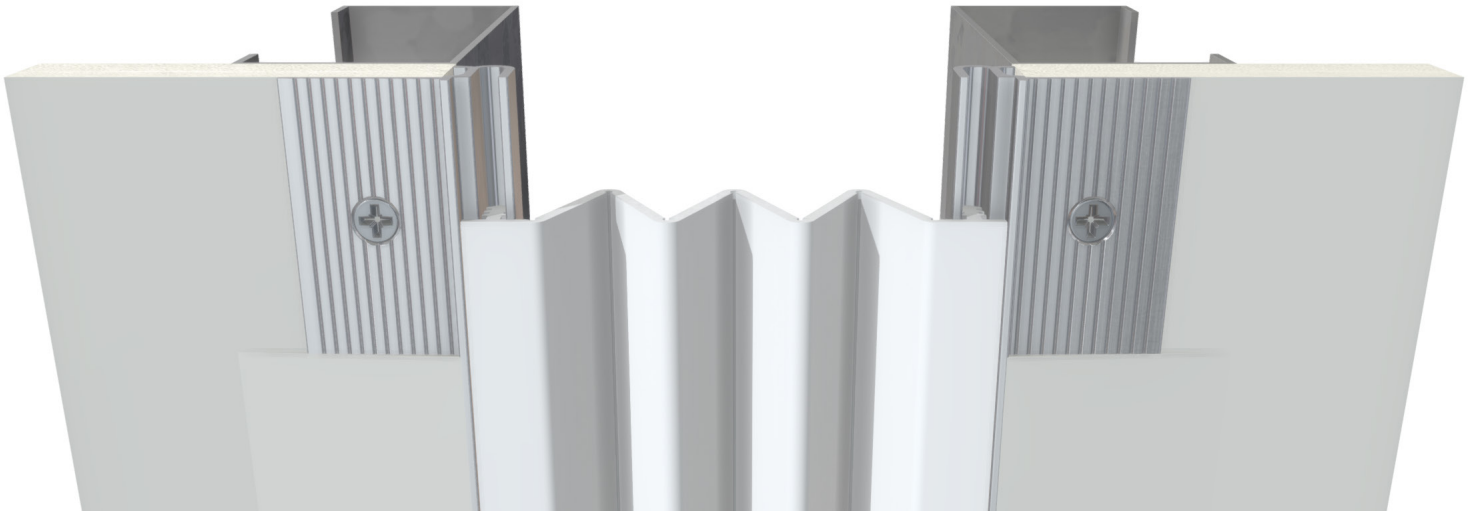


FWS Series



This serrated single gasket wall cover system is ideal for interior applications where minimal visual impact is preferred and where hygiene is critical. The ribbed center section of the gasket allows movement up to 200%. This series is also designed to match select ceiling cover systems. Gasket profiles vary based on joint size to offer flexibility in installation and field construction.

Product Details

- Joint sizes range from 2" to 10" (50.8mm to 254mm)
- 10' (3.048m) stock lengths
- Select sizes are in stock for fast shipping
- Meets ASTM E1399
- Standard Five-Year Warranty



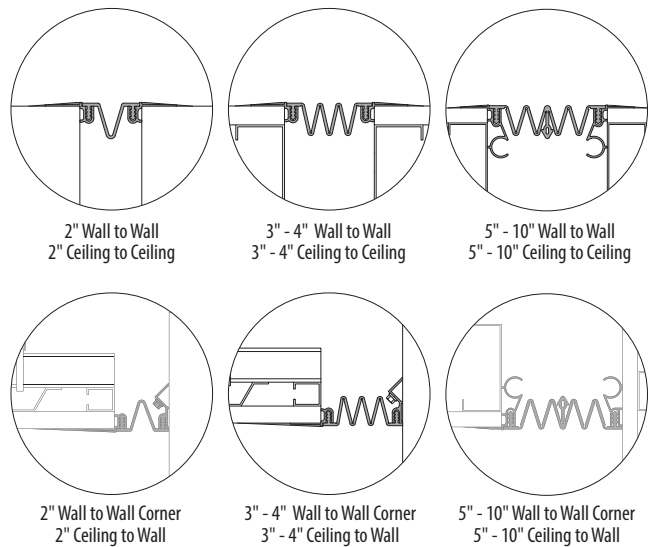
Vapor Barrier Fire Barrier

Gasket Color Options



Black White Gray Greige Platinum

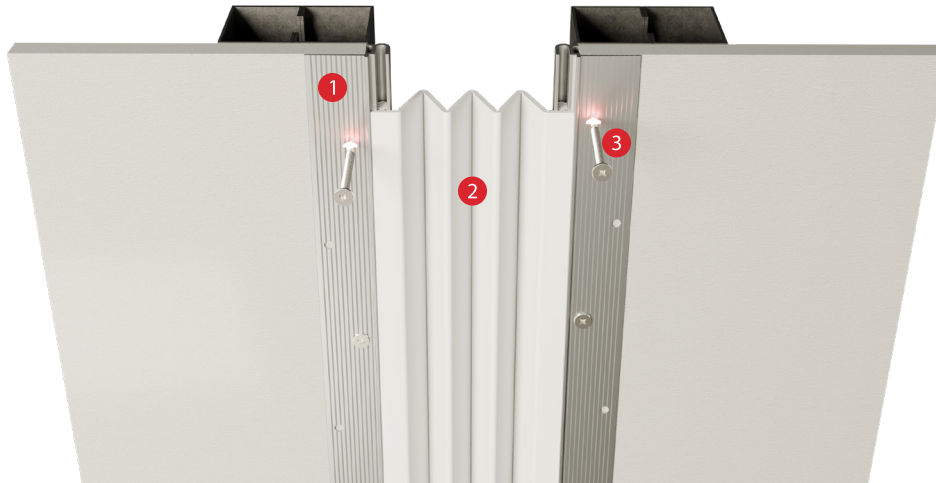
Applications



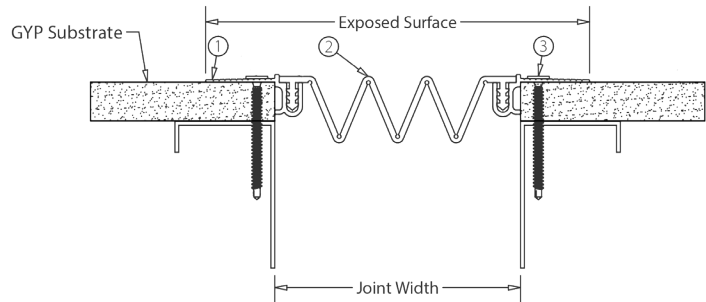
Additional resources

FWS - Wall to Wall

[Buy Online](#)



- 1. Extruded aluminum frame
- 2. Continuous extruded flexible gasket
- 3. Fastener



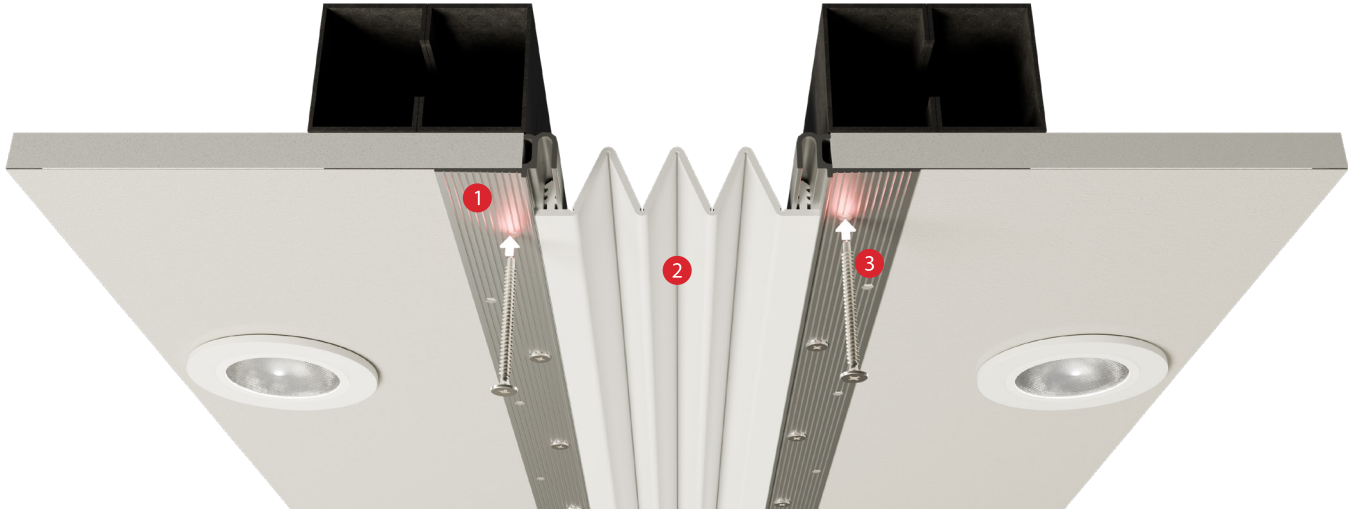
Wall to Wall - Performance Data

MODEL	JOINT WIDTH	MIN. OPENING	MAX. OPENING	EXPOSED SURFACE	BLOCKOUT WIDTH	BLOCKOUT HEIGHT
FWS-200*	2.00" (51mm)	1.25" (32mm)	4.00" (102mm)	2.00" (51mm)	N/A	N/A
FWS-300*	3.00" (76mm)	1.25" (32mm)	6.00" (152mm)	3.00" (76mm)	N/A	N/A
FWS-400*	4.00" (102mm)	1.25" (32mm)	8.00" (203mm)	4.00" (102mm)	N/A	N/A
FWS-500*	5.00" (127mm)	1.75" (44mm)	10.00" (254mm)	5.00" (127mm)	N/A	N/A
FWS-600*	6.00" (152mm)	1.75" (44mm)	12.00" (305mm)	6.00" (152mm)	N/A	N/A
FWS-700	7.00" (178mm)	2.50" (64mm)	14.00" (356mm)	7.00" (178mm)	N/A	N/A
FWS-800	8.00" (203mm)	2.50" (64mm)	16.00" (406mm)	8.00" (203mm)	N/A	N/A
FWS-900	9.00" (229mm)	2.50" (64mm)	18.00" (457mm)	9.00" (229mm)	N/A	N/A
FWS-1000	10.00" (254mm)	2.50" (64mm)	20.00" (508mm)	10.00" (254mm)	N/A	N/A

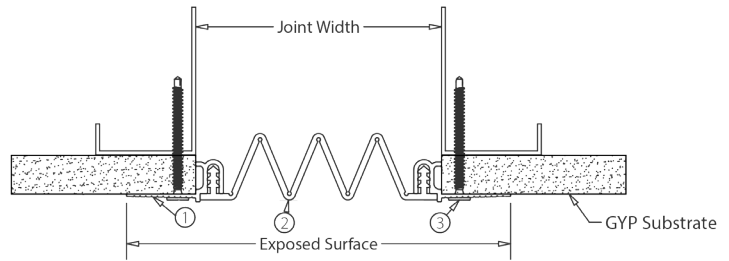
*No turnbar required for 2" - 6" models.

FWS - Ceiling to Ceiling

[Buy Online](#)



- 1. Extruded aluminum frame
- 2. Continuous extruded flexible gasket
- 3. Fastener



Ceiling to Ceiling - Performance Data

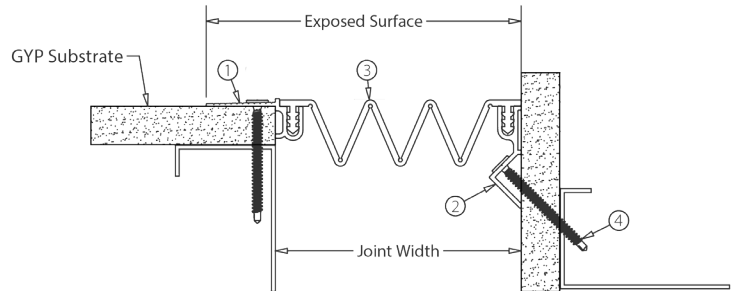
MODEL	JOINT WIDTH	MIN. OPENING	MAX. OPENING	EXPOSED SURFACE	BLOCKOUT WIDTH	BLOCKOUT HEIGHT
FWS-200*	2.00" (51mm)	1.25" (32mm)	4.00" (102mm)	2.00" (51mm)	N/A	N/A
FWS-300*	3.00" (76mm)	1.25" (32mm)	6.00" (152mm)	3.00" (76mm)	N/A	N/A
FWS-400*	4.00" (102mm)	1.25" (32mm)	8.00" (203mm)	4.00" (102mm)	N/A	N/A
FWS-500*	5.00" (127mm)	1.75" (44mm)	10.00" (254mm)	5.00" (127mm)	N/A	N/A
FWS-600*	6.00" (152mm)	1.75" (44mm)	12.00" (305mm)	6.00" (152mm)	N/A	N/A
FWS-700	7.00" (178mm)	2.50" (64mm)	14.00" (356mm)	7.00" (178mm)	N/A	N/A
FWS-800	8.00" (203mm)	2.50" (64mm)	16.00" (406mm)	8.00" (203mm)	N/A	N/A
FWS-900	9.00" (229mm)	2.50" (64mm)	18.00" (457mm)	9.00" (229mm)	N/A	N/A
FWS-1000	10.00" (254mm)	2.50" (64mm)	20.00" (508mm)	10.00" (254mm)	N/A	N/A

*No turnbar required for 2" - 6" models.

FWSC - Wall to Wall Corner



- 1. Extruded aluminum frame
- 2. Continuous extruded aluminum wall frame
- 3. Continuous extruded flexible gasket
- 4. Fastener

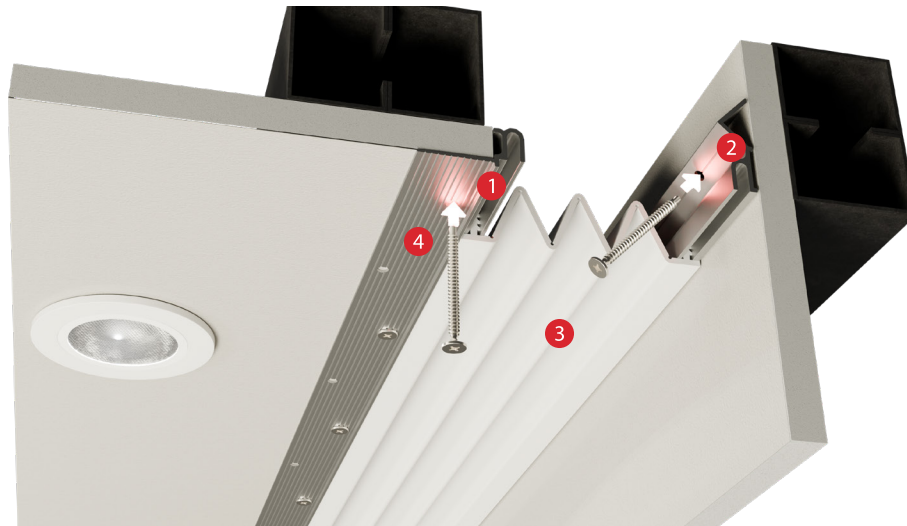


Wall to Wall Corner - Performance Data

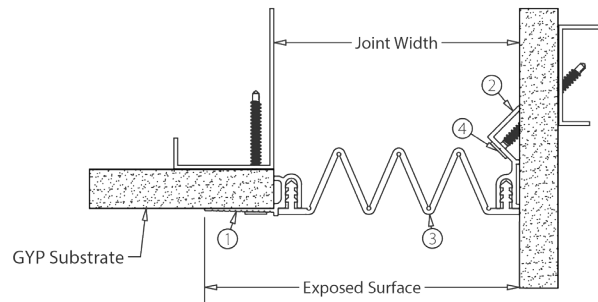
MODEL	JOINT WIDTH	MIN. OPENING	MAX. OPENING	EXPOSED SURFACE	BLOCKOUT WIDTH	BLOCKOUT HEIGHT
FWSC-200*	2.00" (51mm)	1.25" (32mm)	4.00" (102mm)	2.00" (51mm)	N/A	N/A
FWSC-300*	3.00" (76mm)	1.25" (32mm)	6.00" (152mm)	3.00" (76mm)	N/A	N/A
FWSC-400*	4.00" (102mm)	1.25" (32mm)	8.00" (203mm)	4.00" (102mm)	N/A	N/A
FWSC-500*	5.00" (127mm)	1.75" (44mm)	10.00" (254mm)	5.00" (127mm)	N/A	N/A
FWSC-600*	6.00" (152mm)	1.75" (44mm)	12.00" (305mm)	6.00" (152mm)	N/A	N/A
FWSC-700	7.00" (178mm)	2.50" (64mm)	14.00" (356mm)	7.00" (178mm)	N/A	N/A
FWSC-800	8.00" (203mm)	2.50" (64mm)	16.00" (406mm)	8.00" (203mm)	N/A	N/A
FWSC-900	9.00" (229mm)	2.50" (64mm)	18.00" (457mm)	9.00" (229mm)	N/A	N/A
FWSC-1000	10.00" (254mm)	2.50" (64mm)	20.00" (508mm)	10.00" (254mm)	N/A	N/A

*No turnbar required for 2" - 6" models.

FWSC - Ceiling to Wall



- 1. Extruded aluminum frame
- 2. Continuous extruded aluminum wall frame
- 3. Continuous extruded flexible gasket
- 4. Fastener



Ceiling to Wall - Performance Data

MODEL	JOINT WIDTH	MIN. OPENING	MAX. OPENING	EXPOSED SURFACE	BLOCKOUT WIDTH	BLOCKOUT HEIGHT
FWSC-200*	2.00" (51mm)	1.25" (32mm)	4.00" (102mm)	2.00" (51mm)	N/A	N/A
FWSC-300*	3.00" (76mm)	1.25" (32mm)	6.00" (152mm)	3.00" (76mm)	N/A	N/A
FWSC-400*	4.00" (102mm)	1.25" (32mm)	8.00" (203mm)	4.00" (102mm)	N/A	N/A
FWSC-500*	5.00" (127mm)	1.75" (44mm)	10.00" (254mm)	5.00" (127mm)	N/A	N/A
FWSC-600*	6.00" (152mm)	1.75" (44mm)	12.00" (305mm)	6.00" (152mm)	N/A	N/A
FWSC-700	7.00" (178mm)	2.50" (64mm)	14.00" (356mm)	7.00" (178mm)	N/A	N/A
FWSC-800	8.00" (203mm)	2.50" (64mm)	16.00" (406mm)	8.00" (203mm)	N/A	N/A
FWSC-900	9.00" (229mm)	2.50" (64mm)	18.00" (457mm)	9.00" (229mm)	N/A	N/A
FWSC-1000	10.00" (254mm)	2.50" (64mm)	20.00" (508mm)	10.00" (254mm)	N/A	N/A

*No turnbar required for 2" - 6" models.

FWS Series

Material Details

- Aluminum extrusions made from multiple alloys & tempers established to be the most appropriate for the given use of individual parts. Will be one of the following:
 - (6063-T5, T6, T52) (6061-T5, T6, T51) (6105-T5, T6) (6005-T5) (6005A-T5, T61), ASTM B221
- Seal Material
 - Santoprene-TPV 8201-70 (Colors 232 White, 270 Greige, 764 Platinum)
 - Santoprene-TPV 8221-70 (Colors 108 Black, 136 Gray)
- Single Durometer - 65 Shore A, ASTM D2000