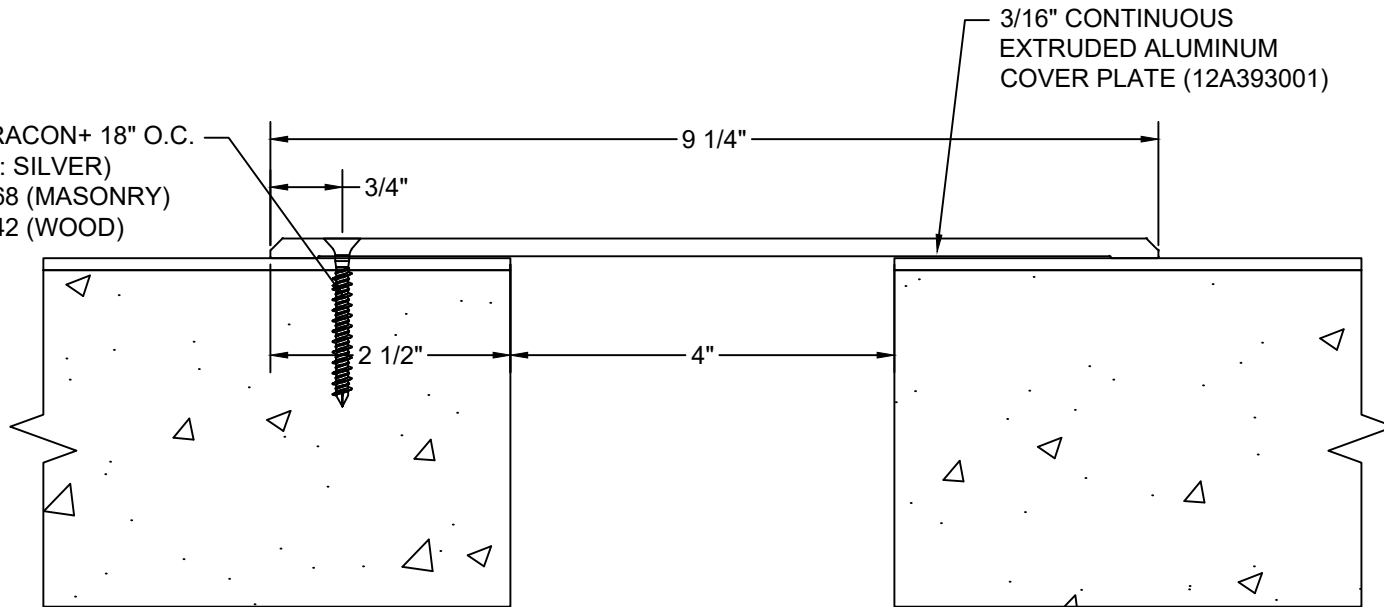


3/16"x1 3/4" ULTRACON+ 18" O.C.
 (90H236004) (FIN: SILVER)
 ICC-ES#-ESR-3068 (MASONRY)
 ICC-ES#-ESR-3042 (WOOD)



3/16" CONTINUOUS
 EXTRUDED ALUMINUM
 COVER PLATE (12A393001)

Model: PC2G-400



Construction Specialties[®]

www.c-sgroup.com

6696 Route 405 Highway, Muncy, PA 17756
 Phone: (800) 233-8493 / Fax: (570) 546-8022

895 Lakefront Promenade, Mississauga, Ontario L5E 2C2 Canada
 Phone: (888) 895-8955 / Fax: (905) 274-6241

© Copyright 2018 Construction Specialties, Inc.

PROJECT:	SCALE: NTS
CUSTOMER:	DATE:
LOCATION:	JOB NO.:
DRAWN BY:	SHEET NO.: