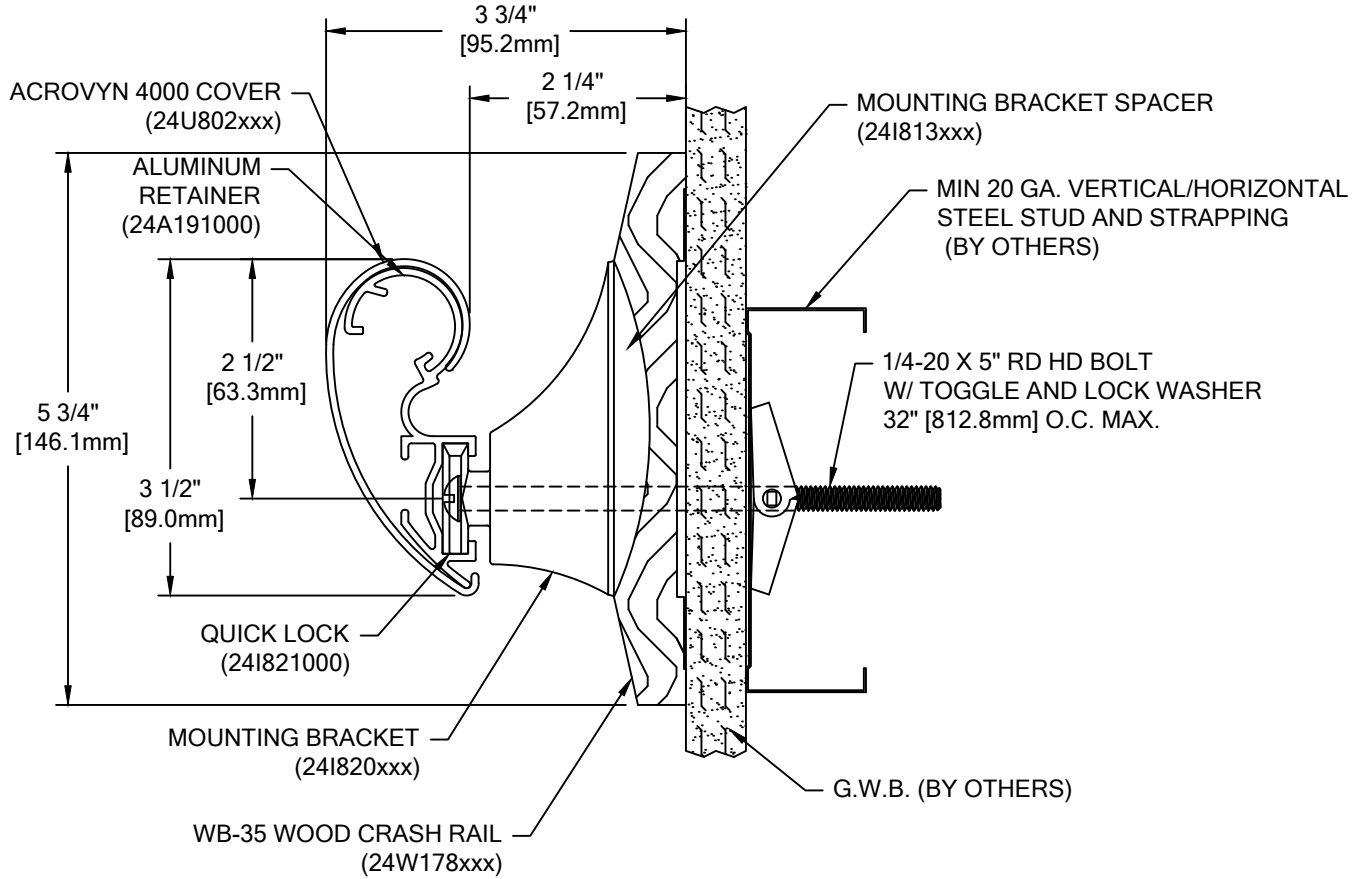


COLOR: _____
 HANDRAIL: _____
 CRASH RAIL WOOD SPECIES: _____
 CRASH RAIL WOOD FINISH: _____
 COLOR TO BE SELECTED FROM ONE OF CS STANDARD COLORS.
 *OPTIONAL VERTICAL ACCENT AVAILABLE. SEE CS CATALOG FOR COLORS.

TOTAL L/F REQ'D	LEFT END CAPS	RIGHT END CAPS	O.S.C. REQ'D


NOTE TO PLANNING:

1. LISTED QUANTITIES WILL APPLY FOR HRB-35N & WB-35 EQUALLY. OUTSIDE CORNERS FOR WB-35 ARE TO BE FIELD MITERED, THEREFOR THEY WILL BE EXCLUDED.



HRBW-35N ACROVYN 4000

WALL CONDITION	SPECIFIED FASTENER	DRILL DIAMETERS		CS PART NUMBER
		WALL	RETAINER	
STEEL STUD/GYPSUM WALL	1/4-20 X 5" ROUND HEAD BOLT WITH TOGGLE AND LOCK WASHER	3/4"	N/A	90H049002 90H006003
CONCRETE/CONC. BLOCK	#14 X 5" PHILLIPS RD HD ALL-PURPOSE SCREW	3/16"	N/A	90H287002
WOOD STUD/GYPSUM WALL	#14 X 5" PHILLIPS RD HD ALL-PURPOSE SCREW	1/8"	N/A	90H287002

 Hughesville, PA 800.233.8493 570.546.5941 Mississauga, ON 888.895.8955 905.274.3611 www.c-sgroup.com © Copyright 2016 Construction Specialties, Inc.	PROJECT:	REVISION:
	JOB NO.:	F&F:
	CUSTOMER:	
	REP:	DATE:
	DRAWN BY:	SHEET NO: