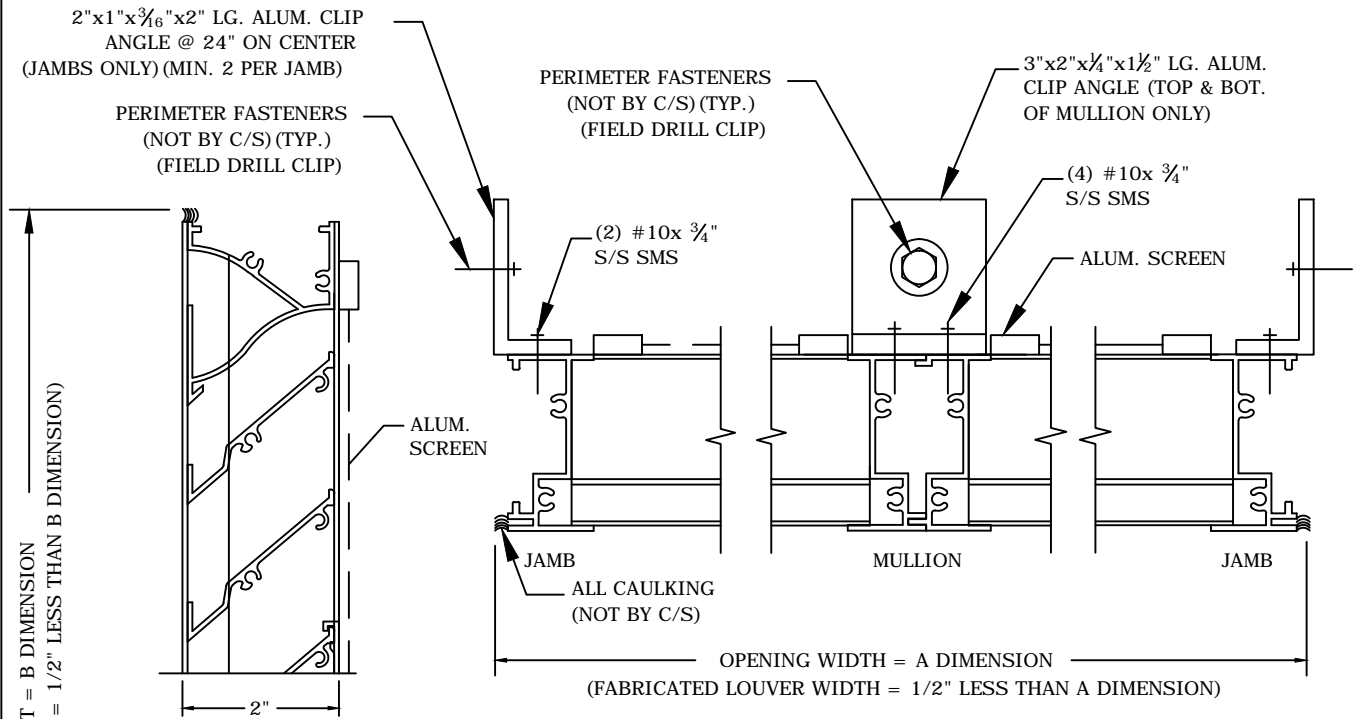
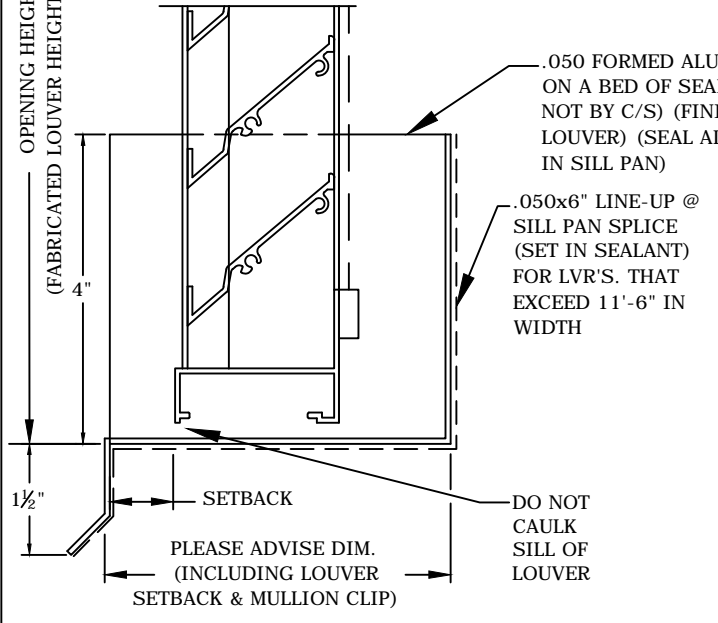


# SINGLE DRAINABLE LOUVER MODEL A2097 W/ MULLIONS



PLAN VIEW  
NTS



VERTICAL SECTION  
NTS

**SCREENS**

- SCREEN NOT REQUIRED
- SCREEN REQUIRED
- INTERIOR MOUNTED
- EXTERIOR MOUNTED
- BIRDSCREEN: 1/2" MESH .063 DIA. ALUM. WIRE (MILL FINISH)
- INSECT SCREEN: 18x16 ALUM. MESH (MILL FINISH)

**FINISHES**

- STANDARD MILL
- FLUOROPOLYMER POWDER COAT (NOT AVAILABLE IN 600XL OR 700)
- KYNAR (500), (600XL) or (700)
- (1) OF C/S STD. COLORS
- CUSTOM COLOR, C/S REQUIRES A COLOR CHIP FOR MATCHING
- BRONZE ANODIC (DARK OR MED.)
- CLEAR ANODIZE
- OTHER \_\_\_\_\_

C/S EXTRUDED ALUMINUM SINGLE DRAINABLE LOUVER MODEL A2097. FRAME AND BLADES TO BE FABRICATED FROM 6063-T6 ALLOY. ALL FASTENERS TO BE STAINLESS STEEL.

UNSUPPORTED BLADE LENGTH = @ PSF.

MARK	QTY.	"A" DIM.	"B" DIM.	NUMBER OF MULLION	LOUVER LOCATION	REMARKS

<b>Construction Specialties, Inc.</b> 49 Meeker Avenue Cranford, New Jersey 07016 (908) 272-5200 Fax (908) 272-6038	PROJECT:	DRAWN BY:
	CUSTOMER:	DATE:
	ARCH'T:	DWG. NO:
	AGENT:	SHEET OF