

# FWF-M & FWFC-M 700-1000

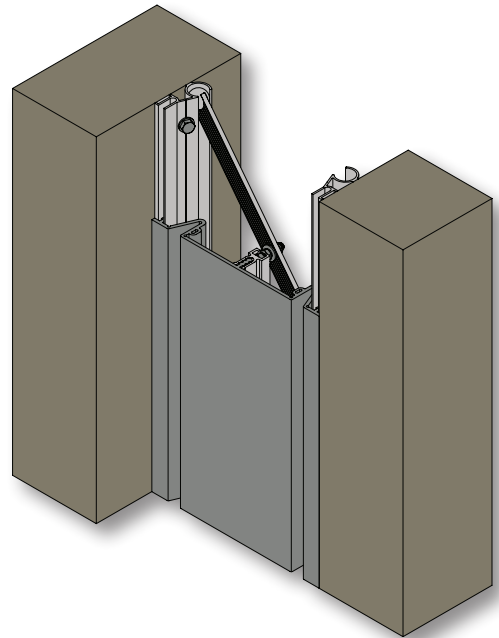
**Technical Data:**

**Aluminum**

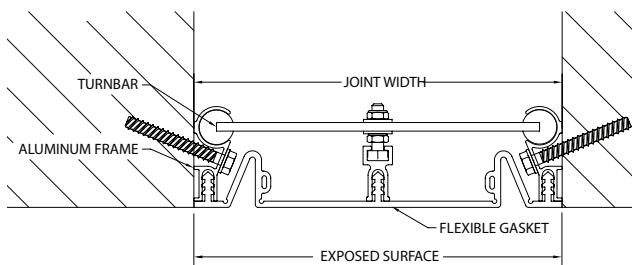
- Extrusion – CS uses multiple alloys & tempers which are established to be the most appropriate for the given use of individual parts. Will be one of the following: (6063-T5, T6, T52) (6061-T5, T6, T51) (6105-T5, T6) (6005-T5) (6005A-T5, T61), ASTM B221
- Aluminum in contact with concrete/masonry will have a 2 mil heavy metal free high solids primer

**Primary Seal**

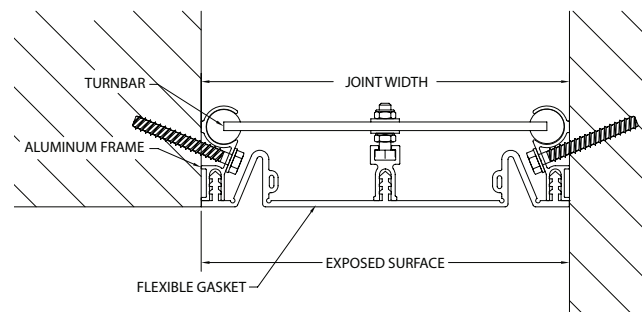
- Single Durometer 70 Shore A, ASTM D2000
- Available in 5 colors.



| MODEL      | JOINT WIDTH    | MINIMUM OPENING | MAXIMUM OPENING | EXPOSED SURFACE | BLOCKOUT WIDTH | BLOCKOUT HEIGHT |
|------------|----------------|-----------------|-----------------|-----------------|----------------|-----------------|
| FWF-700M   | 7.00" (178mm)  | 2.50" (64mm)    | 10.50" (267mm)  | 7.00" (178mm)   | N/A            | N/A             |
| FWF-800M   | 8.00" (203mm)  | 2.50" (64mm)    | 12.00" (305mm)  | 8.00" (203mm)   | N/A            | N/A             |
| FWF-900M   | 9.00" (229mm)  | 2.50" (64mm)    | 14.50" (368mm)  | 9.00" (229mm)   | N/A            | N/A             |
| FWF-1000M  | 10.00" (254mm) | 2.50" (64mm)    | 15.00" (381mm)  | 10.00" (254mm)  | N/A            | N/A             |
| FWFC-700M  | 7.00" (178mm)  | 2.50" (64mm)    | 10.50" (267mm)  | 7.00" (178mm)   | N/A            | N/A             |
| FWFC-800M  | 8.00" (203mm)  | 2.50" (64mm)    | 12.00" (305mm)  | 8.00" (203mm)   | N/A            | N/A             |
| FWFC-900M  | 9.00" (229mm)  | 2.50" (64mm)    | 14.50" (368mm)  | 9.00" (229mm)   | N/A            | N/A             |
| FWFC-1000M | 10.00" (254mm) | 2.50" (64mm)    | 15.00" (381mm)  | 10.00" (254mm)  | N/A            | N/A             |



FWF-M



FWFC-M