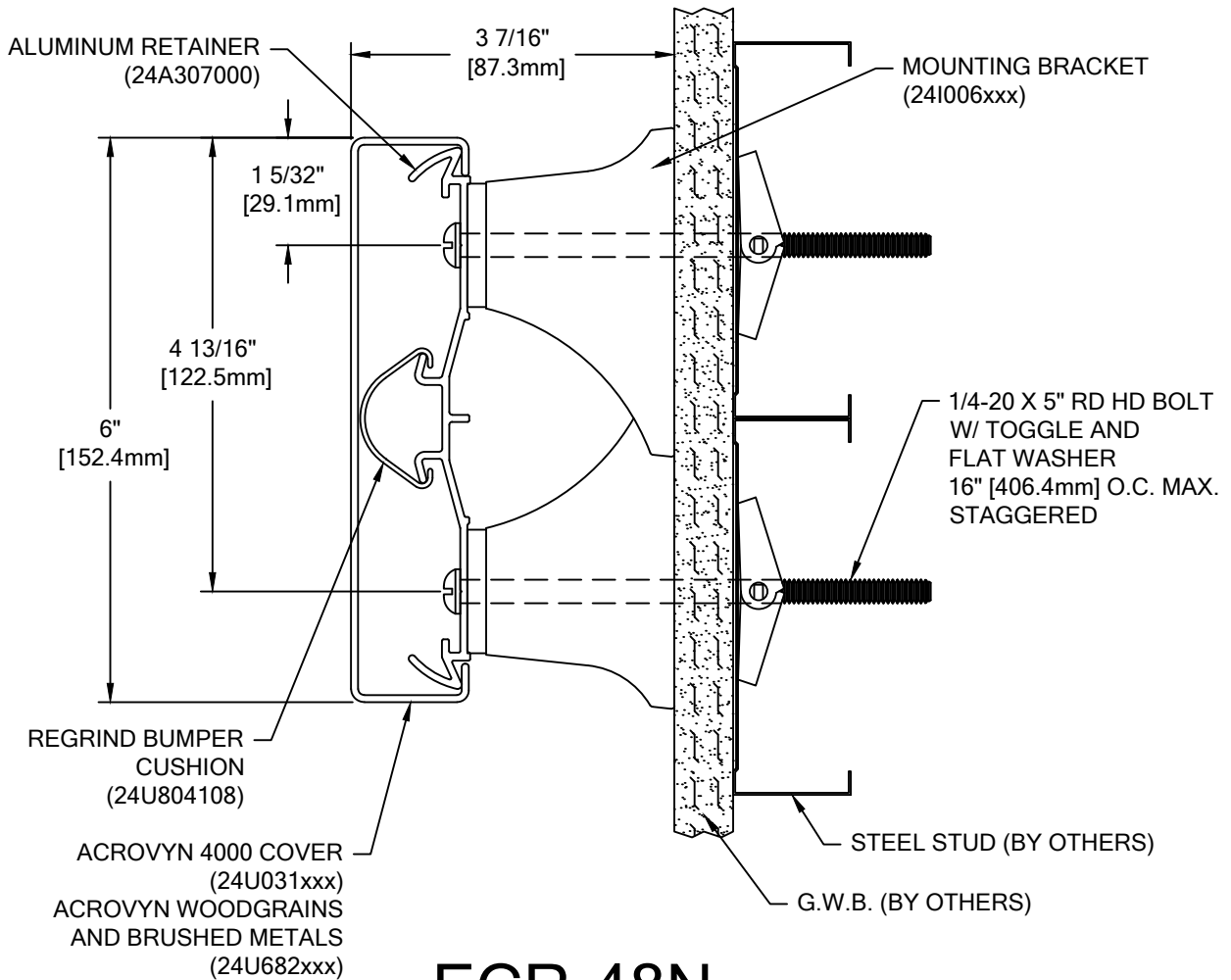


COLOR: _____
 CRASH RAIL: _____
 COLOR TO BE SELECTED FROM ONE OF C/S STANDARD COLORS.

TOTAL L/F REQ'D	END CAPS	O.S. REQ'D



ECR-48N ACROVYN 4000

WALL CONDITION	SPECIFIED FASTENER	DRILL DIAMETERS		C/S PART NUMBER
		WALL	RETAINER	
STEEL STUD/GYPUSM WALL	1/4-20 X 5" RD HD TOGGLE BOLT 1/4" FLAT WASHER SAE	3/4"	9/32"	90H049002 90H007003
CONCRETE/CONC. BLOCK	#14 X 5" PHILLIPS ROUND HEAD AP SCREW 1/4" FLAT WASHER	3/16"	9/32"	90H287002 90H007003
WOOD STUD/GYPSUM WALL	#14 X 5" PHILLIPS ROUND HEAD AP SCREW 1/4" FLAT WASHER	1/8"	9/32"	90H287002 90H007003

PROJECT:	REVISION:
JOB NO.:	F&F:
CUSTOMER:	DATE:
REP:	SHEET NO:
DRAWN BY:	



Construction Specialties™

6696 Route 405 Highway, Muncy PA 17756
 (800) 233-8493 • Fax (570) 546-4692 • www.c-sgroup.com