

1/8"Ø POP RIVETS  
W/ 3/16" GRIP

CONTINUOUS EXTRUDED  
ALUMINUM FRAME  
(12A874000)

#8x1 1/2" TEK SCREW  
18" O.C. (90H139002)  
(FIN: PLATED)

14GA. 5"x2" GALVANIZED  
STRIKE PLATE (12M249000)

S-BINER CLIP (90H372010)

D-RING SHOCK CORD  
RETAINER (90H334010)

PANEL ASSEMBLY

CONTINUOUS EXTRUDED  
ALUMINUM FRAME  
(12A872001)

FRAME CONCEALED BY  
FEATHERED JOINT  
COMPOUND (NOT BY CS)

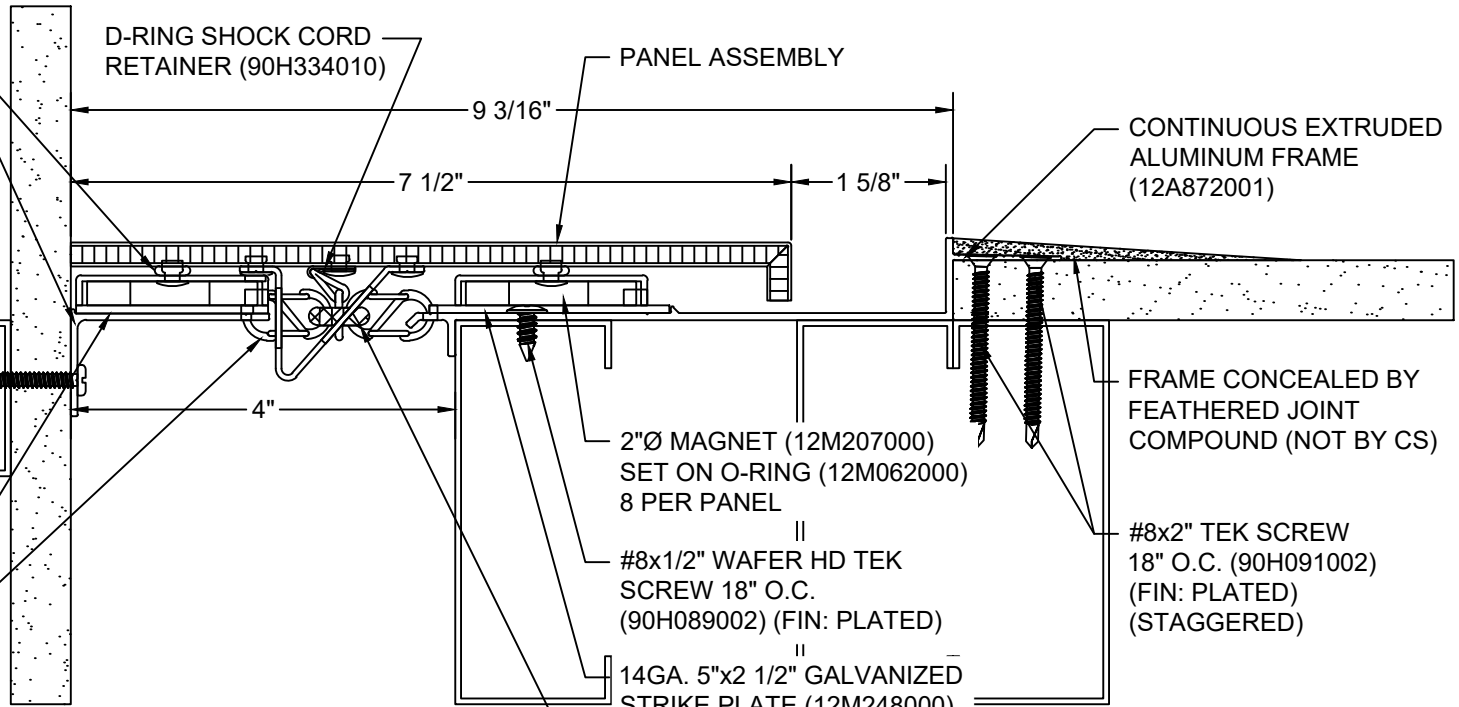
#8x2" TEK SCREW  
18" O.C. (90H091002)  
(FIN: PLATED)  
(STAGGERED)

2"Ø MAGNET (12M207000)  
SET ON O-RING (12M062000)  
8 PER PANEL

#8x1/2" WAFER HD TEK  
SCREW 18" O.C.  
(90H089002) (FIN: PLATED)

14GA. 5"x2 1/2" GALVANIZED  
STRIKE PLATE (12M248000)

3/16" SHOCK CORD  
30" LOOP (12M105004)



## Model: LAFC2G-400



**Construction Specialties®**

[www.c-sgroup.com](http://www.c-sgroup.com)

6696 Route 405 Highway, Muncy, PA 17756  
Phone: (800) 233-8493 / Fax: (570) 546-8022

895 Lakefront Promenade, Mississauga, Ontario L5E 2C2 Canada  
Phone: (888) 895-8955 / Fax: (905) 274-6241

© Copyright 2018 Construction Specialties, Inc.

|           |            |
|-----------|------------|
| PROJECT:  | SCALE: NTS |
| CUSTOMER: | DATE:      |
| LOCATION: | JOB NO.:   |
| DRAWN BY: | SHEET NO.: |