

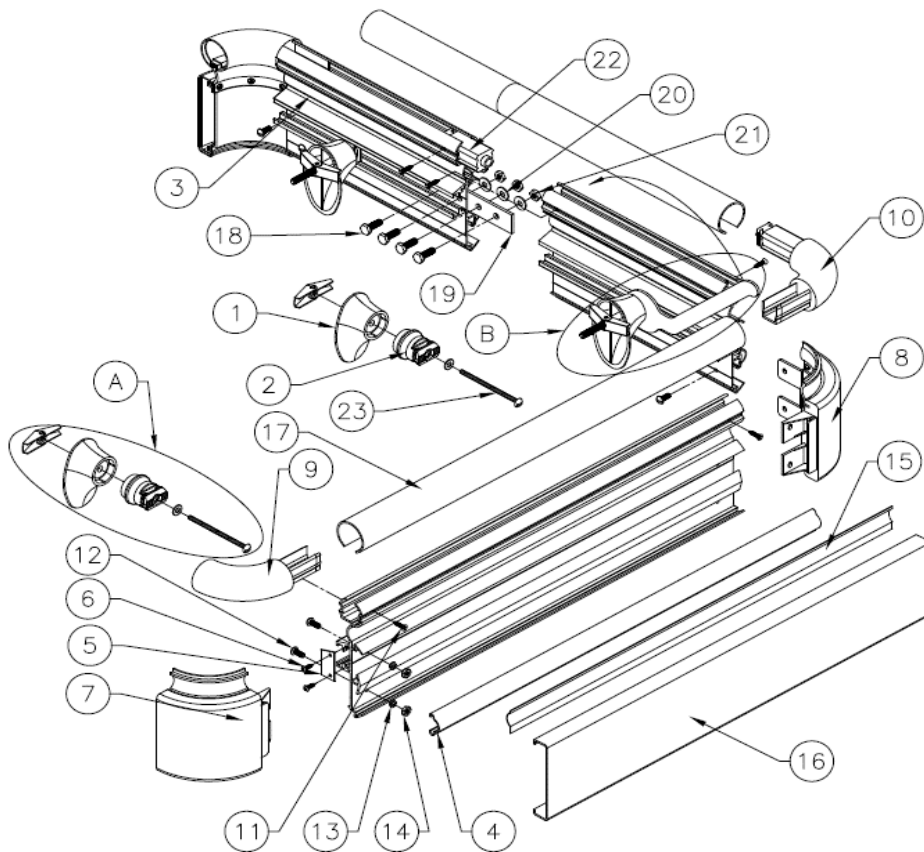
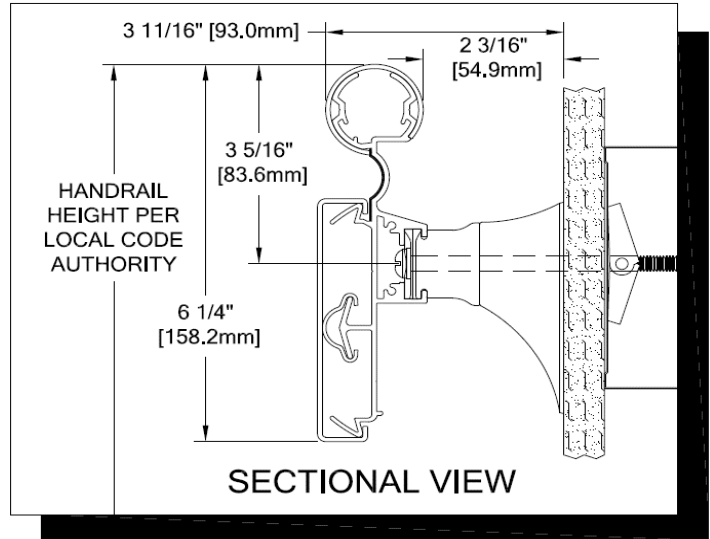
ATTENTION

Please read these instructions thoroughly prior to beginning the **HRB-10CQLN-INT HANDRAIL** installation.

This instruction sheet is intended to provide a specific guide to follow for the installation of the **HRB-10CQLN-INT HANDRAIL**. Contained within is the technical information and installation techniques required to complete an efficient, neat, and long-lasting installation.

See "**HANDRAIL**- Supplemental Information" sheet for additional notes and other helpful installation tips.

Minimum length of **HRB-10CQLN-INT HANDRAIL** is **15-3/4" [400.3mm]** and requires at least 2 brackets per unit.



Parts List

1. Mounting Bracket (24I820xxx)
2. Extended Quick Lock (24I098108)
3. Aluminum Retainer (24A367000)
4. RC-10 Cushion (24U952108)
5. 10C Quick Lock Retainer End Plate (24F254004)
6. #6 x 1/2" S/S Phillips Pan Head Sheet Metal Screw (90H255006)
7. Crash Rail End Cap Assembly
8. Crash Rail Outside Corner Assembly
9. *Handrail End Cap*
 - a. Solid Color LH (24I082xxx)
 - b. Solid Color RH (24I083xxx)
 - c. Chameleon LH (24I610xxx)
 - d. Chameleon RH (24I634xxx)
10. Handrail Outside Corner Assembly
11. #6 x 5/8" Phillips S/S Flat Head SMS (90H231004)
12. #10-24 x 1/2" S/S Round Head Slotted Machine Screw (90H369006)
13. #10 Lock Washer (90H370002)
14. #10 Hex Nut (90H368002)
15. Acrovyn Accent Reveal (24N021xxx)
16. *Acrovyn Crashrail Cover*
 - a. Solid Color (24U009xxx)
 - b. Chameleon Color (24U616xxx)
17. *Acrovyn Handrail Cover*
 - a. Solid Color (24U032xxx)
 - b. Chameleon Color (24U610xxx)
18. 1/4-20 x 1/2" S/S Hex Head Machine Screw (90H052006)
19. Retainer Splice Bar (24I976000)
20. 1/4" Lock Washer (90H006003)
21. 1/4-20 Hex Nut (90H010010)
22. Alignment Plug (24I051000)
23. Specified Fastener (see table on bottom of page 2)

Hughesville, PA | 800.233.8493 | 570.546.5941
 Mississauga, ON | 888.895.8955 | 905.274.3611

www.c-sgroup.com
IWPTechSupport@c-sgroup.com

INSTALLATION INSTRUCTIONS

1. Establish handrail height above finish floor. Deduct 3-5/16" [83.6mm] and snap a chalk line at that height to mark the locations of the fasteners for the handrail brackets.
2. Determine wall fastener locations by using the required deductions (see layout view) and drill hole diameter for specified wall fasteners. Reference chart below for correct drill diameters.
3. Place a quick lock into each bracket base. Use the appropriate fasteners and attach the bracket assemblies to the wall at the pre-drilled locations. See figure "A" callout on page 1.
4. Cut the continuous aluminum retainer to length using the required deductions as noted (see layout view).
5. Where the retainer will have an end cap / outside corner, attached the 10C Quick Lock retainer end plate to the retainer using two (2) #6 x 1/2" sheet metal screws
6. Attach all end caps / outside corners:
 - a. Attach handrail portion of end cap to retainer:
 - i. Drill 5/32" diameter clearance holes in retainer 3/4" [19.1mm] from end of retainer.
 - ii. Insert the end caps into the retainer and drill 3/32" diameter pilot holes into the end caps.
 - iii. Attach end cap to retainer using #6 x 5/8" Philips flat head sheet metal screw.
 - b. Attach crash rail portion of end cap to the retainer:
 - i. Use end cap as template to drill 7/32" pilot holes in retainer.
 - ii. Attach end cap / outside corners by sliding the end cap onto the end of the aluminum retainer and securing into position using two (2) #10-24 x 1/2" round head slotted machine screw with lock washer and #10 hex nut at each end cap and four (4) at each outside corner.

NOTE: To aid in locating the crash rail end caps correctly, cut a 4" [101.6mm] section of cover from scrap and snap it on the retainer. Locate the cap so it aligns flush with the top and bottom of the cover.

7. Place the retainer on the wall brackets so that the head of each quick lock inserts into the channel on the back of the retainer. Using the wrench provided, twist each lock 90° to secure the bracket base into place. See figure "B" callout on page 1. Use a level to ensure retainer is level.
8. Cut RC-10 cushion to length noting required deductions (see layout view) and install onto aluminum retainer.
9. Cut the accent reveal to length and insert into slot provided in the top section of the aluminum retainer.
10. Cut Acrovyn handrail cover and Acrovyn crash rail cover to length. The cover length is determined by measuring the distance between the installed end caps and / or outside corner assemblies.
11. Starting at one end, snap the handrail cover onto the retainer along the length of the handrail.
12. Complete installation by installing the Acrovyn crash rail cover onto the lower portion of the retainer.

WALL CONDITION	SPECIFIED FASTENER	DRILL DIAMETER		CS PART NUMBER
		WALL	RETAINER	
Steel Stud / Gypsum Wall	1/4-20 x 5" Round Head bolt with Toggle Lock Washer	3/4"	N/A	90H049002 90H006003
Concrete / Concrete Block	#14 x 5" S/S Phillips Round Head All-Purpose Screw	3/16"	N/A	90H287006
Wood Stud / Gypsum Wall	#14 x 5" S/S Phillips Round Head All-Purpose Screw	1/8"	N/A	90H287006

