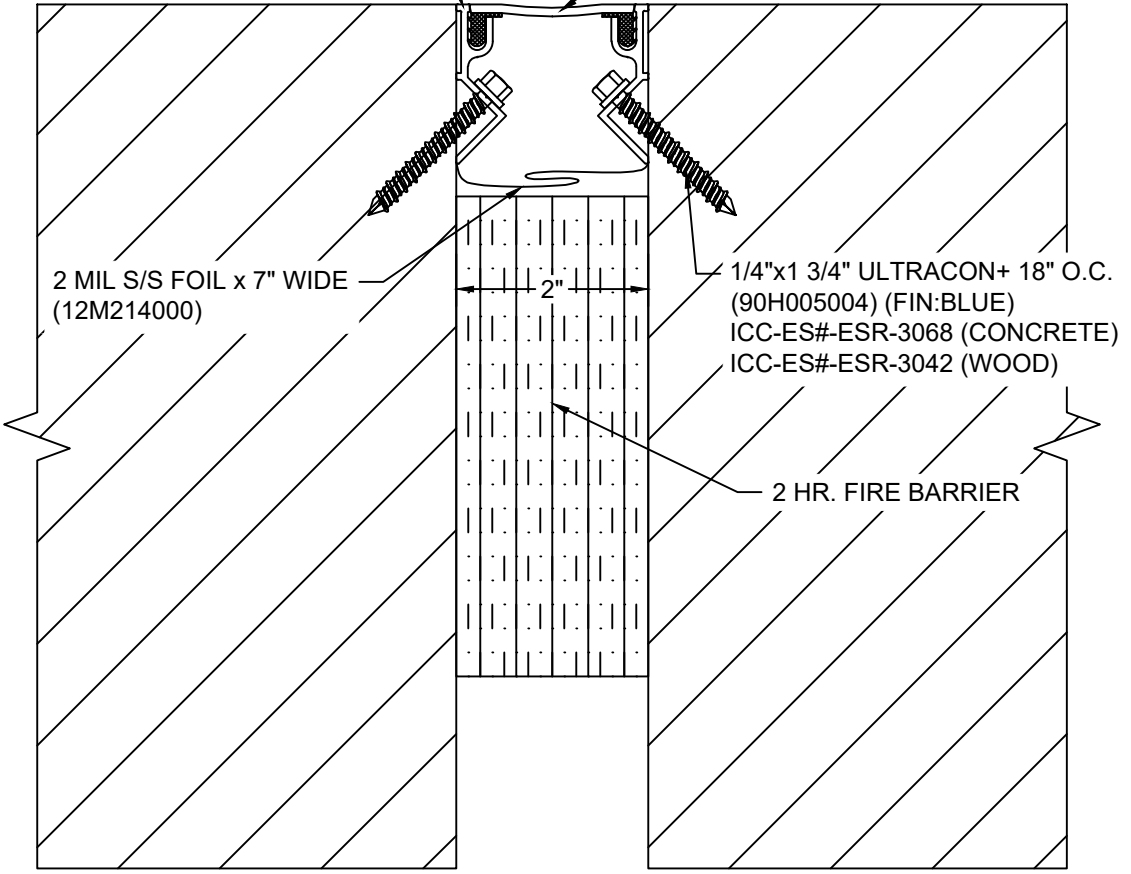


CONTINUOUS EXTRUDED ALUMINUM FRAME (12A159008)

CONTINUOUS EXTRUDED FLEXIBLE GASKET (12V088xxx)



Model: FWF-200M W/ FB



Construction Specialties®
www.c-sgroup.com
 6696 Route 405 Highway, Muncy, PA 17756
 Phone: (800) 233-8493 / Fax: (570) 546-8022
 895 Lakefront Promenade, Mississauga, Ontario L5E 2C2 Canada
 Phone: (888) 895-8955 / Fax: (905) 274-6241

© Copyright 2018 Construction Specialties, Inc.

PROJECT:	SCALE: NTS
CUSTOMER:	DATE:
LOCATION:	JOB NO.:
DRAWN BY:	SHEET NO.: