

LG SERIES CORNER GUARDS

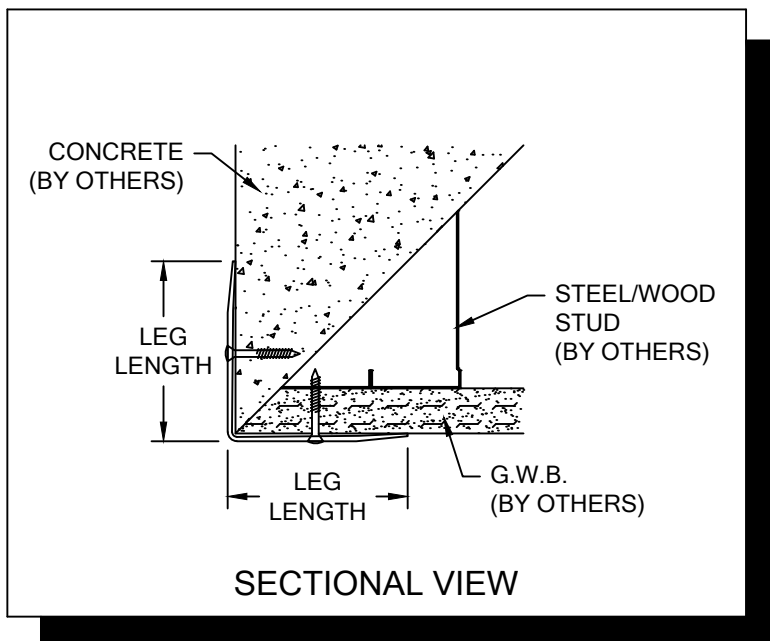
PLEASE READ

PLEASE READ THESE INSTRUCTIONS THOROUGHLY PRIOR TO BEGINNING THE LG SERIES CORNER GUARD INSTALLATION!

THIS INSTRUCTION SHEET IS INTENDED TO PROVIDE A SPECIFIC GUIDE TO FOLLOW FOR THE INSTALLATION OF THIS LG SERIES CORNER GUARDS. CONTAINED WITHIN IS THE TECHNICAL INFORMATION AND INSTALLATION TECHNIQUES REQUIRED TO COMPLETE AN EFFICIENT, NEAT AND LONG-LASTING INSTALLATION.

INSPECT ALL MATERIALS FOR DAMAGE OR MISSING PARTS. IF YOU DISCOVER DAMAGED OR MISSING MATERIALS, IN THE USA PLEASE NOTIFY THE FACTORY AT (800) 233-8493, AND IN CANADA (888) 895-8955 FOR CUSTOMER SERVICE.

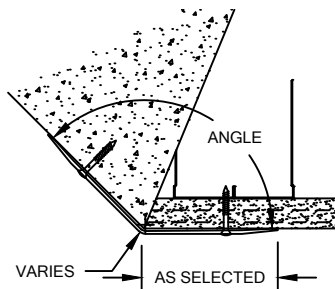
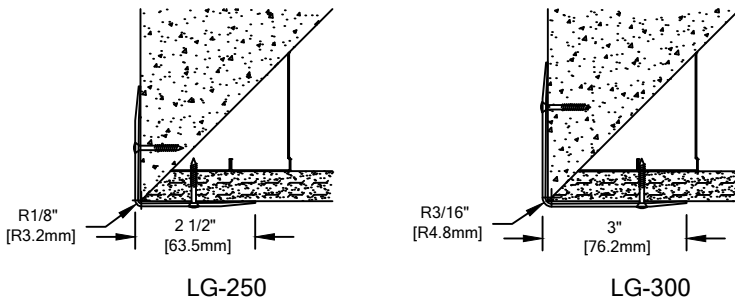
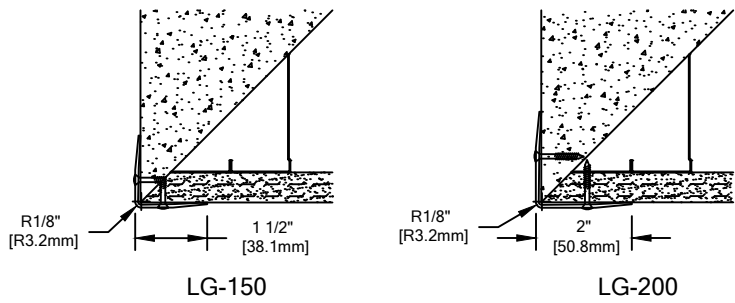
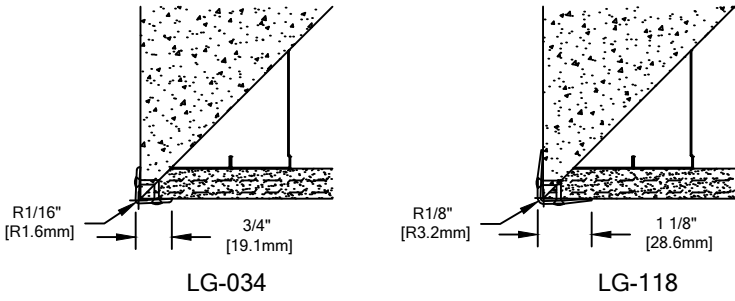
LG SERIES CORNER GUARDS MUST BE INSTALLED IN ACCORDANCE WITH THESE INSTRUCTIONS! FAILURE TO FOLLOW THESE INSTRUCTIONS MAY VOID ANY PRODUCT WARRANTIES AND RESULT IN AN UNSUCCESSFUL INSTALLATION. FOR SPECIFIC QUESTIONS REGARDING THE INSTALLATION OF THIS LG SERIES CORNER GUARDS PLEASE CALL THE FACTORY IN THE USA AT (800) 233-8493 OR EMAIL IWPTECHSUPPORT@C-SGROUP.COM. IN CANADA CALL (888) 895-8955.



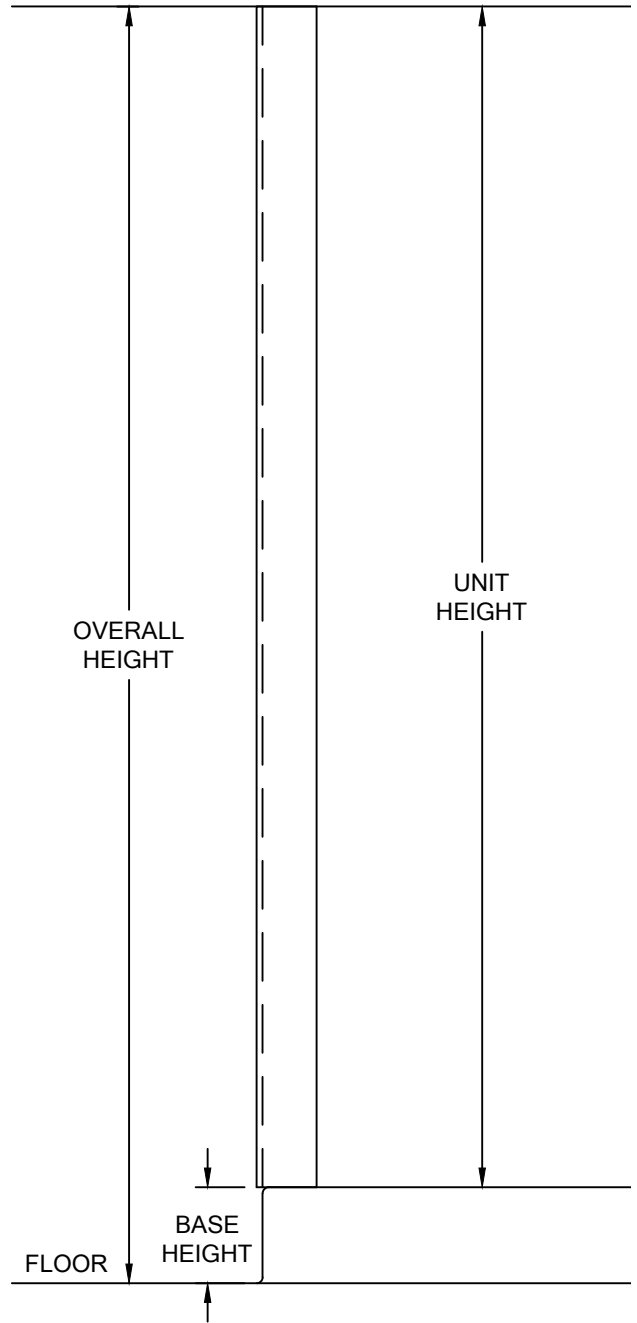
IMPORTANT NOTES

1. ALL LINEAL MATERIAL TO BE SUPPLIED IN STOCK LENGTHS. THIS MATERIAL IS TO BE FIELD CUT USING QUALITY EQUIPMENT TO INSURE THAT ALL CUTS ARE SQUARE. WHEN CUTTING MATERIAL SECTIONS, CS RECOMMENDS USING AN 80-100 TOOTH CARBIDE TIPPED SAW BLADE OR EQUIVALENT, TO MINIMIZE CHIPPING AND MAINTAIN JOINT ALIGNMENT.
2. ALL DIMENSIONS ARE TYPICAL.
3. MATERIAL MUST REACH 65°F MIN. TO 75°F MAX. 24 HOURS PRIOR TO INSTALLATION. THIS IS ESSENTIAL TO MINIMIZE EXPANSION AND CONTRACTION OF MATERIAL.
4. LG CORNER GUARDS SUPPLIED WITHOUT PRE-DRILLED HOLES ARE NOT SUPPLIED WITH MOUNTING FASTENERS, TAPE OR ADHESIVE WITH THE EXCEPTION OF LG-034.
5. LG-034 CORNER GUARDS ARE NOT AVAILABLE IN ODD ANGLES.
6. FOR MORE INFORMATION ON LG SERIES CORNER GUARDS SEE OUR WEBSITE AT www.c-sgroup.com.

LG SERIES CORNER GUARDS



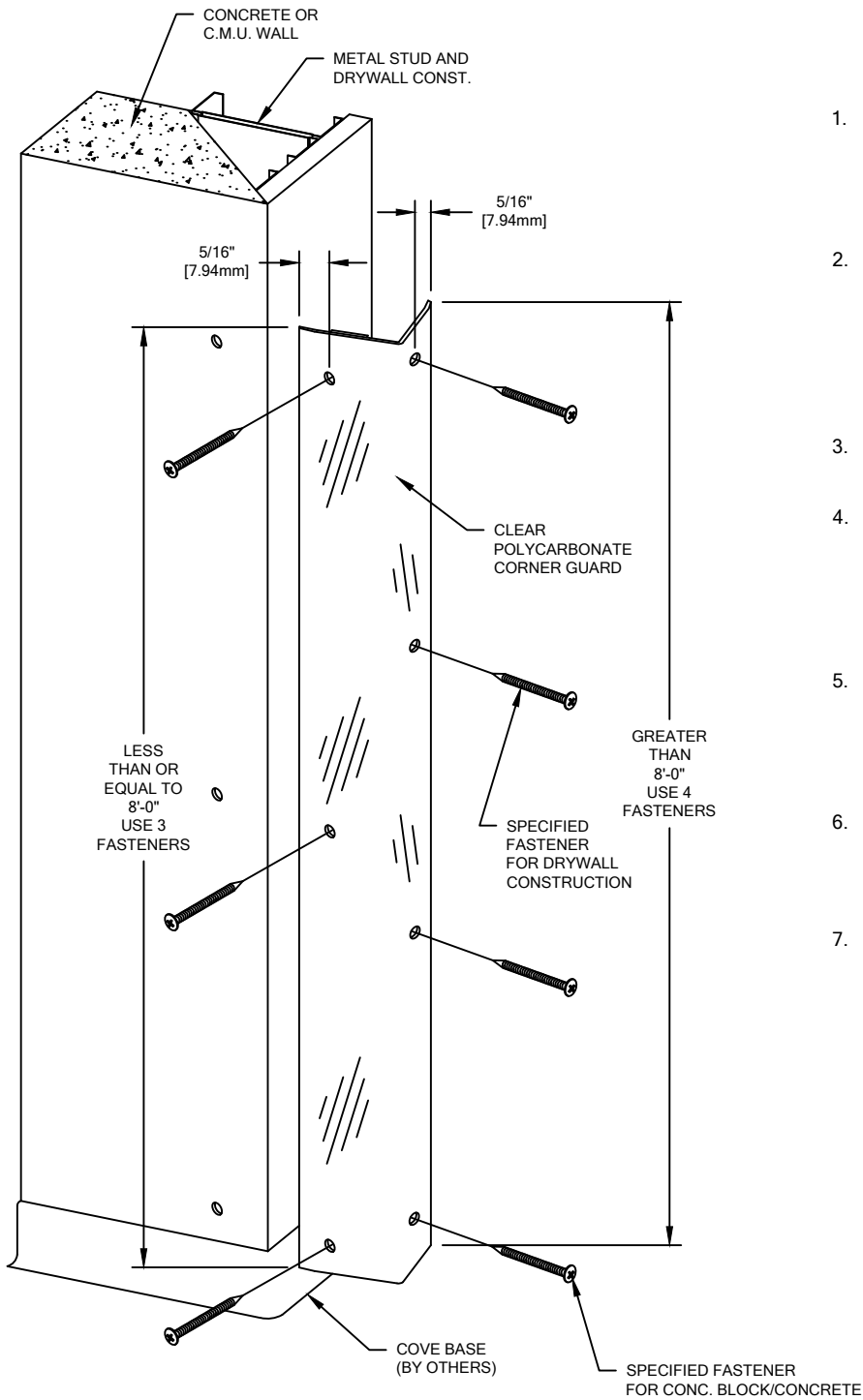
LG-118M/150M/200M/250M/300M (135°)



WALL CONDITION	SPECIFIED FASTENER	DRILL DIAMETERS		CS PART NUMBER
		WALL	RETAINER	
STEEL STUD/GYPSUM WALL WOOD STUD/GYPSUM WALL CONCRETE/CONC. BLOCK	LG-034 1 1/8" SCREW/NAIL LG-118/150/200/250 1" SCREW NAIL	N/A	N/A	90H136002 90H135002

NOTE: LG CORNER GUARDS THAT ARE REQUESTED WITHOUT PRE-DRILLED HOLES DO NOT INCLUDE FASTENERS WITH THE EXCEPTION OF MODEL LG-034. FOR MODEL LG-034, FASTENERS ARE ALWAYS SUPPLIED, AND HOLES ARE NOT PRE-DRILLED.

LG SERIES CORNER GUARDS



1. LOCATE AND INSTALL CS CORNER GUARDS IN ACCORDANCE WITH ARCHITECTURAL DRAWINGS AND SPECIFICATIONS. WHEN REQUIRED, CS SHOP DRAWINGS SHOULD BE USED IN CONJUNCTION WITH THESE DOCUMENTS.
2. LAYOUT THE WORK TO BE COMPLETED, INCLUDING COMPONENT PARTS AT EACH LOCATION. TO RECEIVE CORNER GUARDS AS INDICATED BY THE CS SHOP DRAWINGS. SPOT CHECK THE MATERIAL FOR ANY DAMAGE INCURRED DURING SHIPPING AND/OR HANDLING AT THE JOB SITE.
3. ESTABLISH CORNER GUARD HEIGHT REQUIREMENT.
4. PREPARE OUTSIDE CORNER FOR GUARD INSTALLATION BY REMOVING ANY OIL OR DUST CONTAMINATION USING MILD SOAP AND WATER OR HOUSEHOLD CLEANERS SUCH AS FANTASTIC®, FORMULA 409®, OR SIMILAR PRODUCTS.
5. INSTALL THE CORNER GUARD BY ALIGNING THE BOTTOM OF THE CORNER GUARD WITH THE TOP OF THE COVE BASE OR FINISH FLOOR AND MOVING THE GUARD INTO POSITION ALONG THE APEX OF THE WALL SURFACE.
6. FOR LG-034, IF FASTENERS ARE REQUIRED, SEE HOLE SPACING ON LEFT. ALL OTHER MODELS WILL BE DRILLED IN FACTORY IF FASTENERS ARE REQUESTED.
7. COMPLETE INSTALLATION BY SECURING THE CORNER GUARD INTO POSITION USING THE APPROPRIATE FASTENERS.

1/16/24