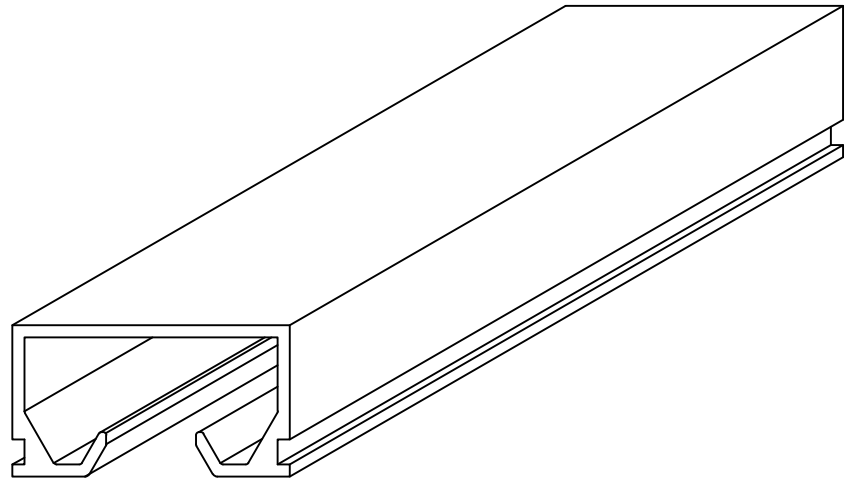


## 6062 SURFACE MOUNTED ALUMINUM TRACK

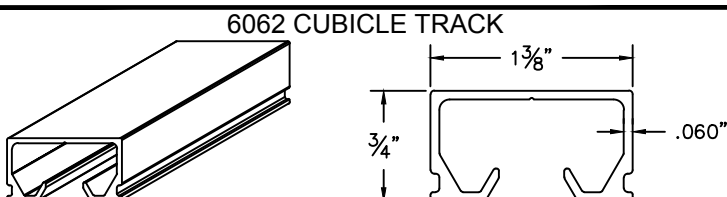
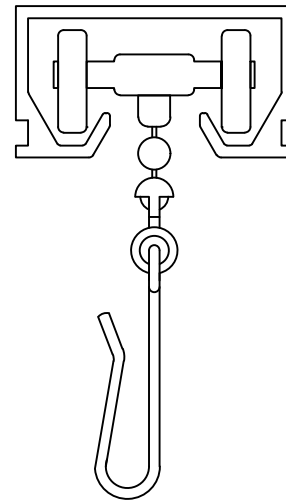
### Features:

- Manufactured of high quality extruded aluminum 6063-T5.
- Available in clear anodized finish or white powder coat.
- Dual channel, providing consistently smooth, snag free operation.
- Continuous radiuses bends available in 36" and up.
- Radius Bends that include a straight piece after the bend are available in the following radiuses: 12", 21", 24".
- Available for surface or suspend mounted installations.



### Technical Data:

- $1\frac{3}{8}$ " W x  $\frac{3}{4}$ " deep
- .060" thickness
- Best used with the following CS carrier models:
  - CS 1062N roller carrier
  - CS 1075 roller carrier
  - CS SP062 spool carrier
  - CS 1075P breakaway carrier
- End caps available in both plastic and aluminum.



DRAWING BY: CDL

DATE: 10/5/2016

**CS**™ Cubicle Curtains