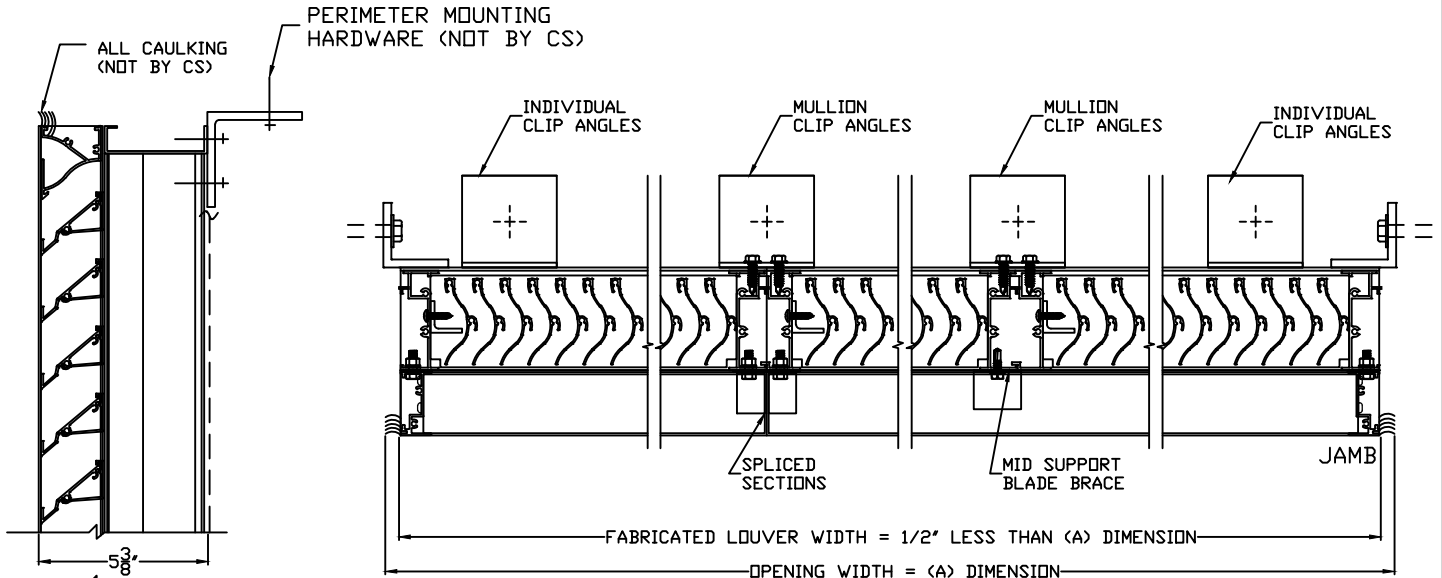
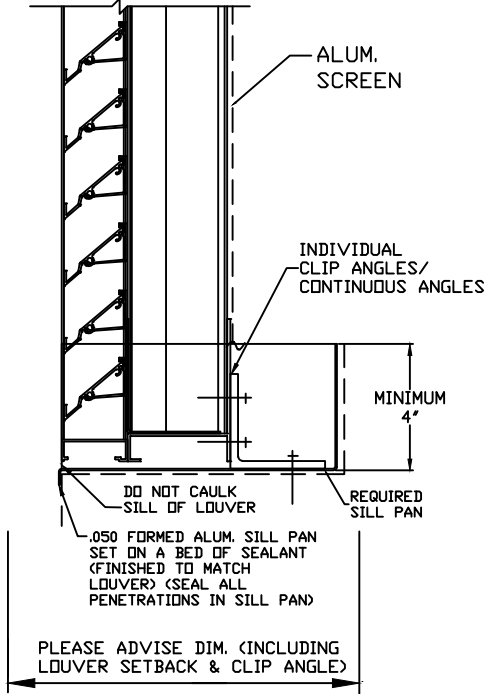


5-3/8" HORIZONTAL STORM RESISTANT LOUVER MODEL RS-5215



PLAN VIEW



VERTICAL SECTION

SCREENS

- SCREEN NOT REQUIRED
- SCREEN REQUIRED
- INTERIOR MOUNTED
- EXTERIOR MOUNTED
- BIRDSCREEN: 1/2" MESH .063 DIA. ALUM. WIRE (MILL FINISH)
- INSECT SCREEN: 18x16 ALUM. MESH (MILL FINISH)

FINISHES

- STANDARD MILL
- FLUOROPOLYMER POWDER COAT (NOT AVAILABLE IN 600XL OR 700)
- KYNAR (500), (600XL) or (700)
- (1) OF CS STD. COLORS
- CUSTOM COLOR, CS REQUIRES A COLOR CHIP FOR MATCHING
- BRONZE ANODIC (DARK OR MED.)
- CLEAR ANODIZE
- OTHER _____

CS EXTRUDED ALUMINUM STORM RESISTANT LOUVER MODEL RS-5215. FRAMES AND BLADES TO BE FABRICATED FROM 6063-T6 ALLOY WITH REINFORCING BOSSES. ALL FASTENERS TO BE STAINLESS STEEL.

UNSUPPORTED BLADE LENGTH = @ PSF.

MARK	QTY.	"A" DIM.	"B" DIM.	NUMBER OF SPLICES	LOUVER LOCATION	REMARKS
Construction Specialties, Inc. 3 Werner Way Lebanon, New Jersey 08833 (800) 233-8493						CKD. BY:
						DRAWN BY:
						DATE:
						DWG. NO:
						SHEET OF
PROJECT:				DRAWN BY:		
CUSTOMER:				DATE:		
ARCH'T:				DWG. NO:		
AGENT:				SHEET OF		