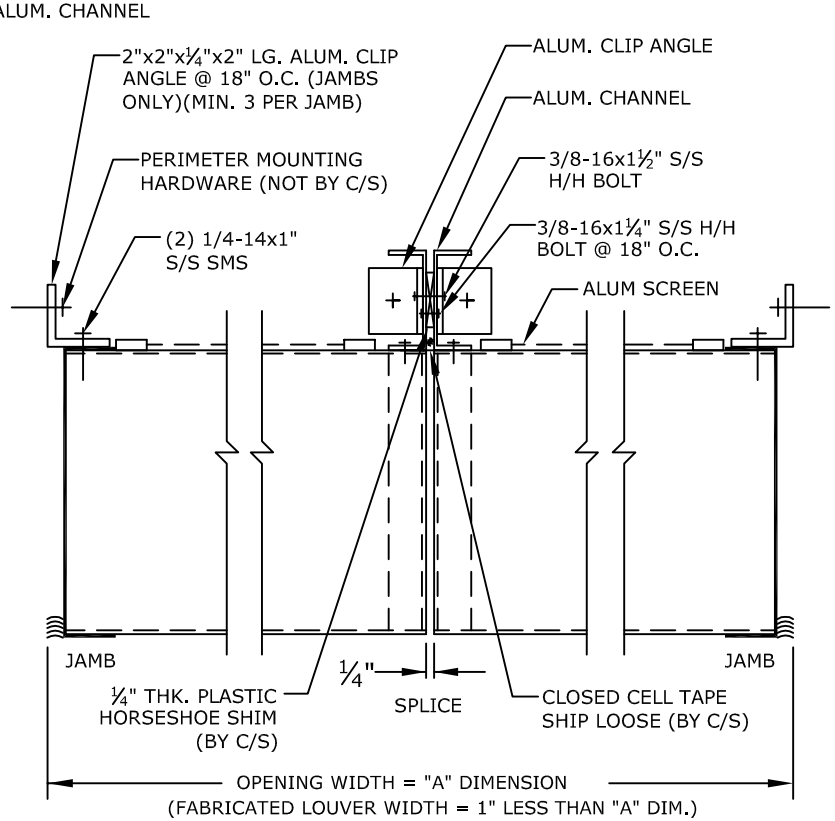
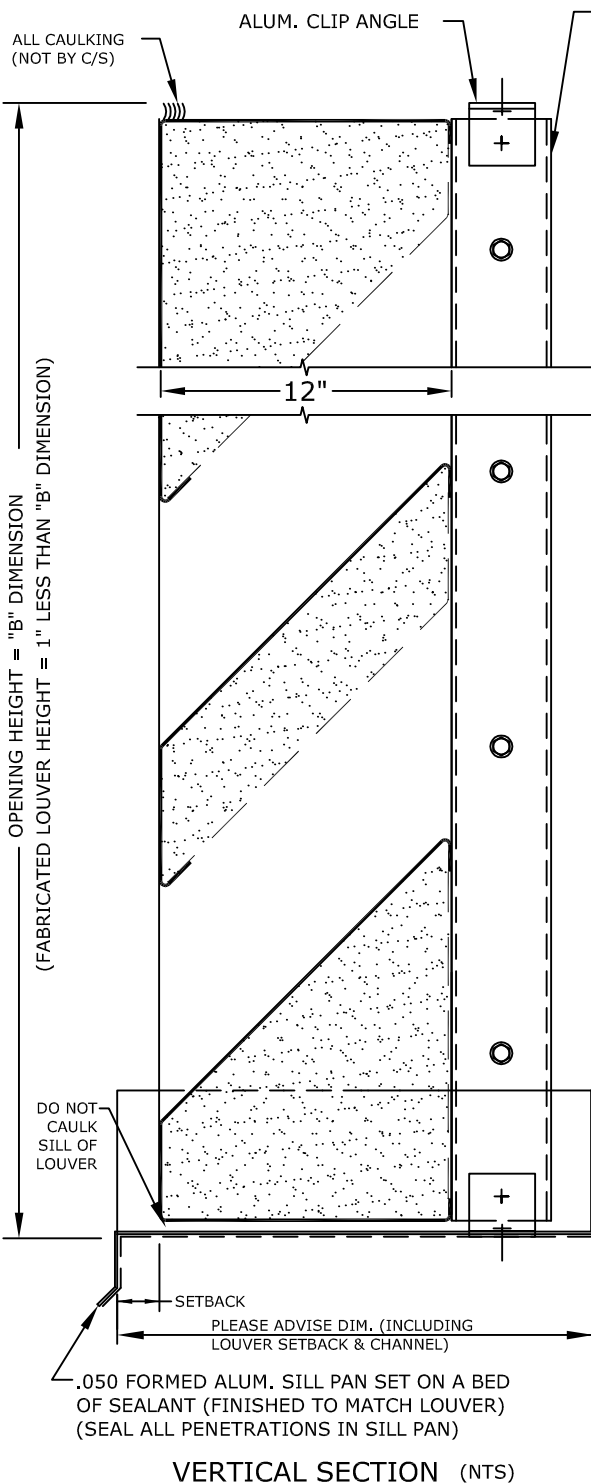


ACOUSTICAL MULLION LOUVERS MODEL A12375



.050x6" ALUM. LINE UP FOR LOUVERS LARGER THAN 11'-6" IN WIDTH (SET IN SEALANT)

PLAN VIEW NTS

SCREENS

- SCREEN NOT REQUIRED
- SCREEN REQUIRED
- INTERIOR MOUNTED
- EXTERIOR MOUNTED
- BIRDSCREEN: 1/2" MESH .063 DIA. ALUM. WIRE (MILL FINISH)
- INSECT SCREEN: 18x16 ALUM. MESH (MILL FINISH)

FINISHES

- STANDARD MILL
- FLUOROPOLYMER POWDER COAT (NOT AVAILABLE IN 600XL OR 700)
- KYNAR (500), (600XL) or (700)
- (1) OF C/S STD. COLORS
- CUSTOM COLOR, C/S REQUIRES A COLOR CHIP FOR MATCHING
- BRONZE ANODIC (DARK OR MED.)
- CLEAR ANODIZE
- OTHER _____

C/S FORMED ALUMINUM FIXED ACOUSTICAL LOUVER MODEL A12375. FRAMES AND BLADES TO BE FABRICATED FROM ALUMINUM SHEET WITH A NOMINAL .081" MATERIAL THICKNESS. ALL FASTENERS TO BE STAINLESS STEEL.

UNSUPPORTED BLADE LENGTH = @ PSF.

VERTICAL SECTION (NTS)

MARK	QTY.	"A" DIM.	"B" DIM.	NUMBER OF MULLIONS	LOUVER LOCATION	REMARKS

Construction Specialties, Inc.
49 Meeker Avenue
Cranford, New Jersey 07016
(908) 272-5200
Fax (908) 272-6038

PROJECT:
CUSTOMER:
ARCH'T:
AGENT:

DRAWN BY:	
DATE:	
DWG. NO:	
SHEET OF	