

KBC & KBCW 400-600

TECHNICAL DATA:

Aluminum

- Extrusion – CS uses multiple alloys & tempers which are established to be the most appropriate for the given use of individual parts. Will be one of the following: (6063-T5, T6, T52) (6061-T5, T6, T51) (6105-T5, T6) (6005-T5) (6005A-T5, T61), ASTM B221

Vapor Barrier

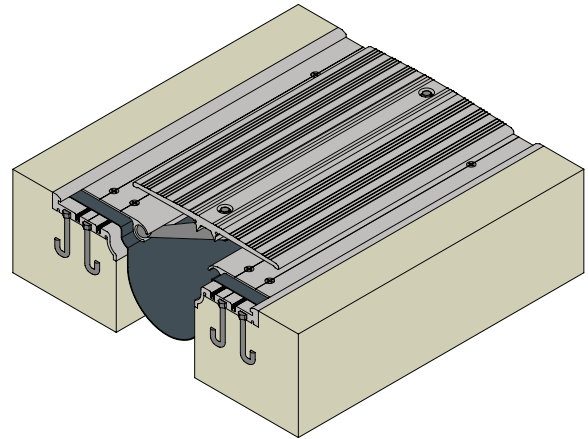
- Material: 7-Ply Polyethylene, ASTM-E-1745-11
- Color: Black
- 3" Tensile Strength: 275 lbs., ASTM-D-882
- Puncture Strength: 79 lbs., ASTM-D-4833
- PPT Resistance: 62 lbs., ASTM-D-2582

Turnbar

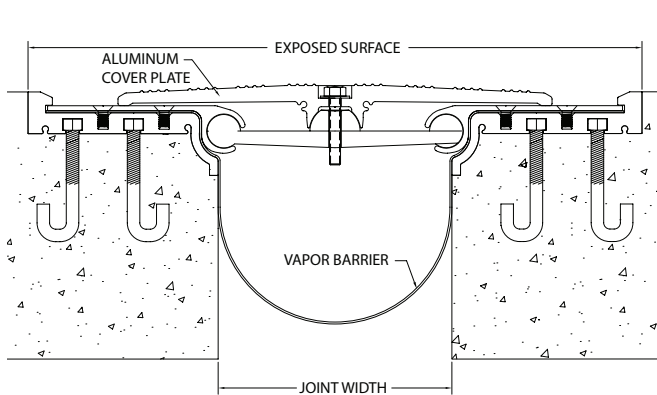
- Cast Aluminum – SR-319-F

Standard Loading

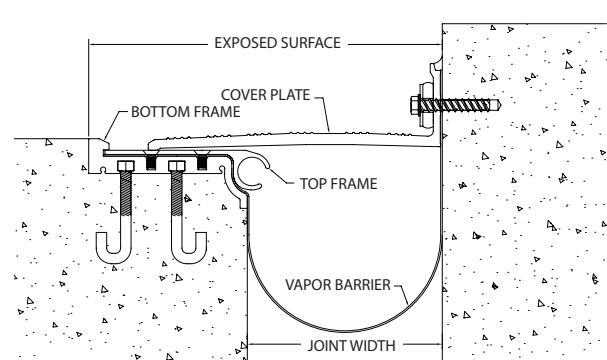
- Vehicular loading (3,000 lb. point load per IBC 2009)
- Models for increased loading (HS-20, etc.) available please consult factory



MODEL	JOINT WIDTH	MINIMUM OPENING	MAXIMUM OPENING	EXPOSED SURFACE	BLOCKOUT WIDTH	BLOCKOUT HEIGHT
KBC-400	4.00" (102mm)	1.25" (32mm)	6.25" (159mm)	11.44" (291mm)	N/A	N/A
KBC-500	5.00" (127mm)	2.50" (64mm)	9.50" (241mm)	14.44" (367mm)	N/A	N/A
KBC-600	6.00" (152mm)	2.50" (64mm)	9.25" (235mm)	15.44" (392mm)	N/A	N/A
KBCW-400	4.00" (102mm)	2.50" (64mm)	5.00" (127mm)	7.75" (197mm)	N/A	N/A
KBCW-500	5.00" (127mm)	4.00" (102mm)	7.75" (197mm)	9.75" (248mm)	N/A	N/A
KBCW-600	6.00" (152mm)	4.00" (102mm)	7.75" (197mm)	10.75" (273mm)	N/A	N/A



KBC



KBCW