

APF & APFW

TECHNICAL DATA:

Aluminum

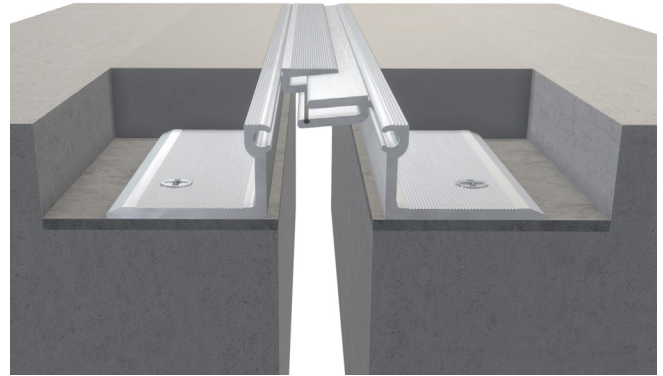
- CS uses multiple alloys & tempers which are established to be the most appropriate for the given use of individual parts.
- Extrusion - 6063-T5, T6, T52, 6061-T5, T6, T51, 6105-T5, T6, 6005-T5, 6005A-T5, T61, ASTM B221

Loading

- Forklifts with full or pneumatic tires of a permissible total weight equal to 16,000 lbs.
- Trucks with pneumatic tires of a permissible total weight equal to 67,000 lbs.
- Vehicles and goods handling trucks with tires of hard plastics. The permissible load dependent on tire width is 15 lbs. per every mm of a tire width.

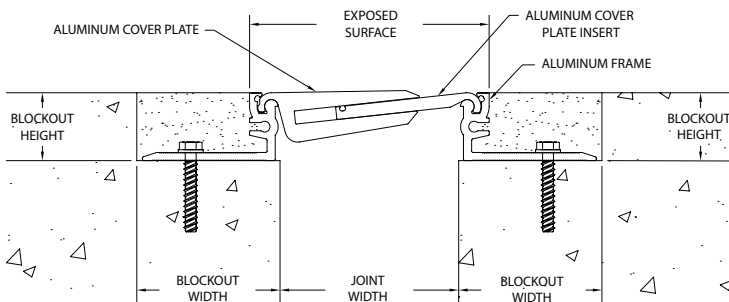
Frame Heights

- 1/2" - 1" for 1" models
- 1 1/2" - 2" for 2" - 4" model

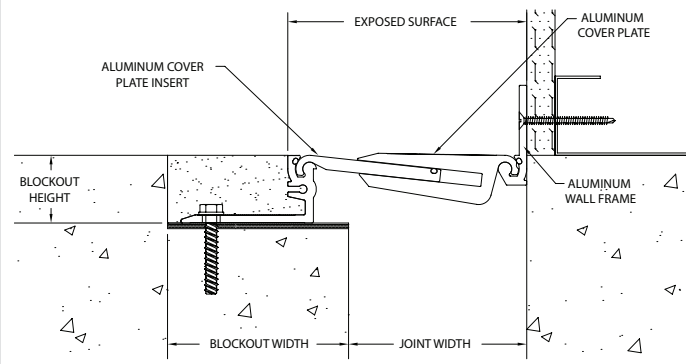


Capable of Lateral Movement

| MODEL | JOINT WIDTH | MINIMUM OPENING | MAXIMUM OPENING | EXPOSED SURFACE | BLOCKOUT WIDTH | BLOCKOUT HEIGHT |
|----------|---------------|-----------------|-----------------|-----------------|----------------|-----------------|
| APF-100 | 1.00" (25mm) | 0.75" (19mm) | 1.25" (32mm) | 1.70" (43mm) | VARIES | VARIES |
| APF-200 | 2.00" (51mm) | 1.63" (41mm) | 2.38" (60mm) | 3.30" (84mm) | VARIES | VARIES |
| APF-300 | 3.00" (76mm) | 2.50" (64mm) | 3.50" (89mm) | 4.37" (111mm) | VARIES | VARIES |
| APF-400 | 4.00" (102mm) | 3.25" (83mm) | 4.75" (121mm) | 5.28" (134mm) | VARIES | VARIES |
| APFW-100 | 1.00" (25mm) | 0.75" (19mm) | 1.25" (32mm) | 1.70" (43mm) | VARIES | VARIES |
| APFW-200 | 2.00" (51mm) | 1.63" (41mm) | 2.38" (60mm) | 3.30" (84mm) | VARIES | VARIES |
| APFW-300 | 3.00" (76mm) | 2.50" (64mm) | 3.50" (89mm) | 4.37" (111mm) | VARIES | VARIES |
| APFW-400 | 4.00" (102mm) | 3.25" (83mm) | 4.75" (121mm) | 5.28" (134mm) | VARIES | VARIES |



APF



APFW