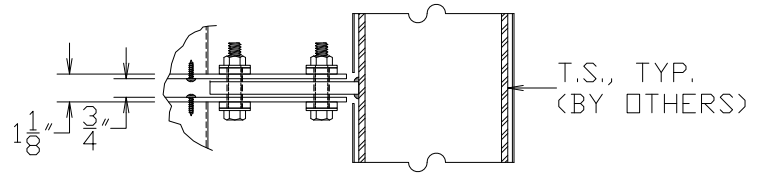
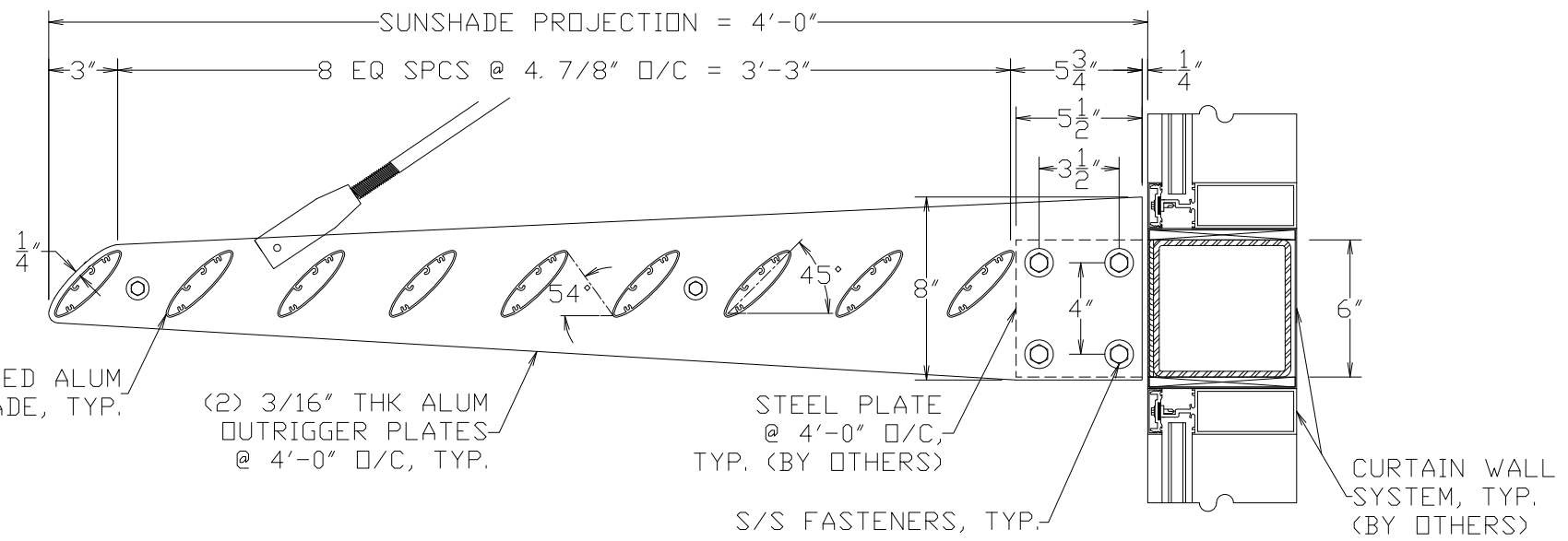
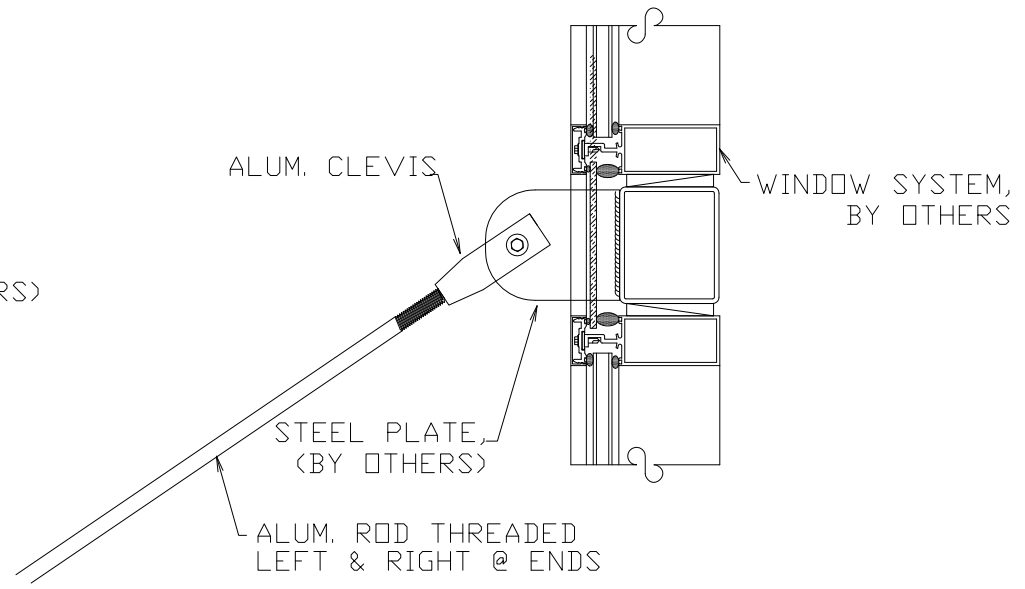


NOTE:
 SUNSHADE SYSTEM IS BASED ON ASSUMED
 DESIGN PRESSURE OF 50 PSF ONLY.



PLAN VIEW DETAIL OF
 CUSTOM AIRFOIL-SUNSHADE SYSTEM



SECTION VIEW DETAIL OF
 CUSTOM AIRFOIL-SUNSHADE SYSTEM

SUNSHADE DESIGNS MUST MEET LOCAL CODE REQUIREMENTS
 PLEASE CONTACT C/S REPRESENTATIVE IN YOUR AREA
 FOR ASSISTANCE.

100-3S-7



Construction Specialties™
 49 Meeker Avenue, Cranford, NJ 07016-3198
 Phone (800)-526-6930 / Fax (908)-272-6038

PROJECT:	SCALE: 1/8" = 1'
LOCATION:	DSGN & DRW BY: MENA MORCOS
ARCH'S:	DATE: 06/25/01
AGENT:	DRW NO: 1 OF 1