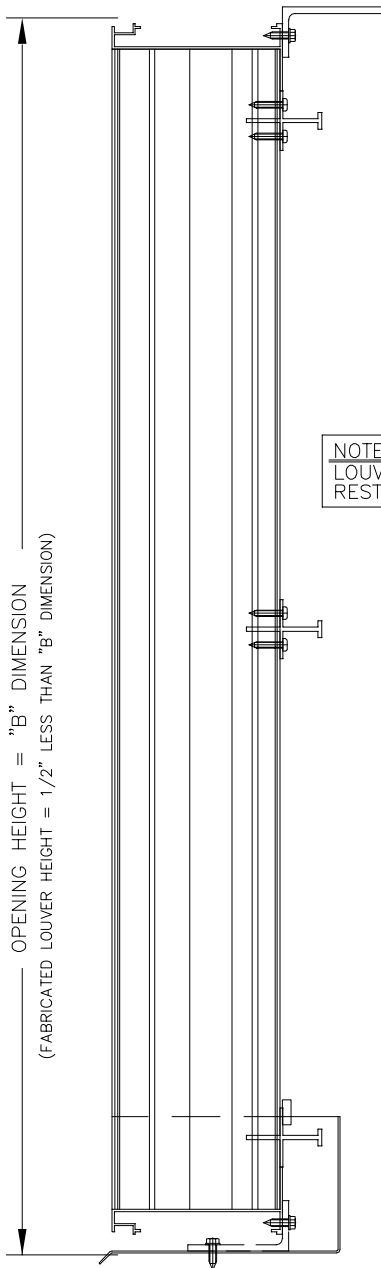
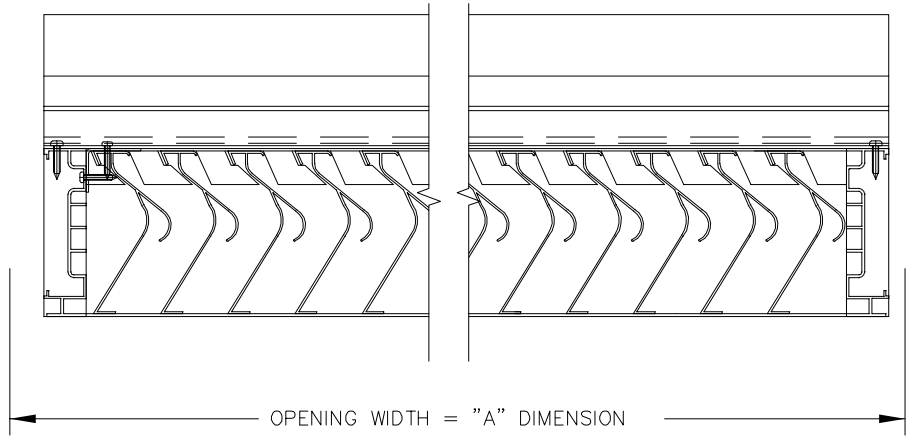


DADE COUNTY HURRICANE LOUVER – MODEL DCV-5704



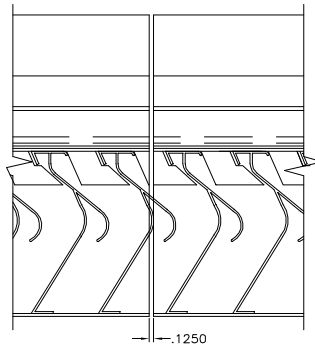
OPENING HEIGHT = "B" DIMENSION
 (FABRICATED LOUVER HEIGHT = 1/2" LESS THAN "B" DIMENSION)

NOTE:
LOUVER HEIGHT
RESTRICTED TO 12'-0"



OPENING WIDTH = "A" DIMENSION
 (FABRICATED LOUVER WIDTH = 1/2" LESS THAN "A" DIM.)

PLAN VIEW



SPLICE

**SUBSTRATE
JAMBS**

- CONCRETE/CMU
- STEEL
- ALUMINUM THICKNESS _____
- STEEL STUD GAGE _____
- WOOD _____
- ALUM. SOCKET FLANGE _____

CONCRETE/CMU MINIMUM 3000 PSI
WOOD G=0.42 MIN.

HEAD

- CONCRETE/CMU
- STEEL
- ALUMINUM THICKNESS _____
- STEEL STUD GAGE _____
- WOOD _____
- ALUM. SOCKET FLANGE _____

STEEL 3/16" THK MIN.
ALUMINUM 1/8" THK MIN.

SILL

- CONCRETE/CMU
- STEEL
- ALUMINUM THICKNESS _____
- STEEL STUD GAGE _____
- WOOD _____
- ALUM. SOCKET FLANGE _____

STEEL STUD MIN 16 GAGE
ALUM. SOCKET FLANGE 3/16" MIN.

SCREENS

- SCREEN NOT REQUIRED
- SCREEN REQUIRED
- INTERIOR MOUNTED
- EXTERIOR MOUNTED
- BIRDSCREEN-5/8" EXP. ALUM. MESH IN ALUMINUM FRAME.
- INSECT SCREEN (18x16 MESH)

FINISHES

- STANDARD MILL
- DURACOLOR 400
- KYNAR 500
- (1) C/S STANDARD COLORS
- CUSTOM COLOR, C/S REQUIRES A COLOR CHIP FOR MATCHING
- ARCHITECTURAL CLASS I (MED OR DARK) BRONZE ANODIC COATING
- 204-R1 CLEAR ANODIZE
- OTHER _____

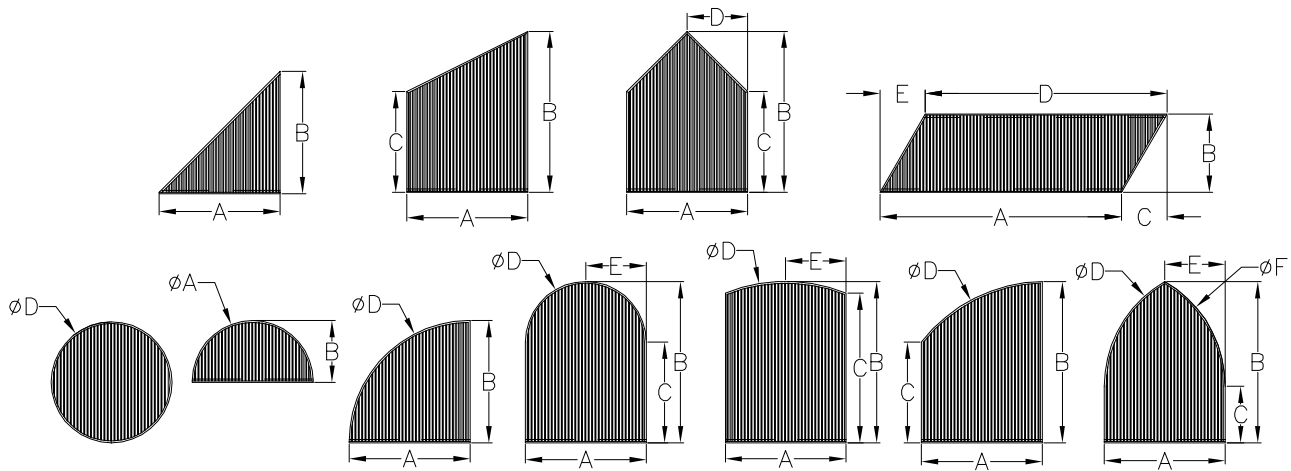
C/S EXTRUDED ALUMINUM DADE COUNTY HURRICANE LOUVER 5" DEEP MODEL DCV-5704. FRAMES AND BLADES TO BE FABRICATED FROM 6063-T6 ALLOY. FRAME COMPONENTS TO HAVE A NOMINAL .081" MATERIAL THICKNESS. BLADES TO HAVE A .060" MATERIAL THICKNESS. ALL FASTENERS TO BE STAINLESS STEEL.

UNSUPPORTED BLADE LENGTH = @ PSF.

VERTICAL SECTION

MARK	QTY.	"A" DIM.	"B" DIM.	NUMBER OF MULLIONS	LOCATION	REMARKS
Construction Specialties, Inc. 49 Meeker Avenue Cranford, New Jersey 07016 (908) 272-5200 Fax (908) 272-6038						PROJECT:
						DRAWN BY:
						CUSTOMER:
						DATE:
Construction Specialties, Inc.						ARCH'T:
						DWG. NO:
Construction Specialties, Inc.						AGENT:
						SHEET OF

DADE COUNTY HURRICANE LOUVER – MODEL DCV-5704



SUBSTRATE

JAMBS

- CONCRETE/CMU
- STEEL
- ALUMINUM THICKNESS _____
- STEEL STUD GAGE _____
- WOOD _____
- ALUM. SOCKET FLANGE _____

CONCRETE/CMU MINIMUM 3000 PSI
WOOD G=0.42 MIN.

HEAD

- CONCRETE/CMU
- STEEL
- ALUMINUM THICKNESS _____
- STEEL STUD GAGE _____
- WOOD _____
- ALUM. SOCKET FLANGE _____

STEEL 3/16" THK MIN.
ALUMINUM 1/8" THK MIN.

SILL

- CONCRETE/CMU
- STEEL
- ALUMINUM THICKNESS _____
- STEEL STUD GAGE _____
- WOOD _____
- ALUM. SOCKET FLANGE _____

STEEL STUD MIN 16 GAGE
ALUM. SOCKET FLANGE 3/16" MIN.

SCREENS

- SCREEN NOT REQUIRED
- SCREEN REQUIRED
- INTERIOR MOUNTED
- EXTERIOR MOUNTED
- BIRDSCREEN-5/8" EXP. ALUM. MESH IN ALUMINUM FRAME.
- INSECT SCREEN (18x16 MESH)

FINISHES

- STANDARD MILL
- DURACOLOR 400
- KYNAR 500
- (1) C/S STANDARD COLORS
- CUSTOM COLOR, C/S REQUIRES A COLOR CHIP FOR MATCHING
- ARCHITECTURAL CLASS I (MED OR DARK) BRONZE ANODIC COATING
- 204-R1 CLEAR ANODIZE
- OTHER _____

C/S EXTRUDED ALUMINUM DADE COUNTY HURRICANE LOUVER 5" DEEP MODEL DCH-5704. FRAMES AND BLADES TO BE FABRICATED FROM 6063-T6 ALLOY. FRAME COMPONENTS TO HAVE A NOMINAL .081" MATERIAL THICKNESS. BLADES TO HAVE A .060" MATERIAL THICKNESS. ALL FASTENERS TO BE STAINLESS STEEL.

UNSUPPORTED BLADE LENGTH = @ PSF.

MARK	QTY.	"A" DIM.	"B" DIM.	"C" DIM.	"D" DIM.	"E" DIM.	"F" DIM.	LOCATION	REMARKS

CKD.	DRAWN
BY:	BY:
	DATE:
	DWG. NO:
	SHEET OF

Construction Specialties, Inc.
49 Meeker Avenue
Cranford, New Jersey 07016
(908) 272-5200
Fax (908) 272-6038

PROJECT:	
CUSTOMER:	
ARCH'T:	
AGENT:	