

INSTALLATION INSTRUCTIONS FOR VERTICAL LINE STORM RESISTANT LOUVERS

MODELS

RS-3700, RS-3900, RS-4600, RS-4605, RS-5215, RS-5216, RS-5225,
RS-5226, RS-5605, RSV-5700, RS-5800, RS-5900, RS-9615

- READ THESE INSTRUCTIONS COMPLETELY BEFORE STARTING INSTALLATION.
- USE THESE INSTRUCTIONS IN CONJUNCTION WITH C/S SHOP DRAWINGS



Construction Specialties™

3 Werner Way, Lebanon, NJ 08833
PHONE: 1-800-631-7379 FAX: 908-272-5844
www.c-sgroup.com

STEP-1

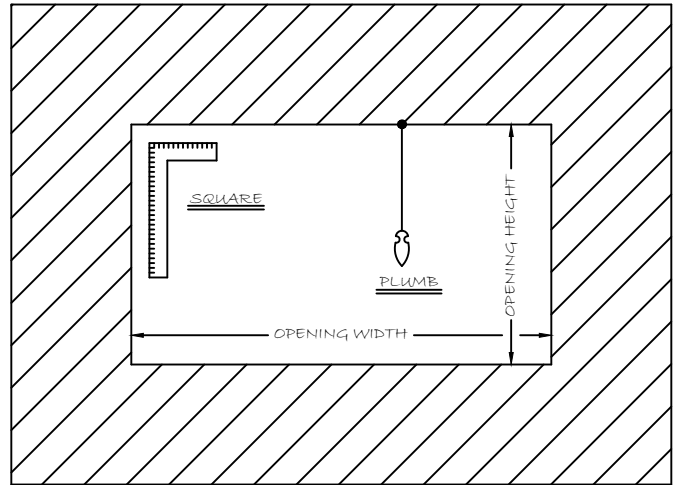
PREPARATION

1. TO BEGIN INSTALLATION OF FACTORY ASSEMBLED LOUVERS, YOU MUST FIRST BE IN RECEIPT OF THE SHIPMENTS PACKING LIST, AND SHOP DRAWINGS.
2. LOCATE ALL CRATES, BOXES, CARTONS, ETC...
3. INDIVIDUAL LOUVER SECTIONS ARE ALSO MARKED AT FAR RIGHT ON THE PACKING LIST AS TO THEIR CRATE, CARTON, BOX, ETC...
4. START WITH THE FIRST LOUVER. REMOVE AND IDENTIFY THE PARTS FROM APPROPRIATE PACKAGES FOR THAT LOUVER. CHECK FOR CORRECT QUANTITIES FOR EACH ACCORDING TO PACKING LIST.
5. AFTER ALL PARTS ARE SEPARATED AND IDENTIFIED BY LOUVER NUMBER AND IT IS DETERMINED THAT NO PARTS ARE MISSING, PROCEED TO MOVE THESE GROUPS TO THEIR DESIGNATED OPENINGS.
6. IF THERE ARE MISSING PARTS, COMPONENTS OR HARDWARE, PLEASE NOTIFY THE FACTORY IN DEL RIO, TX (830) 774-0151.

STEP-2

PREPARATION

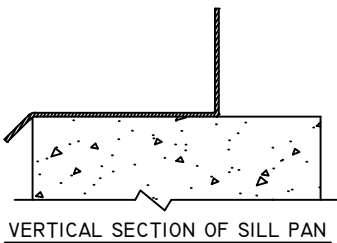
1. INSPECT OPENINGS FOR DAMAGE THAT MAY PREVENT INSTALLATION OF LOUVERS, OR MATERIALS PLACED IN OPENINGS BY OTHER TRADES. REPAIR OPENINGS OR REMOVE OBSTRUCTION AS REQUIRED.
2. BE SURE OPENING IS SQUARE AND PLUMB AS WELL AS MATCHING OPENING SIZES SHOWN ON THE SHOP DRAWINGS. (SEE DIAGRAM BELOW)



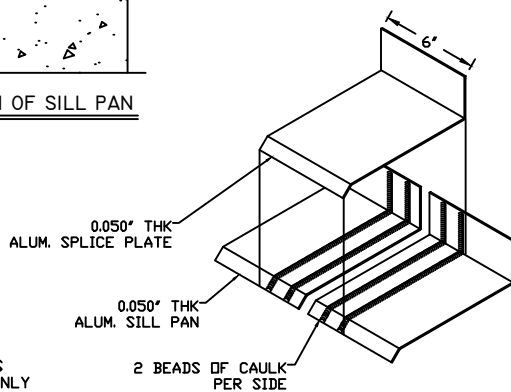
STEP-3

INSTALLING SILL EXTENSION

1. LOCATE SILL EXTENSION IF SPECIFIED ON SHOP DRAWINGS.
2. APPLY CAULK (NOT BY C/S) TO SILL OF OPENING AND SET SILL EXTENSION IN CAULK.



VERTICAL SECTION OF SILL PAN



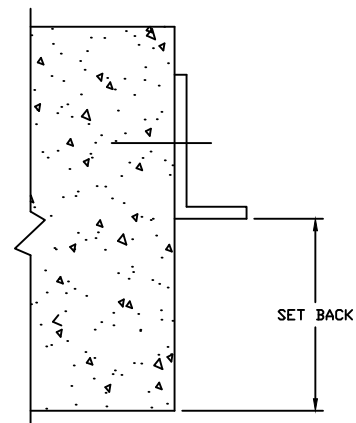
NOTE:
SPlice PAN SECTIONS
BETWEEN MULLIONS ONLY

3. IF THE SILL PAN NEEDS TO BE SPLICED, LEAVE A 1/4" GAP BETWEEN SECTIONS FOR EXPANSION AND CONTRACTION
4. APPLY CAULK (NOT BY C/S) TO EDGES OF SILL PAN AND FIRMLY PRESS THE SPLICE PLATE ON THE GAP AS SHOWN

STEP-4

ATTACHING CLIP ANGLES TO WALL

1. DRILL ALL HOLES IN CLIP ANGLE FOR ANCHORS TO WALL. (ANCHORS NOT BY C/S)
2. REFER TO SHOP DRAWINGS TO DETERMINE SET BACK OF CLIP ANGLES ON JAMB IN RELATION TO WALL.
3. MEASURE SET BACK DISTANCE OF CLIP ANGLES FROM WALL, AND DRILL HOLES INTO WALL.
4. ATTACH CLIP ANGLES TO WALL WITH ANCHORS. (NOT SUPPLIED BY C/S.) (SEE DIAGRAM BELOW)

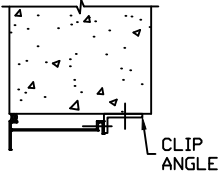


PLAN VIEW OF WALL

STEP-5

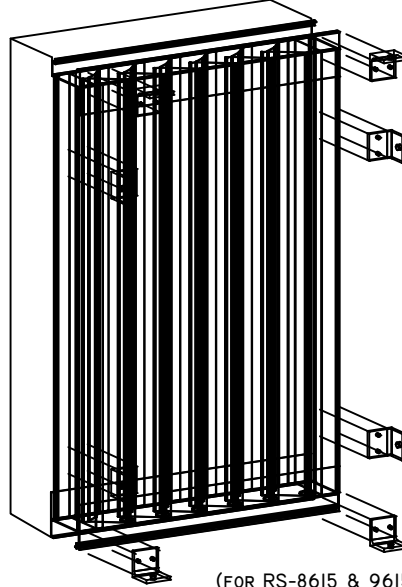
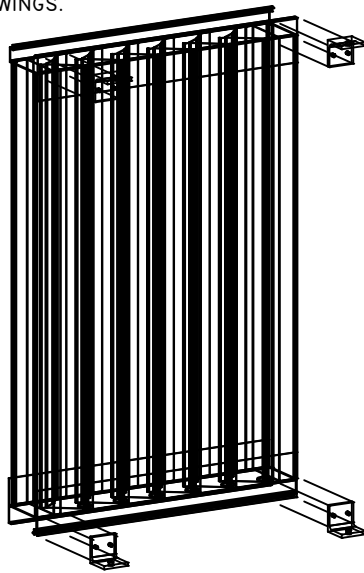
INSTALLING A SINGLE SECTION LOUVER

1. PLACE LOUVER SECTION INTO OPENING.
2. SHIM AROUND PERIMETER OF LOUVER TO PROVIDE FOR PROPER CLEARANCES AS SHOWN IN SHOP DRAWINGS.
3. ONCE PROPER CLEARANCE SPECIFICATIONS ARE MET, USE HOLES PROVIDED IN CLIP ANGLE TO DRILL PILOT HOLES IN JAMB. FASTEN JAMB TO CLIP ANGLES WITH FASTENERS AS PROVIDED BY C/S. NOTE, JAMB CLIPS ARE NOT REQUIRED ON ALL LOUVERS, VERIFY WITH SHOP DRAWINGS.



VERTICAL SECTION OF HEAD

(FOR RS MODELS)

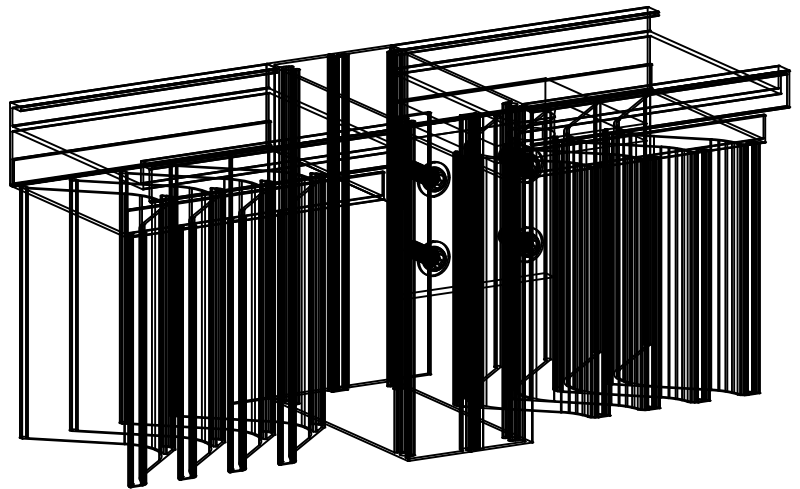


(FOR RS-8615 & 9615)

STEP-6

INSTALLING MULTI-SECTION LOUVERS

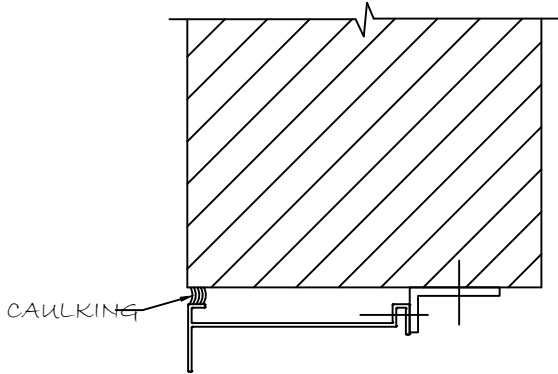
1. IF LOUVER IS A MULTI-SECTION LOUVER INSTALL SECTION #1 (FAR LEFT SECTION AS VIEWED FROM EXTERIOR) AS NOTED IN STEP 5 ABOVE. LOCATE THE NEXT LOUVER SECTION. MEASURE SET BACK OF CLIP ANGLE AT TOP AND BOTTOM OF MULLION, DRILL HOLES AND ATTACH WITH ANCHORS. (NOT BY C/S)
2. PUT SECTION IN OPENING AND INTERLOCK MULLION JOINT. INSERT SHIMS UNDER LOUVER SECTION TO PROVIDE FOR CLEARANCE AS SHOWN IN SHOP DRAWINGS. MAKE SURE SECOND SECTION ALIGNS WITH FIRST SECTION.
3. USE HOLES PROVIDED IN CLIP ANGLE TO DRILL PILOT HOLES IN MULLION. ATTACH CLIP ANGLE TO MULLION USING SHEET METAL SCREW. (PROVIDED BY C/S) REFER TO C/S SHOP DRAWINGS FOR DETAILS.
4. CONTINUE PROCESS UNTIL ALL SECTIONS ARE INSTALLED.



STEP-7

CAULKING

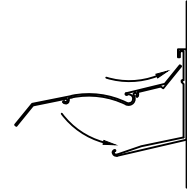
1. IF REQUIRED CAULK AROUND ENTIRE PERIMETER OF LOUVER (SEE DIAGRAM BELOW) (CAULKING NOT SUPPLIED BY C/S.)



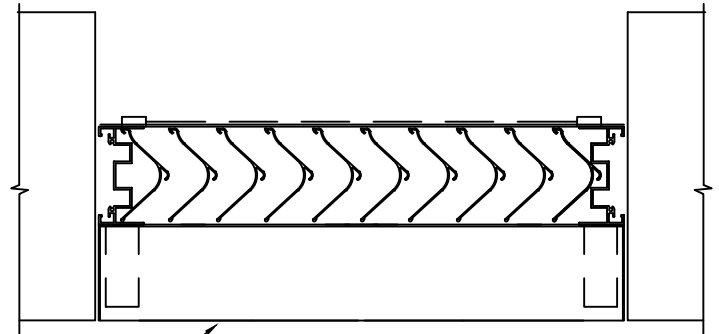
STEP-8

INSTALLING BLADES

1. SNAP BLADES AS SHOWN (SEE DIAGRAM BELOW) INSERT UPPER END OF BLADE INTO SLOT IN TOP OF BLADE BRACE. ROTATE BLADE DOWN UNTIL BLADE BRACE SNAPS INTO SCREW BOSS ON BLADE.
2. FASTEN SCREEN TO BACK OF HEAD, SILL, AND BLADES BETWEEN VERTICAL SUPPORTS. (SEE DIAGRAM BELOW)



BLADE SNAPPING INTO BLADE BRACE



BLADE

PLAN VIEW OF JAMBS WITH BLADE

FOR PROBLEMS WITH MATERIAL SIZES, QUANTITIES, OR ERECTION,
NOTIFY: CONSTRUCTION SPECIALTIES, INC.,
DEL RIO, TX PRODUCTION DEPARTMENT, IMMEDIATELY.
107 JOHNSON BLVD. DEL RIO, TX 78840
TELEPHONE: (830) 774-0151