

## KICK AND PUSH PLATE DOOR PROTECTORS

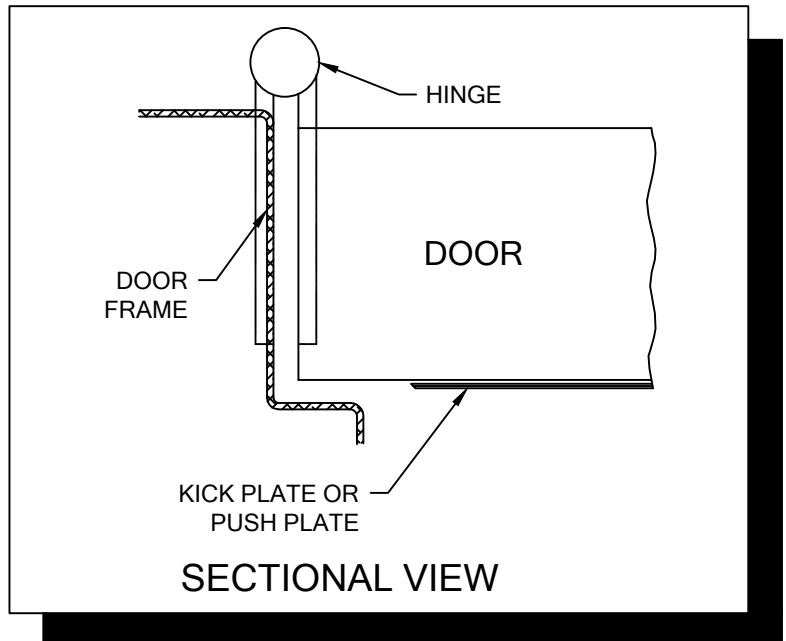
### PLEASE READ

PLEASE READ THESE INSTRUCTIONS THOROUGHLY PRIOR TO BEGINNING THE PLATE INSTALLATION!

THIS INSTRUCTION SHEET IS INTENDED TO PROVIDE A SPECIFIC GUIDE TO FOLLOW FOR THE INSTALLATION OF THIS PLATE. CONTAINED WITHIN IS THE TECHNICAL INFORMATION AND INSTALLATION TECHNIQUES REQUIRED TO COMPLETE AN EFFICIENT, NEAT AND LONG-LASTING INSTALLATION.

INSPECT ALL MATERIALS FOR DAMAGE OR MISSING PARTS. IF YOU DISCOVER DAMAGED OR MISSING MATERIALS, IN THE USA PLEASE NOTIFY THE FACTORY AT (800) 233-8493, AND IN CANADA (888) 895-8955 FOR CUSTOMER SERVICE.

PLATES MUST BE INSTALLED IN ACCORDANCE WITH THESE INSTRUCTIONS! FAILURE TO FOLLOW THESE INSTRUCTIONS MAY VOID ANY PRODUCT WARRANTIES AND RESULT IN AN UNSUCCESSFUL INSTALLATION. FOR SPECIFIC QUESTIONS REGARDING THE INSTALLATION OF THIS PLATE PLEASE CALL THE FACTORY IN THE USA AT (800) 233-8493 OR EMAIL [IWPTECHSUPPORT@C-SGROUP.COM](mailto:IWPTECHSUPPORT@C-SGROUP.COM). IN CANADA CALL (888) 895-8955.

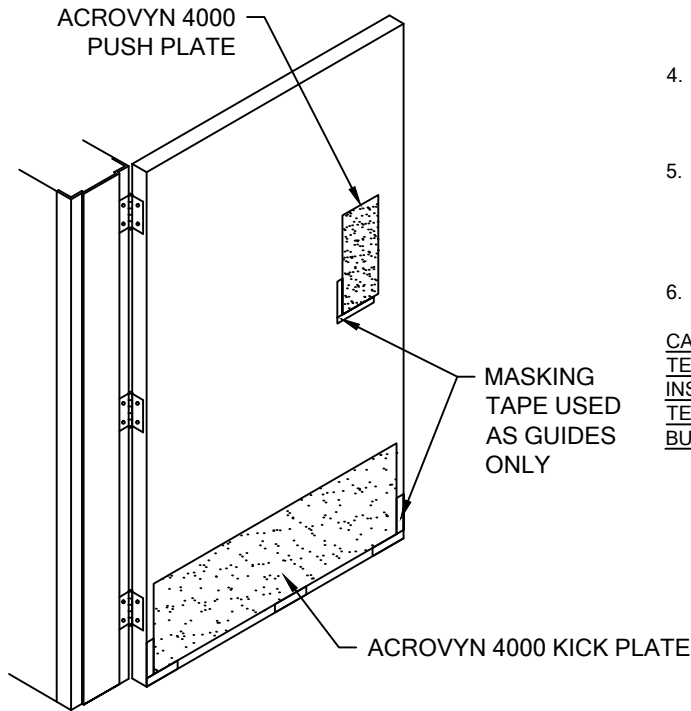
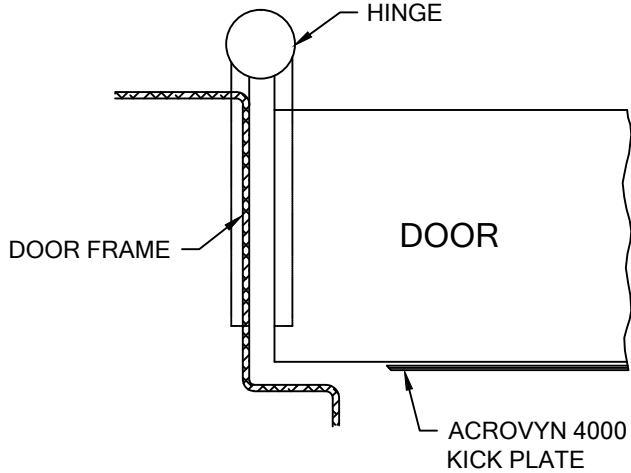


### IMPORTANT NOTES

1. ALL DIMENSIONS ARE TYPICAL.
2. MATERIAL MUST REACH 65°F MIN. TO 75°F MAX. 24 HOURS PRIOR TO INSTALLATION. THIS IS ESSENTIAL TO MINIMIZE EXPANSION AND CONTRACTION OF MATERIAL.
3. DO NOT EXPOSE ACROVYN OR LEXAN PLATES TO ELEVATED TEMPERATURES OR DIRECT SUNLIGHT AFTER INSTALLATION. THIS WILL CAUSE THE SURFACE TEMPERATURE TO RISE, WHICH IN TURN WILL CAUSE BUBBLES AND DELAMINATION.
4. ONE WH (WARNOCK HERSEY) LABEL AND COMPANY IDENTIFIER PER ACROVYN PLATE ASSEMBLY ONLY.
5. FOR MORE INFORMATION ON KICK AND PUSH PLATE DOOR PROTECTS SEE OUR WEBSITE AT [www.c-sgroup.com](http://www.c-sgroup.com).

**KICK AND PUSH PLATE DOOR PROTECTORS**

ACROVYN PLATES



1. ACCLIMATE ALL MATERIALS TO ROOM TEMPERATURE 24 HOURS PRIOR TO INSTALLATION. THE MATERIALS SHOULD NOT BE INSTALLED AT AMBIENT ROOM TEMPERATURES BELOW 65°F.
2. THE INSTALLATION SURFACE MUST BE THOROUGHLY CLEANED, FREE OF DIRT, GREASE, WAX, OIL, AND LOOSE PAINT.

TAPE APPLICATIONS

3. MASKING TAPE MAY BE UTILIZED AS A POSITIONING GUIDE DURING INSTALLATION OF THE PLATE.
4. PEEL THE PAPER BACKING FROM THE BACK OF THE PLATE AND POSITION IT PROPERLY.
5. APPLY PRESSURE TO THE ENTIRE SURFACE OF THE PLATE. PRESSURE ROLL THE MATERIAL TO SET THE ADHESIVE.
6. REMOVE MASKING TAPE, IF USED.

ADHESIVE APPLICATIONS

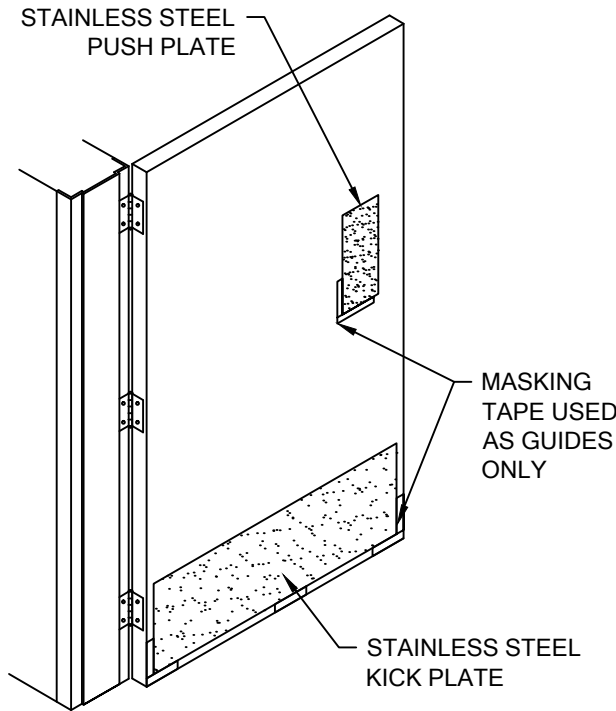
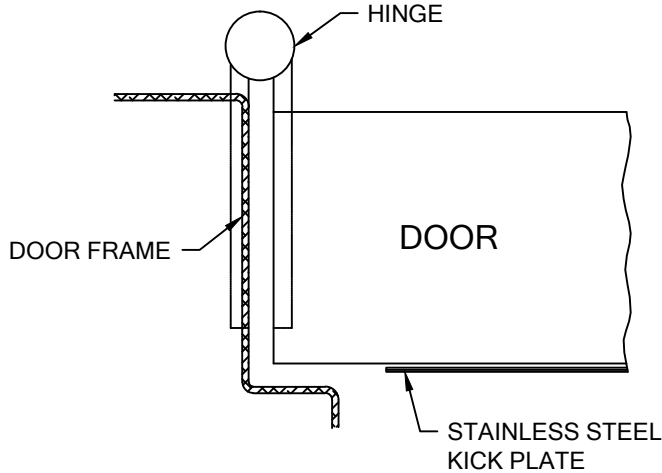
3. MASK AREA DIRECTLY ADJACENT THE DOOR PROTECTION TO AVOID OVER SPREADING OF THE CONTACT ADHESIVE. MASKING TAPE MAY ALSO BE UTILIZED AS A POSITIONING GUIDE DURING INSTALLATION OF THE PLATE.
4. APPLY THE CONTACT ADHESIVE TO THE DOOR, AND PLATE MATERIALS, IN ACCORDANCE WITH THE ADHESIVE INSTRUCTIONS.
5. ONCE THE CONTACT ADHESIVE HAS DRIED, POSITION THE PLATE ON THE DOOR USING THE MASKING TAPE AS A GUIDE. PRESSURE ROLL THE MATERIALS TO SET THE ADHESIVE.
6. REMOVE MASKING TAPE, IF USED.

CAUTION: DO NOT EXPOSE DOOR PROTECTION TO ELEVATED TEMPERATURES OR DIRECT SUNLIGHT AFTER THE INSTALLATION. THIS WILL CAUSE THE SURFACE TEMPERATURE TO RISE, WHICH IN TURN WILL CAUSE BUBBLES AND DELAMINATION.

CONDITION	SPECIFIED FASTENER	QUANTITY	C/S PART NUMBER
WOOD & METAL DOORS	DOUBLE SIDED TAPE	FACTORY APPLIED	90M170002
WOOD & METAL DOORS	FASTBOND 30 ADHESIVE	5 GALLON 1 GALLON 1 QUART	90M016001 90M014001 90M015001

**KICK AND PUSH PLATE DOOR PROTECTORS**

STAINLESS STEEL PLATES



1. ACCLIMATE ALL MATERIALS TO ROOM TEMPERATURE 24 HOURS PRIOR TO INSTALLATION. THE MATERIALS SHOULD NOT BE INSTALLED AT AMBIENT ROOM TEMPERATURES BELOW 65°F.
2. THE INSTALLATION SURFACE MUST BE THOROUGHLY CLEANED, FREE OF DIRT, GREASE, WAX, OIL, AND LOOSE PAINT.
3. MASK AREA DIRECTLY ADJACENT THE DOOR PROTECTION TO AVOID OVER SPREADING OF THE CONTACT ADHESIVE. MASKING TAPE MAY ALSO BE UTILIZED AS A POSITIONING GUIDE DURING INSTALLATION OF THE PLATE.
4. APPLY THE CONTACT ADHESIVE TO THE DOOR, AND PLATE, IN ACCORDANCE WITH THE ADHESIVE INSTRUCTIONS.
5. ONCE THE CONTACT ADHESIVE HAS DRIED, POSITION THE PLATE ON THE DOOR USING THE MASKING TAPE AS A GUIDE. PRESSURE ROLL THE MATERIALS TO SET THE ADHESIVE.

NOTE: GRAIN DIRECTION TO RUN VERTICALLY.

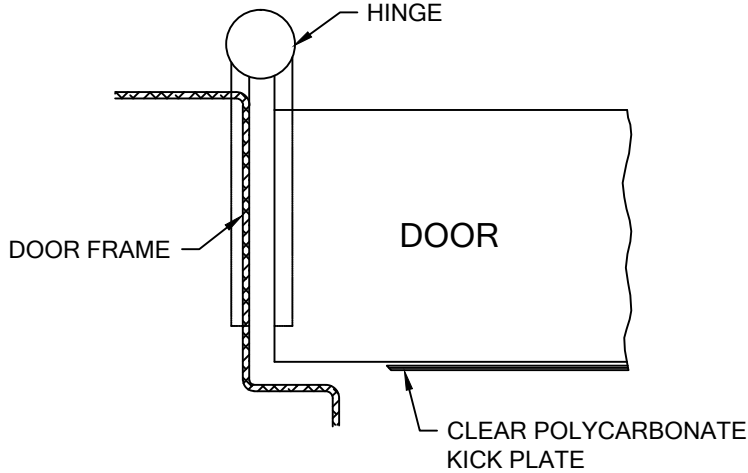
6. REMOVE MASKING TAPE, IF USED.

CAUTION: DO NOT EXPOSE DOOR PROTECTION TO ELEVATED TEMPERATURES OR DIRECT SUNLIGHT AFTER THE INSTALLATION. THIS WILL CAUSE THE SURFACE TEMPERATURE TO RISE, WHICH IN TURN WILL CAUSE BUBBLES AND DELAMINATION.

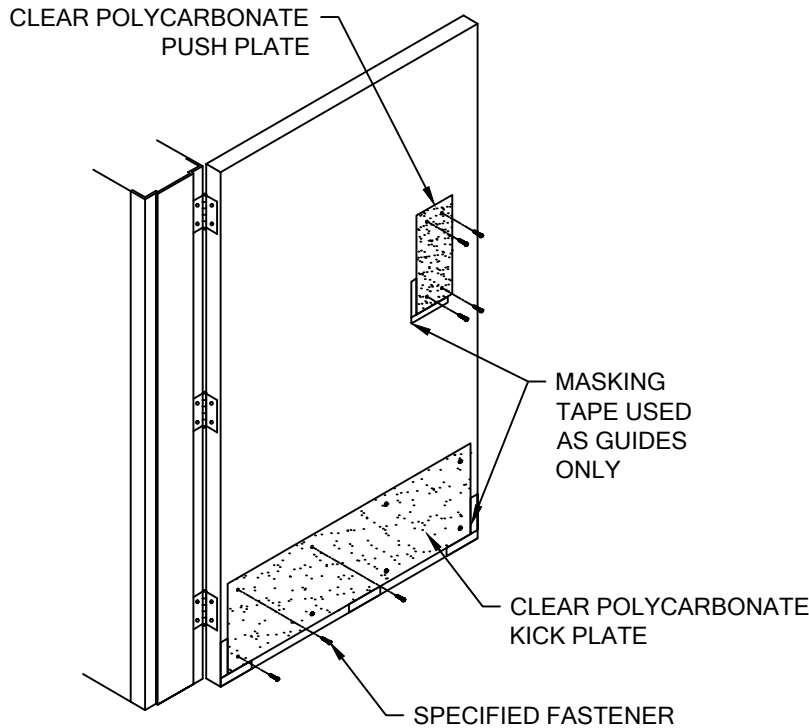
CONDITION	SPECIFIED FASTENER	QUANTITY	C/S PART NUMBER
WOOD & METAL DOORS	FASTBOND 30 ADHESIVE	5 GALLON 1 GALLON 1 QUART	90M016001 90M014001 90M015001

**KICK AND PUSH PLATE DOOR PROTECTORS**

LEXAN PLATES



1. ACCLIMATE ALL MATERIALS TO ROOM TEMPERATURE 24 HOURS PRIOR TO INSTALLATION. THE MATERIALS SHOULD NOT BE INSTALLED AT AMBIENT ROOM TEMPERATURES BELOW 65°F.
2. MASKING TAPE MAY BE UTILIZED AS A POSITIONING GUIDE DURING INSTALLATION OF PLATES.
3. THE INSTALLATION SURFACE MUST BE THOROUGHLY CLEANED; FREE OF DIRT, GREASE, WAX, AND LOOSE PAINT.
4. ONCE DOOR AND DOOR PROTECTION SURFACES ARE CLEARED AND READY FOR INSTALLATION, POSITION LEXAN KICK PLATE ON THE DOOR.
5. INSTALL PLATE BY SECURING INTO POSITION USING THE SPECIFIED FASTENERS.
6. REMOVE MASKING TAPE, IF USED.



CONDITION	SPECIFIED FASTENER	DRILL DIAMETERS	C/S PART NUMBER
		DOOR	
WOOD & METAL DOORS	#8-15 X 1" PHILLIPS OVAL HEAD SHEET METAL SCREW	N/A	90H138002