

MetalWrap™ Architectural Facade Solutions



Buildings need to allow fresh air in, keep water out and provide for occupants comfort no matter what the weather. To this end louvers as well as water, vapor and air barriers are a necessary part of a building facade. Unfortunately they often do not fit into a designer or architects' vision for a project. Wouldn't it be great if a system provided the required performance without being seen? This is the premise of CS MetalWrap Louver and Sunshade systems.

The integrated MetalWrap Louver and Sunshade Series systems are designed for use in large areas where louver performance and insulated walls are required. These systems utilize Storm Resistant Louvers in active louver areas and CENTRIA MetalWrap Series insulated back up panel system at inactive areas. Ideal for use

in occupied areas where an insulated, conditioned space is necessary. You get true, dependable, tested performance without sacrificing aesthetic considerations of the façade.

Construction Specialties' new integrated MetalWrap Sunshade system is made up of Storm Resistant RSV-5700 Louvers in the active louver areas and CENTRIA MetalWrap Series insulated back up panel system in the inactive areas. Continuous decorative CS sunshade blades run in front of the system providing interesting color, pattern, shadows or even light. They are available in demi-fin, perforated, LED airfoils and tube shaped blades. All can be finished with CS Wood Grain Powder Coat in fifteen standard wood patterns.

MetalWrap Wood Grain Powder Coat

High Performance CS Louvers, CENTRIA Wall System with decorative CS Wood Grain Powder Coat blades

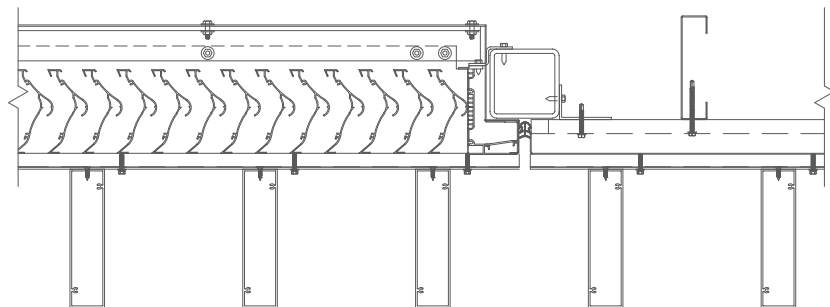
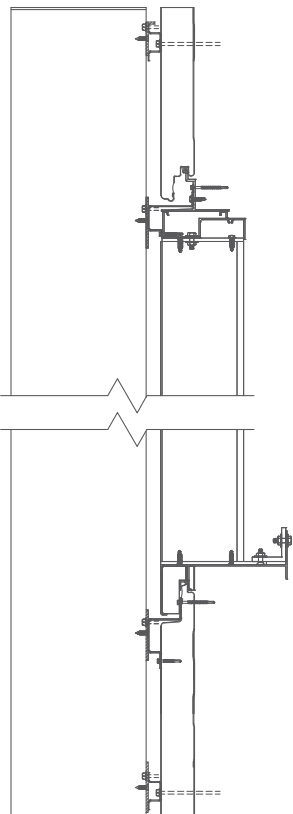
CS & CENTRIA

Integrated MetalWrap Sunshades with Wood Grain Powder Coat blades features and benefits:

- Tested wall system
- Provides water, vapor and air barrier
- High R-value - 2" and 3" thick panels
- Thermally broken
- Continuous front vertical Wood Grain Powder Coat blades
- 15 standard wood grain patterns
- Finish is durable, with superior scratch and fade resistance
- 10 year finish warranty
- Blades ship loose in up to 20' lengths
- Active and inactive areas are visually indistinguishable
- CS Storm Resistant Louvers at mechanical areas



Shown here on tube blades CS Wood Grain Powder Coat finish is available on all CS blade shapes.



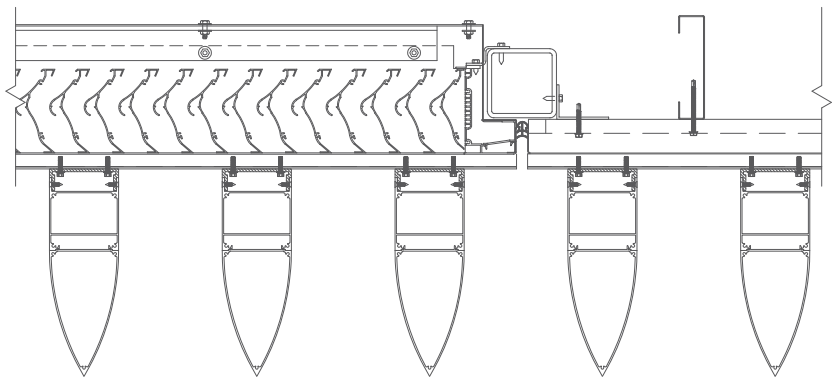
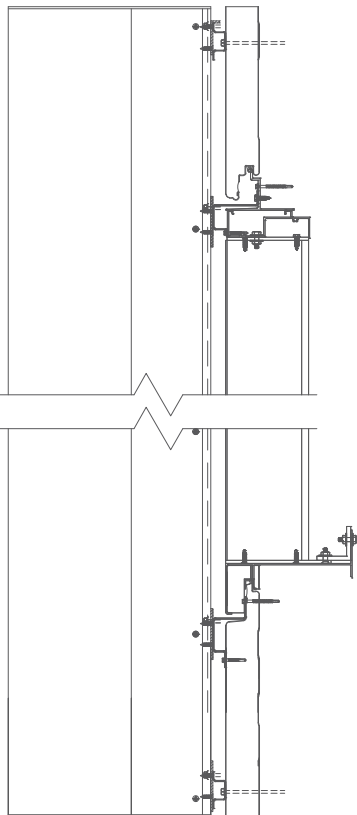
MetalWrap Demi-fin

High Performance CS Louvers, CENTRIA Wall System with decorative demi-fin blades

CS & CENTRIA

Integrated MetalWrap Sunshades with Demi-fin blades features and benefits:

- Tested wall system
- Provides water, vapor and air barrier
- High R-value: 2" and 3" thick panels
- Thermally broken
- Continuous front vertical demi-fin sunshade blades
- Blades ship loose in up to 20' lengths
- Active and inactive areas are visually indistinguishable
- CS Storm Resistant Louvers at mechanical areas



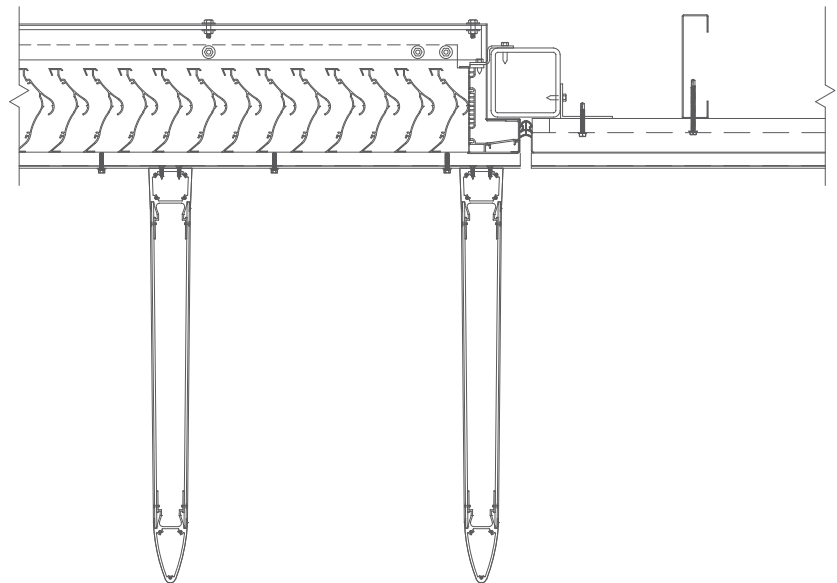
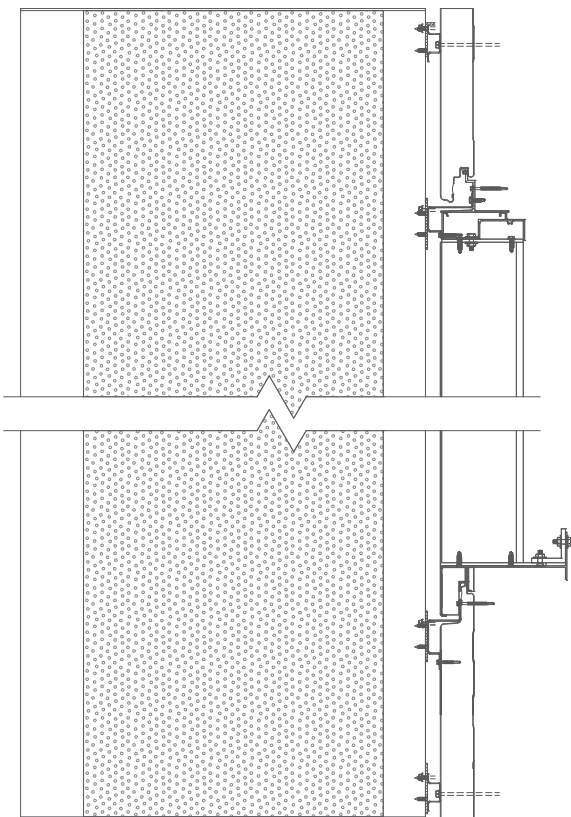
MetalWrap Perform

High Performance CS Louvers, CENTRIA Wall System with perforated decorative blades

CS & CENTRIA

Integrated MetalWrap Sunshades with Perform blades features and benefits:

- Tested wall system
- Provides water, vapor and air barrier
- High R-value: 2" and 3" thick panels
- Thermally broken
- Continuous front perforated vertical sunshade blades
- Blades ship loose in up to 20' lengths
- Active and inactive areas are visually indistinguishable
- CS Storm Resistant Louvers at mechanical areas



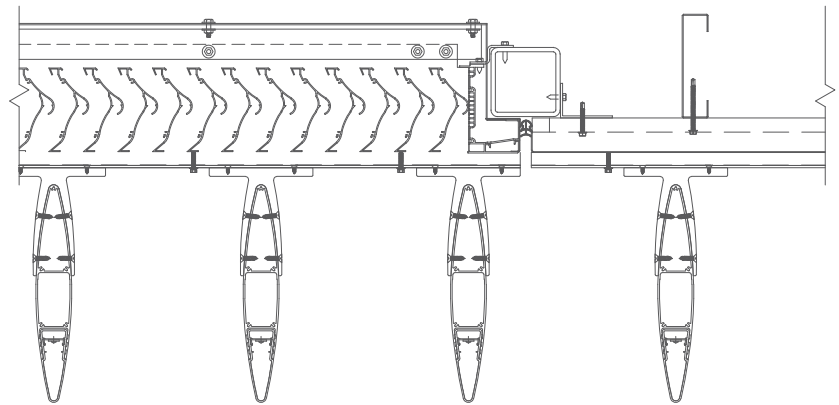
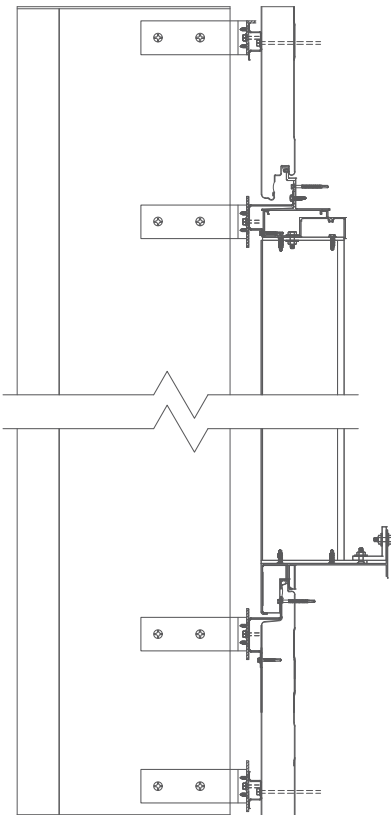
MetalWrap Airfoil Lux LED

High Performance CS Louvers, CENTRIA Wall System with decorative LED blades

CS & CENTRIA

Integrated MetalWrap Sunshades with Airfoil Lux blades features and benefits:

- Tested wall system
- Provides water, vapor and air barrier
- High R-value: 2" and 3" thick panels
- Thermally broken
- Continuous front vertical LED sunshade blades
- Blade front is LED illuminated polycarbonate nosing
- LED available in single colors of red, amber, blue, green, and white as well as RGB for millions of color combinations
- Blades ship loose in up to 20' lengths
- Active and inactive areas are visually indistinguishable
- CS Storm Resistant Louvers at mechanical areas



MetalWrap Louvers

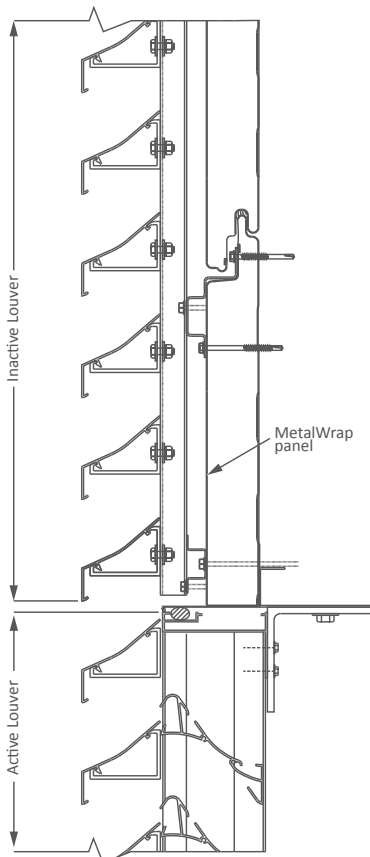
High Performance CS Louvers & CENTRIA MetalWrap for true wall performance in one system

CS & CENTRIA

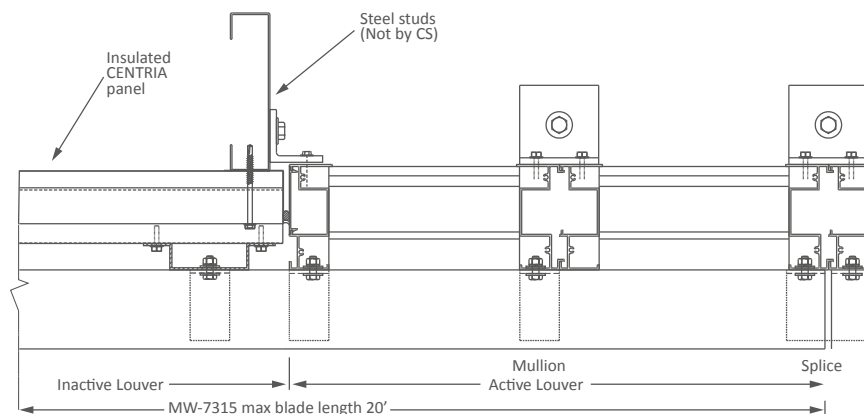
Integrated MW-7315 MetalWrap Series

Louver features and benefits:

- Tested wall system
- Provides water, vapor and air barrier
- High R-value: 2" and 3" thick panels
- Thermally broken
- Continuous front blades
- Blades ship loose in up to 20' lengths
- Active and inactive areas are visually indistinguishable
- CS Storm Resistant MW-7315 Louvers in active areas
- Superior air and water performance in active louver areas
- Enhanced protection options available



The MW-7315 Louver system uses continuous horizontal blades to disguise the vertical storm resistant louvers and insulated back up panel system working hard behind them. The front blades provide a seamless transition between active and inactive areas to maintain a uniform appearance.



Construction Specialties

49 Meeker Ave, Cranford, NJ 07016-3198

800-526-6930, www.c-sgroup.com

[Twitter](#) [LinkedIn](#) [Facebook](#) [csinonline](#)



For MetalWrap details refer to CENTRIA MetalWrap Series literature