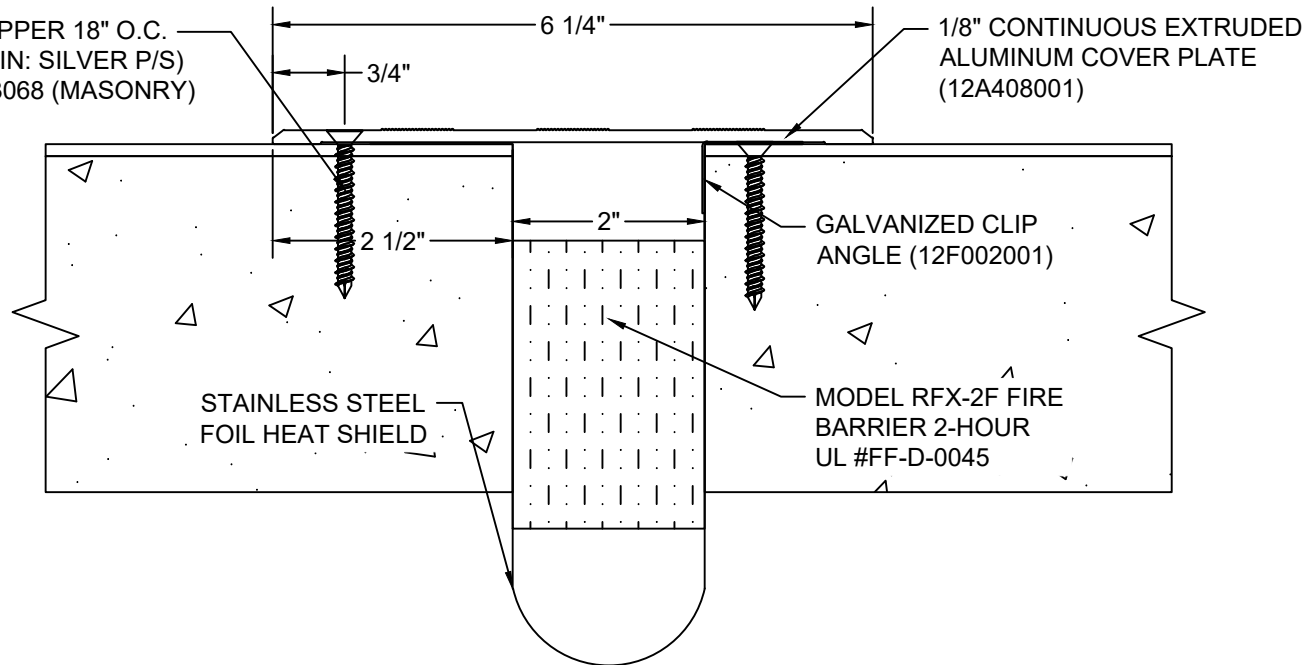


3/16"x1 3/4" TAPPER 18" O.C.  
(90H236004) (FIN: SILVER P/S)  
ICC-ES#-ESR-3068 (MASONRY)



1/8" CONTINUOUS EXTRUDED  
ALUMINUM COVER PLATE  
(12A408001)

GALVANIZED CLIP  
ANGLE (12F002001)

STAINLESS STEEL  
FOIL HEAT SHIELD

MODEL RFX-2F FIRE  
BARRIER 2-HOUR  
UL #FF-D-0045

## Model: PCS2G-200 W/ FB



**Construction Specialties**<sup>®</sup>

[www.c-sgroup.com](http://www.c-sgroup.com)

6696 Route 405 Highway, Muncy, PA 17756  
Phone: (800) 233-8493 / Fax: (570) 546-8022

895 Lakefront Promenade, Mississauga, Ontario L5E 2C2 Canada  
Phone: (888) 895-8955 / Fax: (905) 274-6241

© Copyright 2018 Construction Specialties, Inc.

PROJECT:	SCALE: NTS
CUSTOMER:	DATE:
LOCATION:	JOB NO.:
DRAWN BY:	SHEET NO.: