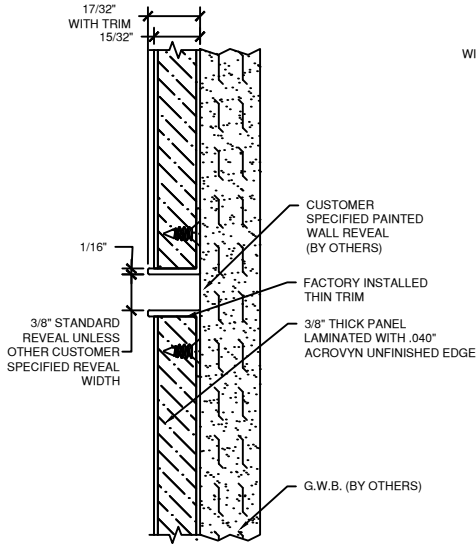


WALL PANEL FABRICATION SCHEDULE

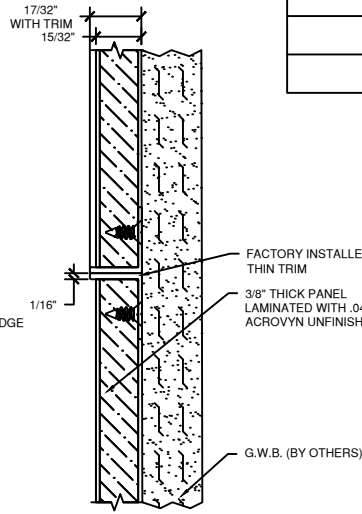
PANEL COLOR	PANEL SIZE (V X H)	REVEAL TYPE (A-C)	REVEAL WIDTH (IF APPLICABLE)	REVEAL COLOR ¹

NOTES:

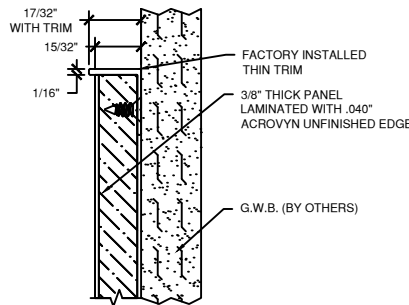
1. SHEET REVEAL COLOR IS TO BE ONE OF CS STANDARD ACROVYN COLORS. PAINTED WALL REVEALS ARE TO BE DONE BY OTHERS.
2. PANELS THAT ARE ORDERED WITH TRIMS WILL COME STANDARD WITH TRIMS INSTALLED ON ALL (4) SIDES. IF TRIMS ARE DESIRED ON LESS THAN (4) SIDES, THE PANELS WILL REQUIRE CUSTOM PRICING.



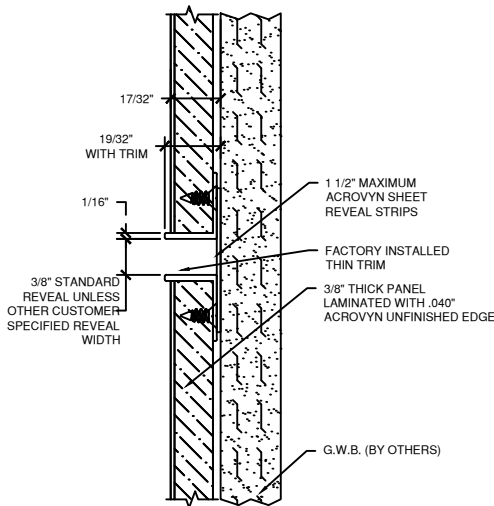
(A) PAINTED WALL REVEAL CONDITION



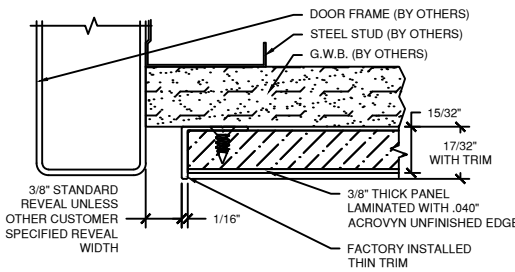
(B) BUTTED PANEL CONDITION



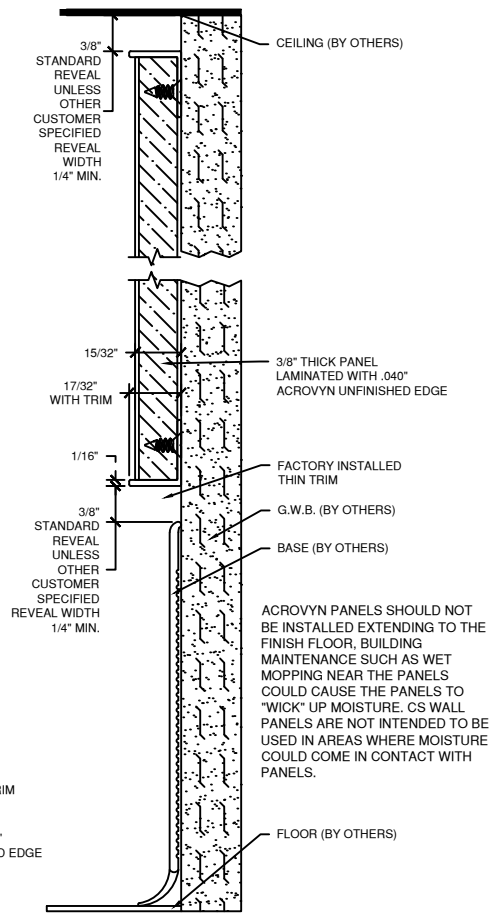
WAINSCOT CONDITION



(C) ACROVYN SHEET REVEAL STRIP CONDITION



END WALL CONDITION



BASE AND CEILING CONDITION

CS ACROVYN® WALL PANEL

PERMANENT ADHESIVE WITH THIN TRIM FINISH DETAILS



Hughesville, PA | 800.233.8493 | 570.546.5941
 Mississauga, ON | 888.895.8955 | 905.274.3611
www.c-sgroup.com

© Copyright 2017 Construction Specialties, Inc.

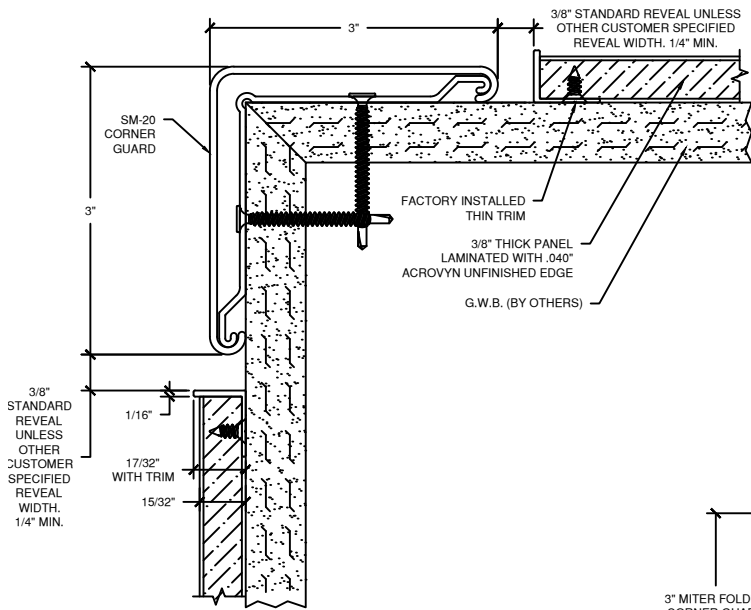
PROJECT:	REVISION:
JOB NO.:	F&F:
CUSTOMER:	DATE:
REP:	SHEET NO:
DRAWN BY:	

WALL PANEL FABRICATION SCHEDULE CORNER OPTIONS

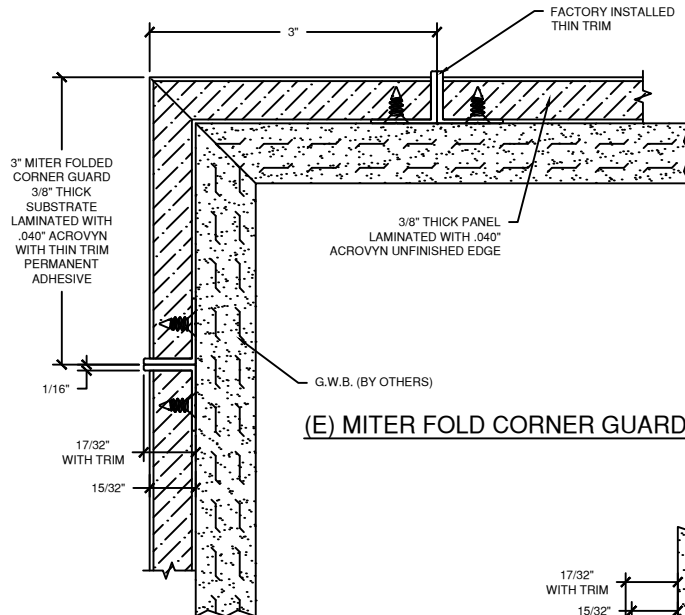
QTY	OUTSIDE CORNER OPTION (D/E)	MITER FOLD OUTSIDE CORNER SIZE ²	INSIDE CORNER OPTION (F/G)	REVEAL WIDTH (IF APPLICABLE)

NOTES:

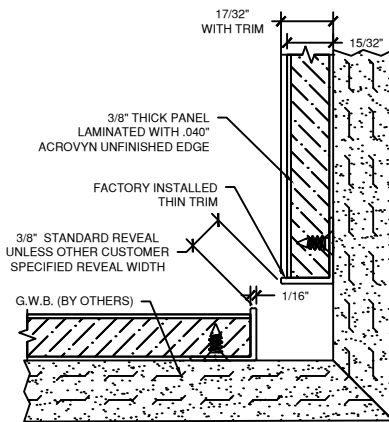
- PLEASE SELECT WHICH INSIDE AND/OR OUTSIDE CORNER CONDITION IS WANTED.
- MITER FOLD OUTSIDE CORNER SIZE IS TO INCLUDE LEG WIDTHS AND OVERALL HEIGHT.
- MITER FOLD CORNER GUARDS HAVE A MAXIMUM HEIGHT OF 118".



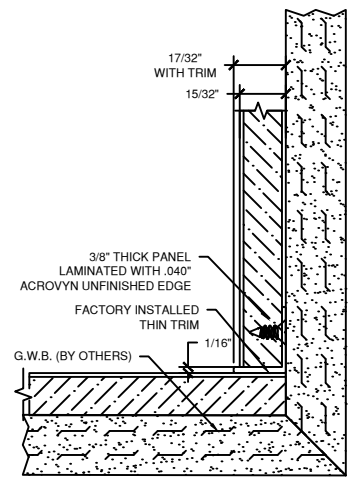
(D) SM-20 OUTSIDE CORNER OPTION



(E) MITER FOLD CORNER GUARD OPTION



(F) INSIDE CORNER WITH REVEAL OPTION



(G) BUTTED INSIDE CORNER OPTION

CS ACROVYN® WALL PANEL
PERMANENT ADHESIVE WITH THIN TRIM FINISH DETAILS



Hughesville, PA | 800.233.8493 | 570.546.5941
Mississauga, ON | 888.895.8955 | 905.274.3611
www.c-sgroup.com

© Copyright 2017 Construction Specialties, Inc.

PROJECT:	REVISION:
JOB NO.:	F&F:
CUSTOMER:	
REP:	DATE:
DRAWN BY:	SHEET NO: