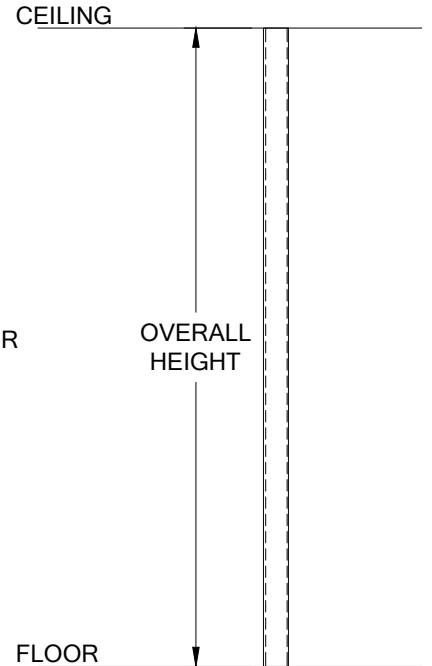
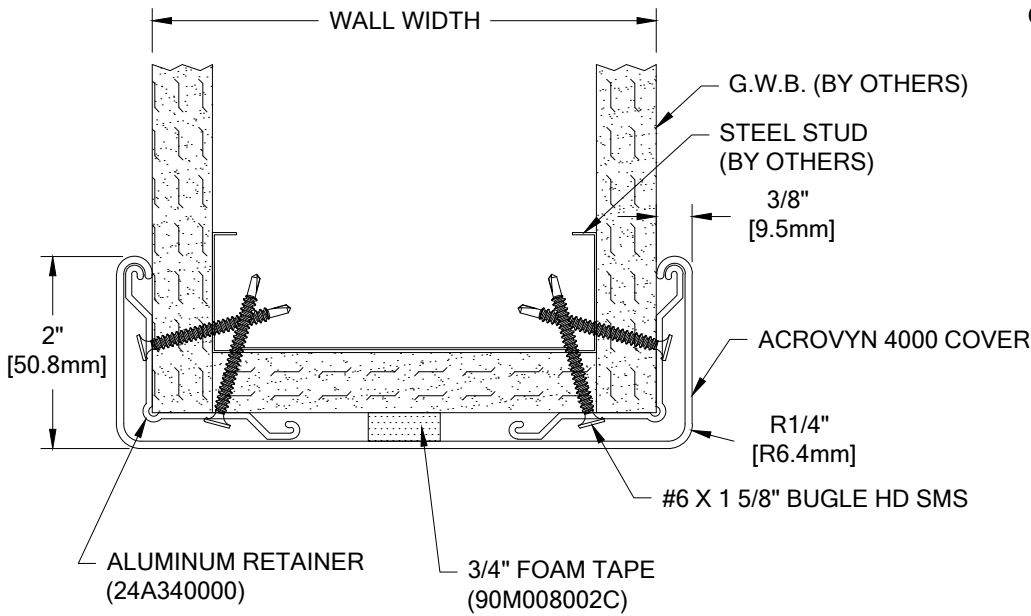
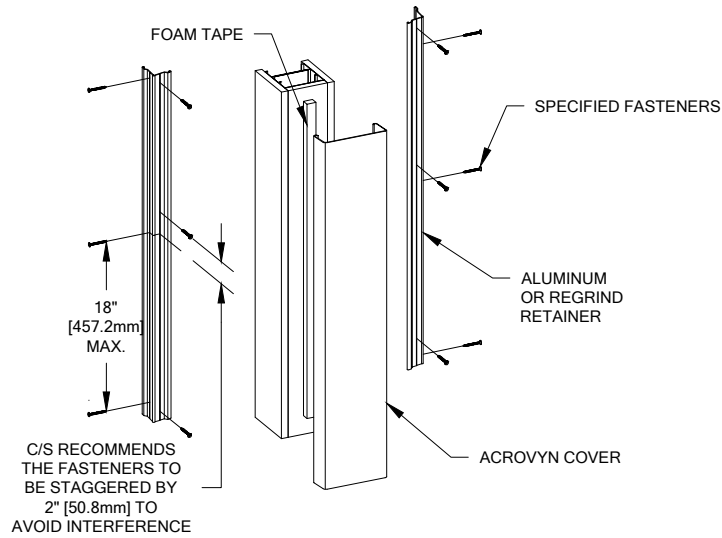


COLOR: \_\_\_\_\_  
 CHANNEL GUARD: \_\_\_\_\_  
 COLOR TO BE SELECTED FROM ONE OF C/S STANDARD COLORS.

QTY. REQ'D	UNIT HEIGHT	WALL WIDTH	COLOR


NOTE: TOP AND BOTTOM CAPS NOT AVAILABLE FOR THIS MODEL. CHANNEL GUARD MUST RUN FROM FINISHED FLOOR TO CEILING.



# SSM-25MAN ACROVYN 4000

SURFACE MOUNTED GUARD  
AT FULL HEIGHT ELEVATION

WALL CONDITION	SPECIFIED FASTENER	DRILL DIAMETERS		C/S PART NUMBER
		WALL	RETAINER	
STEEL STUD/GYPUSM WALL	#6 X 1 5/8" BUGLE HEAD SMS	N/A	1/8"	90H079002
CONCRETE/CONC. BLOCK	AF-6 PLASTIC ANCHOR #10 X 1 1/2" PHILLIPS PAN HEAD SMS	1/4"	9/32"	90H039004 90H189002

 <p><b>Construction Specialties™</b>          6696 Route 405 Highway, Muncy PA 17756          (800) 233-8493 • Fax (570) 546-4692 • www.c-sgroup.com</p>	<b>PROJECT:</b>	<b>REVISION:</b>
	<b>JOB NO.:</b>	<b>F&amp;F:</b>
	<b>CUSTOMER:</b>	
	<b>REP:</b>	<b>DATE:</b>
	<b>DRAWN BY:</b>	<b>SHEET NO:</b>