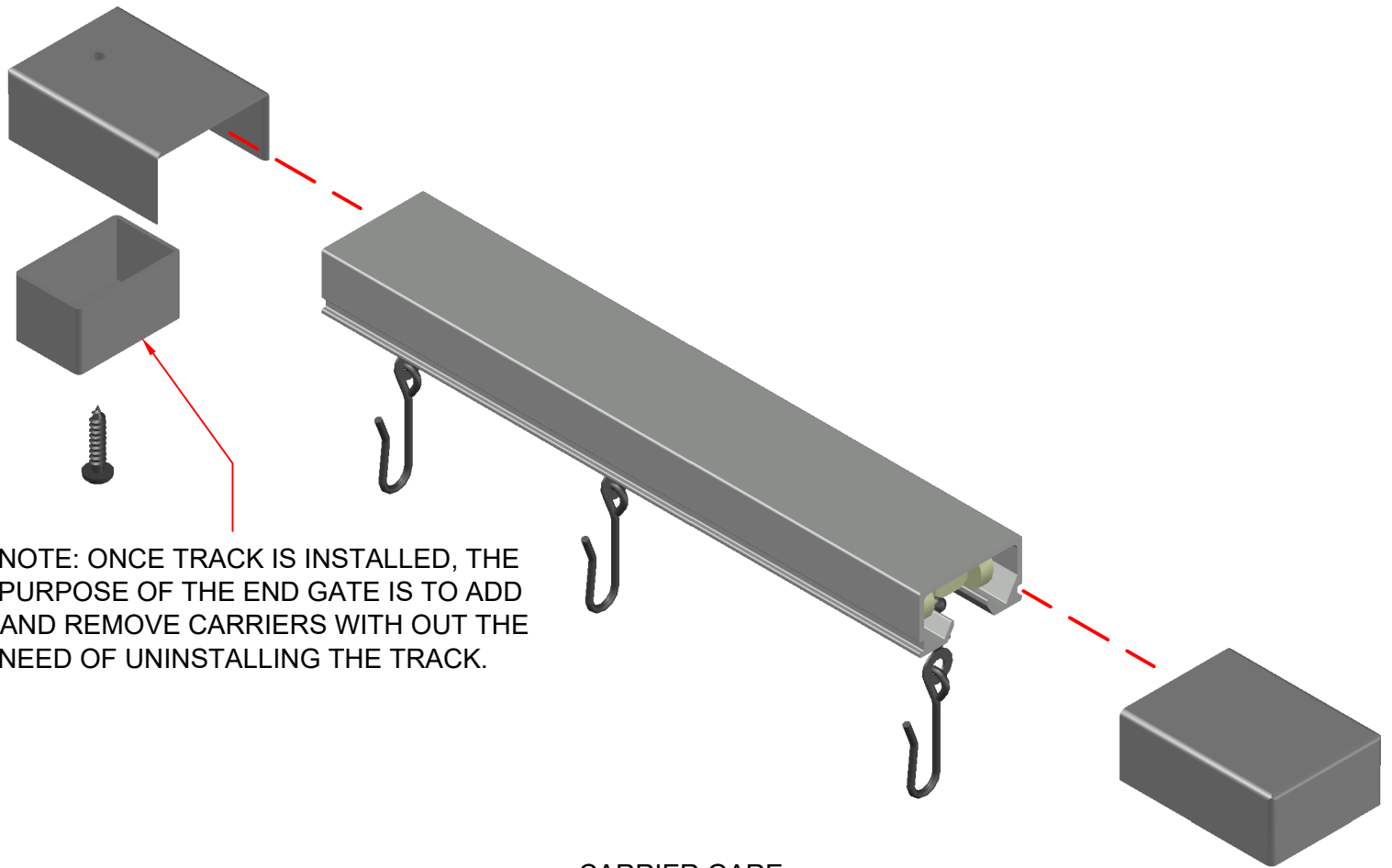
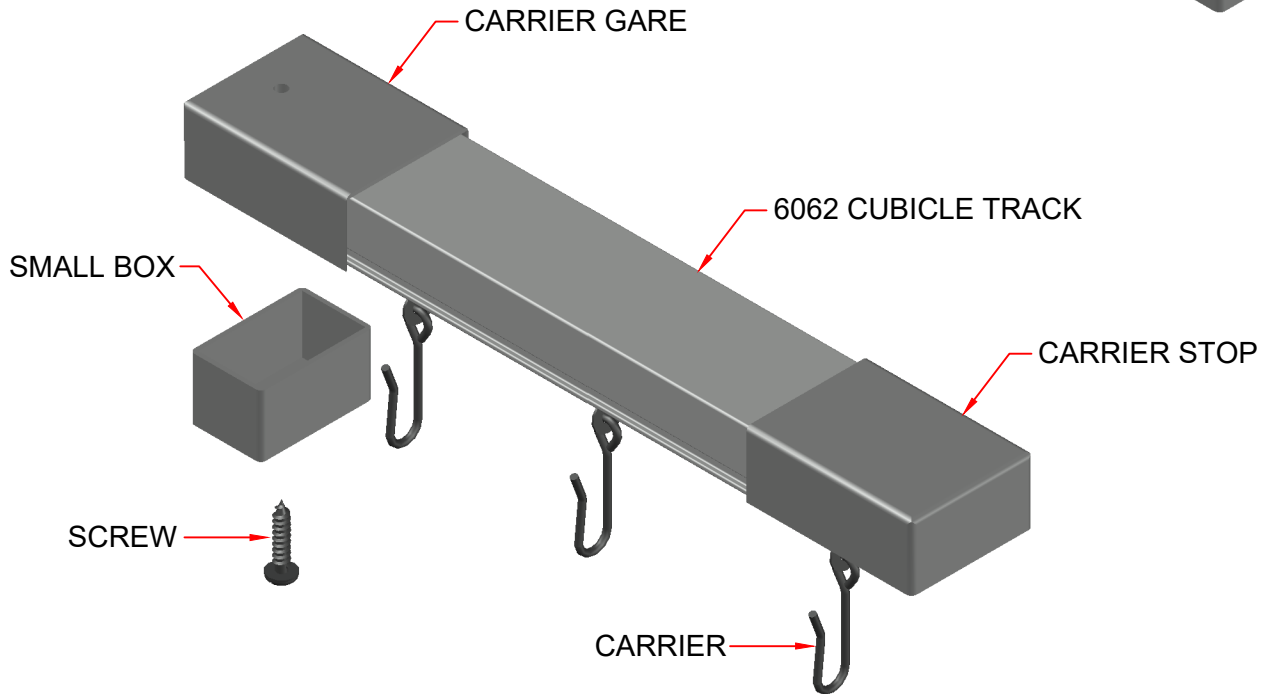


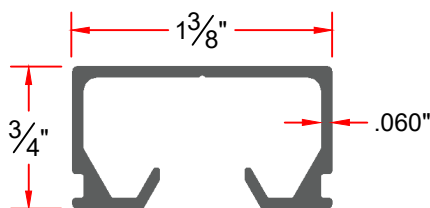
ASSEMBLY DETAIL FOR 6062 SURFACE MOUNT CUBICLE TRACK



NOTE: ONCE TRACK IS INSTALLED, THE PURPOSE OF THE END GATE IS TO ADD AND REMOVE CARRIERS WITH OUT THE NEED OF UNINSTALLING THE TRACK.



6062
CUBICLE TRACK



DRAWING BY: CDL

DATE: 5/5/23



Construction Specialties®