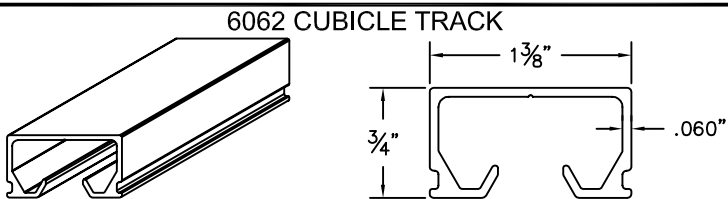
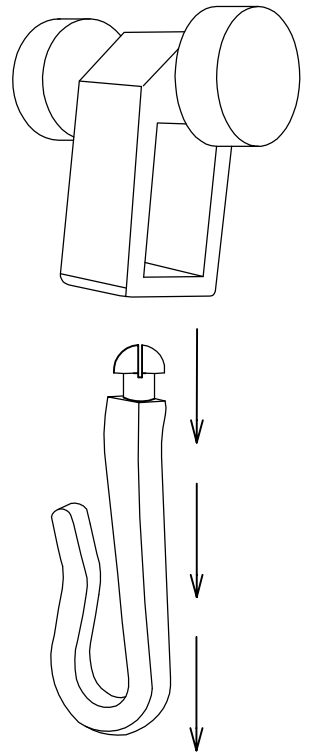
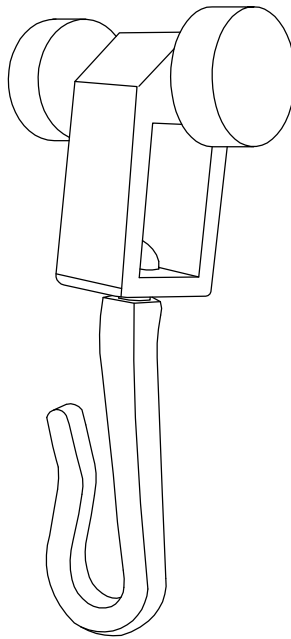
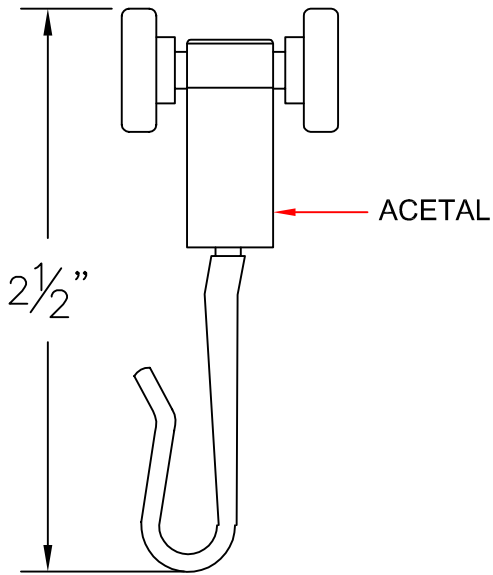


1075P BREAK-A-WAY CARRIER



DRAWING BY: CDL

DATE: 10/5/2016

CS™ Cubicle Curtains