

FLOORMATIONS ODYSSEY 1/2" DEPTH SURFACE MOUNT

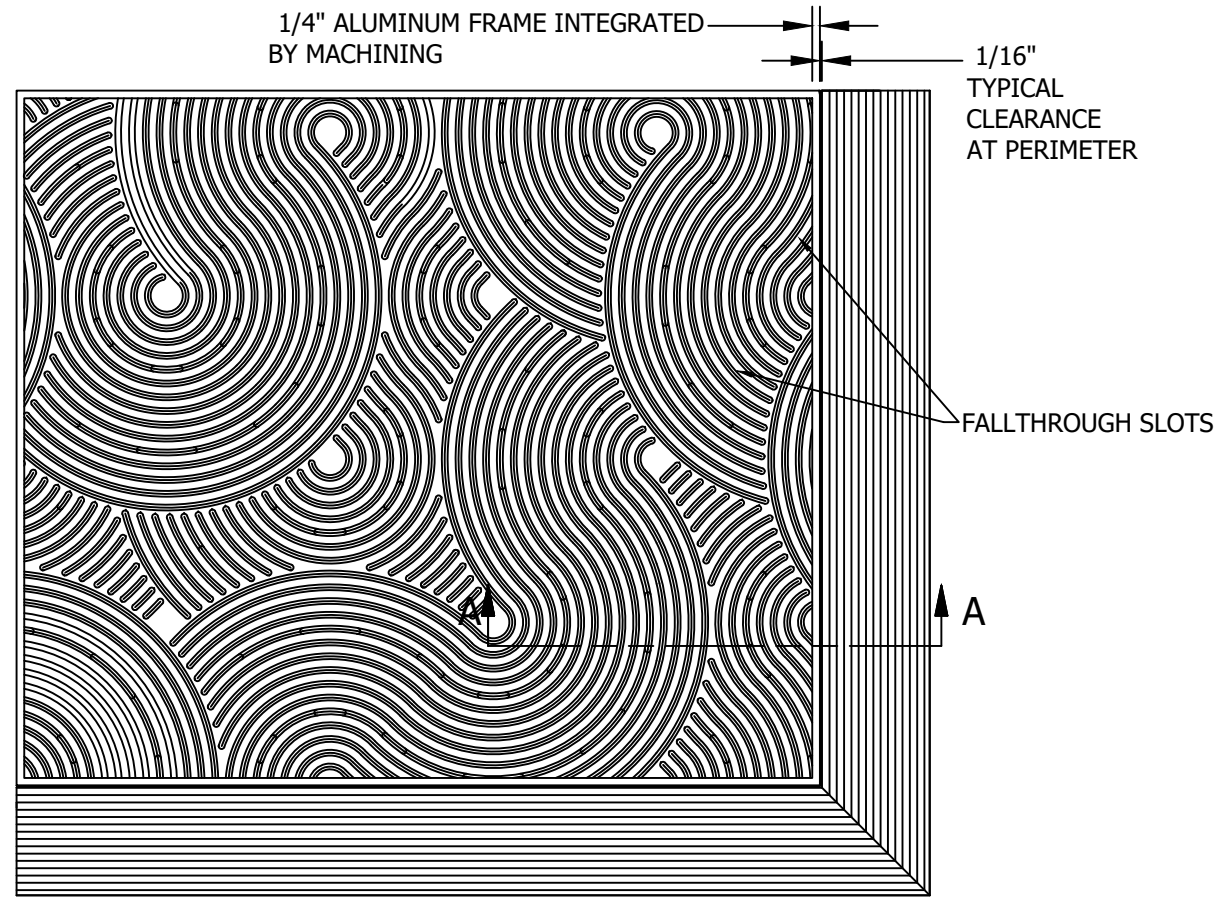
PATTERN: ODYSSEY

INSERT COLOR: N/A

CATALOG NUMBER:

PART NUMBER:

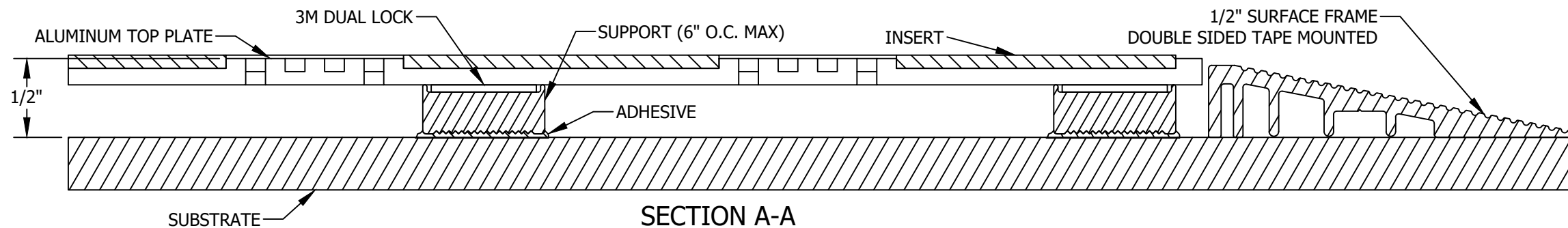
NO.	REVISION	DATE	BY
1	REVISION # 1	08/13/2015	JDM
NO.	F&F RELEASE	DATE	BY



PLAN VIEW
SCALE 1:5

NOTES:

- 5052 Aluminum plate with clear anodized finish attached to 6105 Aluminum supports with 3M Dual Lock.
- Max module size 34" x 119"
- Splice sections will be butt joints to minimize pattern disruption.
- Drafting to determine best layout/sections required.
- Static Coefficient of Friction .5 per ASTM D-2047
- 300 lb. per wheel rolling load
- Max deflection of .022" under 300 PSI load.



SECTION A-A
SCALE 1:1



PLEASE VERIFY ALL	QTY	MARK #	LOCATION	MODEL	DIM 'A' WIDTH	DIM 'B' LENGTH	FINISH	REMARKS

PROJECT:		
LOCATION:		
CONTRACTOR:		
DRG. BY:		SHT:
DATE:	JOB NO.:	