

## Storm Resistant Louvers – Horizontal, Vertical, & Combination

When a wind-driven rain defense is required, our Storm Resistant Louvers are resistant to wind-driven rain and winds as high as 50 mph that drive 8" of water per hour.

### Advantages

- Certified to be up to 99% effective under AMCA's wind driven rain test (model specific)
- Manages water penetration, even in intake applications
- Chevron style blades allow for long spanning and larger sections with mullions
- System is sightproof
- Hidden mullion options available for continuous line appearance without compromising water performance
- Modular capabilities (model specific) for inactive areas using blank-off

### Applications

- Customizable for curtain wall applications
- Integration with CENTRIA Insulated metal panels



Model RS-4700



[View 3D Model](#) →

# Storm Resistant Louvers – Horizontal, Vertical, & Combination

## Finish Options

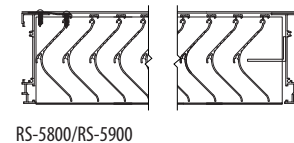
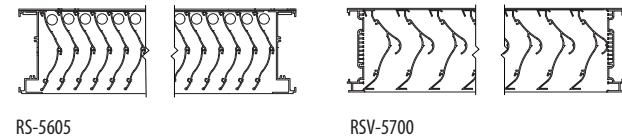
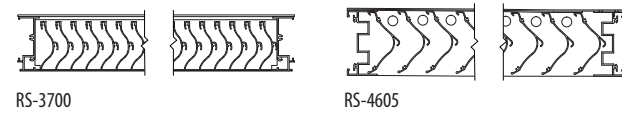
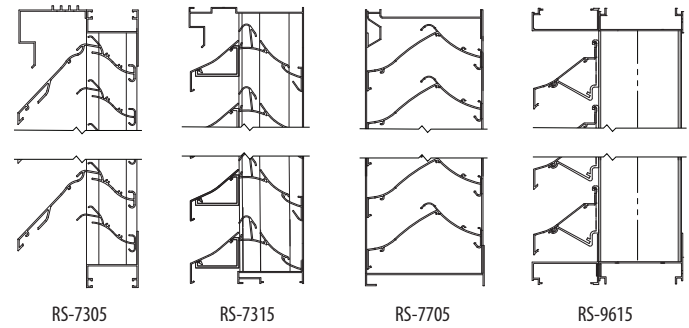
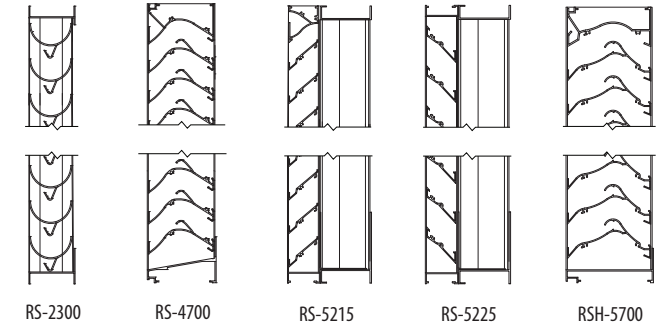


See all finish options online at [c-sgroup.com](http://c-sgroup.com).

## Product Details

MODEL	LOUVER DEPTH	BLADE SPACING	BLADE ORIENTATION
RS-2300	2" (50.8mm)	1½" (38.0mm)	Horizontal
RS-4700	4" (101.6mm)	1¾" (44.5mm)	
RS-5215	5" (127.0mm)	2⅞" (53.9mm)	
RS-5225	5" (127.0mm)	2½" (38.1mm)	
RSH-5700	5" (127.0mm)	2" (50.8mm)	
RS-7305	7" (177.8mm)	5¼" (133.4mm)	
RS-7315	7" (177.8mm)	3⅞" (98.4mm)	
RS-7705	7" (177.8mm)	3⅞" (80.7mm)	
RS-9615	9" (228.6mm)	4" (101.6mm)	
RS-3700	3" (76.2mm)	⅞" (22.2mm)	
RS-4605	4" (101.6mm)	2" (50.8mm)	
RS-5605	5" (127.0mm)	1" (25.4mm)	
RSV-5700	5" (127.0mm)	2" (50.8mm)	
RS-5800	5" (127.0mm)	1½" (38.1mm)	
RS-5900	5" (127.0mm)	1½" (38.1mm)	

## Models



## Certifications/Testing\*

- AMCA Certified
- AMCA Listed

\*For model specific certifications, listing and testing - refer to the Performance Chart on our *Architectural Louvers Product Guide*.

## Warranty

- 1-year Material Warranty
- 20-year Finish Warranty (excludes anodized)
- 10-year Finish Warranty Wood Grain



Learn More →