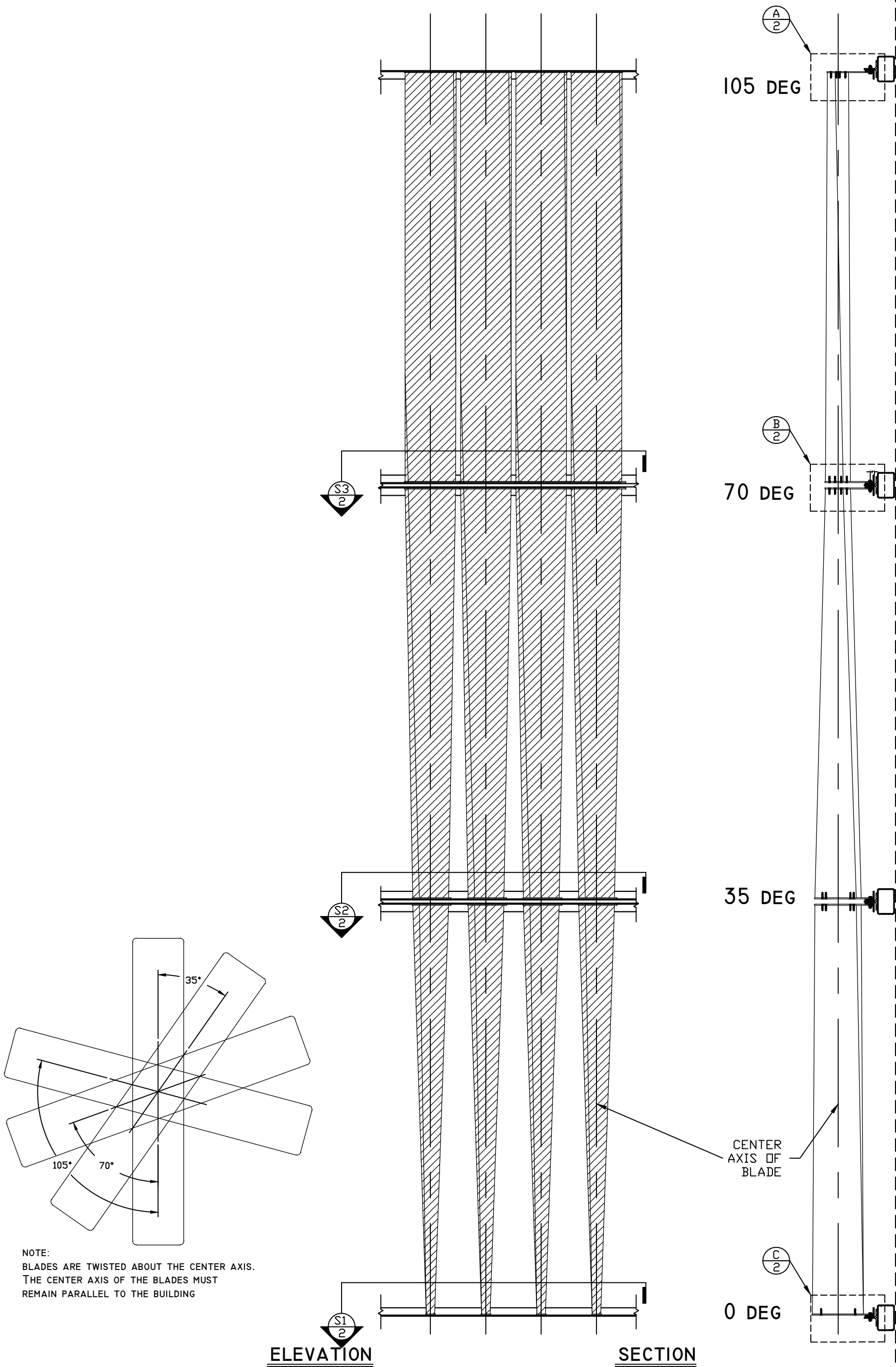


RECT. TUBE SYSTEM

LIMITS:

12" X 2" REC TUBE - 4.375 DEG PER FOOT MAX TWIST



NOTE:
BLADES ARE TWISTED ABOUT THE CENTER AXIS.
THE CENTER AXIS OF THE BLADES MUST
REMAIN PARALLEL TO THE BUILDING

ELEVATION

SECTION



Construction Specialties™

49 MEEKER AVENUE, CRANFORD, NEW JERSEY
PHONE: 1-800-631-7379 / FAX: 908-272-5844

PROJECT: TWISTED SUNSHADE

TITLE: TUBE ELEVATION & SECTION

SCALE: 1/2" = 1'

DRW BY: J BLAKE

REVISION: 02-13-19

DATE: 2-14-18

SHEET: 1 OF 3

DRW NO : RD-