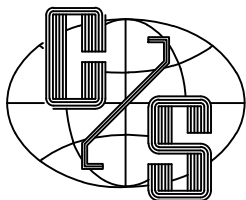


INSTALLATION INSTRUCTIONS  
FOR  
METALWRAP SYSTEM  
WITH ACTIVE & INACTIVE SECTIONS

MODEL - MW-7315

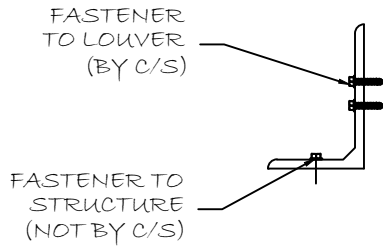
- READ THESE INSTRUCTIONS COMPLETELY BEFORE STARTING INSTALLATION.
- USE THESE INSTRUCTIONS IN CONJUNCTION WITH C/S SHOP DRAWINGS



CONSTRUCTION SPECIALTIES, INC.  
49 MEEKER AVENUE, CRANFORD, NEW JERSEY

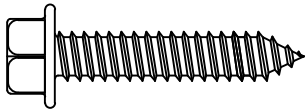
# FASTENERS & CLIP ANGLES USED IN INSTALLATION

## ALUMINUM CLIP ANGLE USED AT JAMBS:



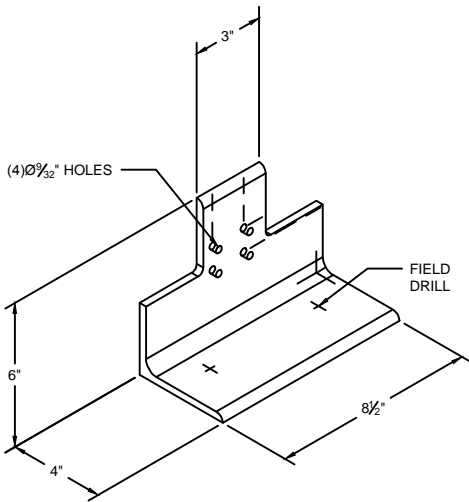
2" X 2" X 1/4" X 2" LG  
ALLOY: 6063-T5

FASTENER: 1/4" DIA. X 1" LG. S/S H/H SMS

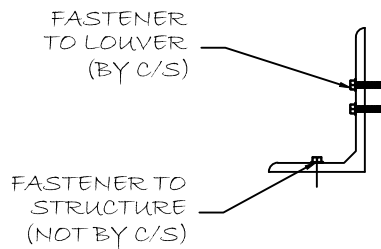


FASTENER IS TO BE MINIMUM  
300 SERIES STAINLESS STEEL

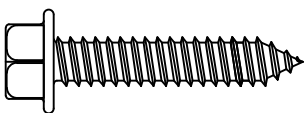
## ALUMINUM CLIP ANGLE USED AT MULLION



6" X 4" X 3/8" X 8-1/2" LG  
ALLOY: 6063-T5



FASTENER: 1/4" DIA. X 1-1/4" LG.  
S/S H/H SMS.



FASTENER IS TO BE MINIMUM  
300 SERIES STAINLESS STEEL

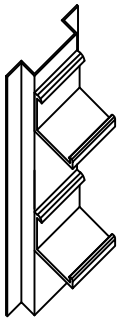
## STEP-1

### PREPARATION

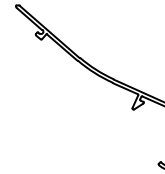
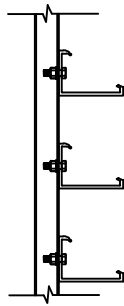
1. TO BEGIN INSTALLATION OF A KNOCKED DOWN MW-7315 KNOCKED DOWN METALWRAP SYSTEM YOU MUST FIRST BE IN RECEIPT OF THE SHIPMENT PACKING LIST, AND SHOP DRAWINGS
2. LOCATE ALL CRATES, BOXES, CARTONS, ETC...
3. KNOCKED DOWN METALWRAP SYSTEMS ARE SHOWN ON PACKING LISTS BROKEN INTO INDIVIDUAL PARTS, BY NAME AND SIZE SEE SAMPLE BELOW:

LV-1.1 MW-7315 REAR LOUVER 24" X 24"	CRATE 2
6 PCS. 4" BLADE 120"	CRATE 2
10 PCS. 4" BLADE 24"	CRATE 3
10 PCS. 5" X 1" ALUMINUM HAT CHANNEL WITH BLADE BRACES	CRATE 1
30 PCS. 4" X 2" X 1/4" X 2" LONG CLIP ANGLES	CRATE 4

4. INDIVIDUAL PARTS LISTED ARE MARKED AT FAR RIGHT OF PACKING LIST. AS TO THEIR CRATE, CARTON, BOX, ETC....
5. START WITH FIRST SIDE, REMOVE AND IDENTIFY THE PARTS FROM APPROPRIATE PACKAGES FOR THAT SIDE. CHECK FOR CORRECT QUANTITIES OF EACH ACCORDING TO PACKING LIST. (SEE DIAGRAM BELOW)
6. AFTER ALL PARTS ARE SEPARATED AND IDENTIFIED AND IT IS DETERMINED THAT NO PARTS ARE MISSING PROCEED TO MOVE THESE GROUPS TO THEIR DESIGNATED SIDES.



BLADE BRACE  
SUPPORT ASSEMBLY



BLADE

## STEP-2

(IF SYSTEM DOES NOT HAVE ANY ACTIVE REAR LOUVER SECTIONS SKIP TO STEP 8)

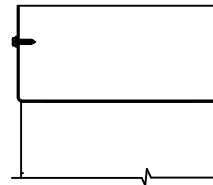
### PREPARATION

1. INSPECT EXISTING STRUCTURAL SUPPORTS FOR DAMAGE THAT MAY PREVENT INSTALLATION OF EQUIPMENT SCREEN, REPAIR AS REQUIRED.
2. BE SURE OPENING IS SQUARE AND PLUMB AS WELL AS MATCHING OPENING SIZES SHOWN ON THE SHOP DRAWINGS.
3. BE SURE EXISTING STRUCTURAL SUPPORTS ARE LEVEL AND SPACED NO MORE THEN 3 FEET ON CENTER VERTICALLY.

## STEP-3

### INSTALLING SILL PAN

1. LOCATE SILL PAN.
2. APPLY MASTIC (NOT BY C/S) TO SILL OF OPENING AND SET SILL PAN IN MASTIC.

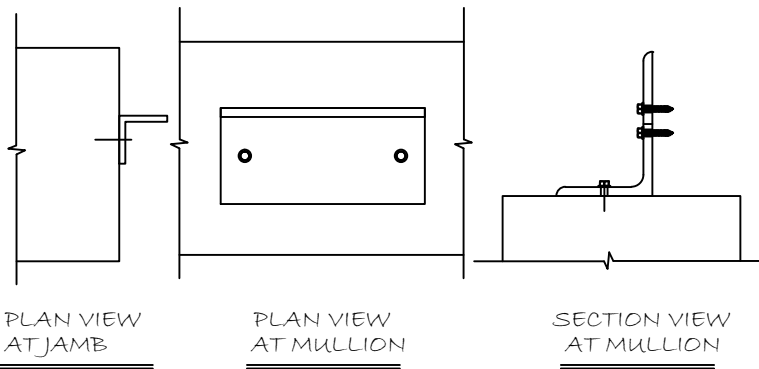


VERTICAL SECTION OF SILL PAN

## STEP-4

### ATTACHING CLIP ANGLES TO WALL

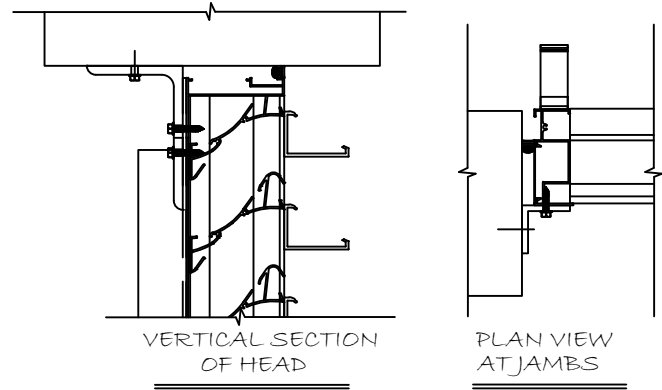
1. DRILL ALL HOLES IN CLIP ANGLE FOR ANCHORS TO WALL. (ANCHORS NOT BY C/S)
2. REFER TO SHOP DRAWINGS TO DETERMINE SET BACK OF CLIP ANGLES ON JAMB IN RELATION TO WALL.
3. MEASURE SET BACK DISTANCE OF CLIP ANGLES FROM WALL, AND DRILL HOLES INTO WALL.
4. ATTACH CLIP ANGLES TO WALL WITH ANCHORS. (NOT SUPPLIED BY C/S) (SEE DIAGRAM BELOW)



## STEP-5

### INSTALLING A SINGLE SECTION LOUVER

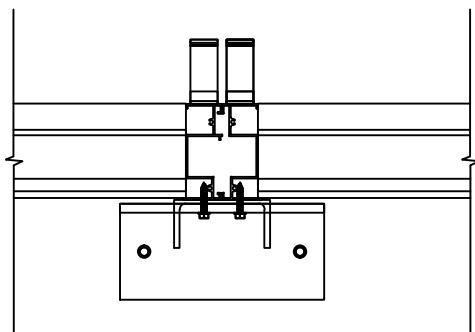
1. PLACE LOUVER SECTION INTO OPENING.
2. SHIM AROUND PERIMETER OF LOUVER TO PROVIDE FOR PROPER CLEARANCES AS SHOWN IN SHOP DRAWINGS.
3. ONCE PROPER CLEARANCE SPECIFICATIONS ARE MET USE HOLES PROVIDED IN CLIP ANGLE TO DRILL PILOT HOLES IN JAMB. FASTEN JAMB TO CLIP ANGLES WITH FASTENERS AS PROVIDED BY C/S.



## STEP-6

### INSTALLING MULTI-SECTION LOUVERS

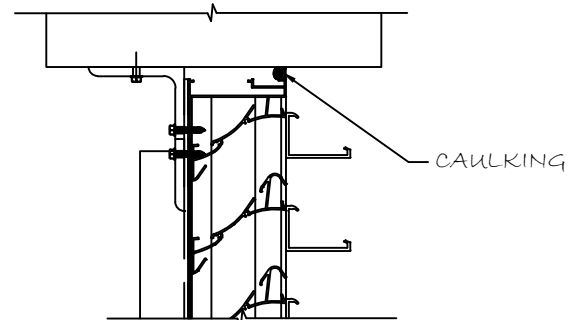
1. IF LOUVER IS A MULTI-SECTION LOUVER INSTALL SECTION #1 (FAR LEFT HAND SECTION AS VIEWED FROM EXTERIOR) AS NOTED IN STEP 5 ABOVE. LOCATE THE NEXT LOUVER SECTION. MEASURE, SET BACK OF CLIP ANGLE AT TOP AND BOTTOM OF MULLION, DRILL HOLES AND ATTACH WITH ANCHORS. (NOT BY C/S)
2. PUT SECTION IN OPENING AND INTERLOCK MULLION JOINT. INSERT SHIMS UNDER LOUVER SECTION TO PROVIDE FOR CLEARANCE AS SHOWN IN SHOP DRAWINGS. MAKE SURE SECOND SECTION ALIGNS WITH FIRST SECTION.
3. USE HOLES PROVIDED IN CLIP ANGLE TO DRILL PILOT HOLES IN MULLION. ATTACH CLIP ANGLE TO MULLION USING SHEET METAL SCREW. (PROVIDED BY C/S). REFER TO C/S SHOP DRAWINGS FOR DETAILS.
4. CONTINUE PROCESS UNTIL ALL SECTIONS ARE INSTALLED.



## STEP-7

### CAULKING

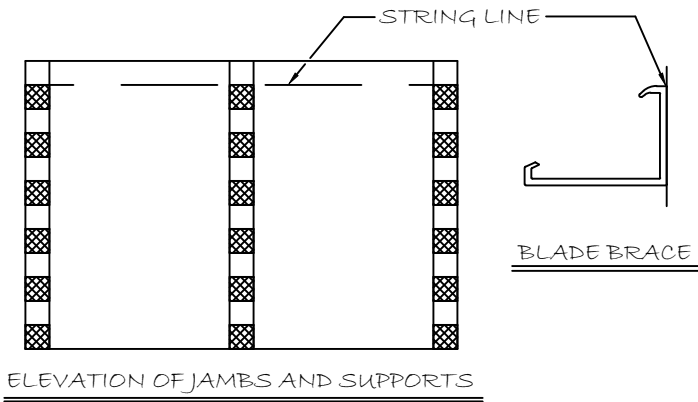
1. CAULK AROUND ENTIRE PERIMETER OF LOUVER (SEE DIAGRAM BELOW) (CAULKING NOT SUPPLIED BY C/S).



## STEP-8

### ALIGNING OF VERTICAL SUPPORTS

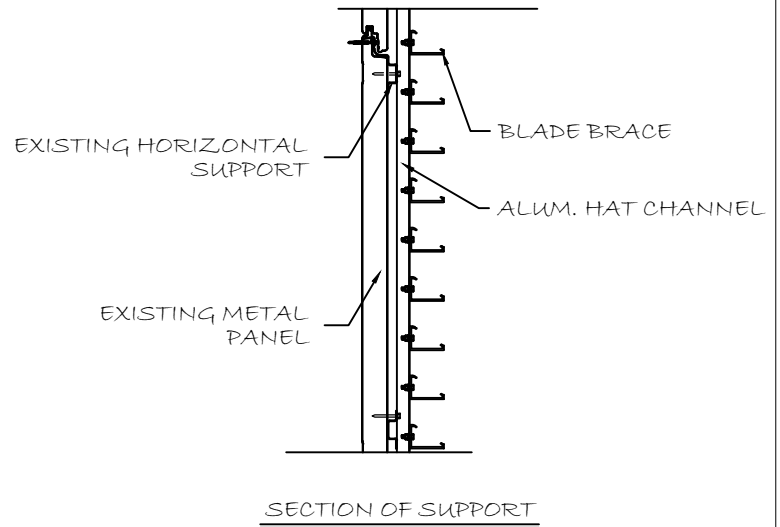
1. VERTICAL ALIGNMENT OF INTERMEDIATE BLADE BRACE SUPPORTS IS CRITICAL FOR PROPER INSTALLATION OF BLADES. RUN A STRING LINE FROM TOP OF BLADE BRACE ON EACH VERTICAL SUPPORT ALIGN AND SET INTERMEDIATE MEMBERS USING THE STRING LINE AS SHOWN BELOW.



## STEP-9

### SUPPORT INSTALLATION

1. INSTALL ALUMINUM HAT CHANNELS WITH BLADE WITH WITH BLADE BRACES TO CLIP ANGLES. FASTENERS TO HORIZONTAL SUPPORT NOT BY C/S.
2. HAT CHANNEL WITH 2" WIDE BLADE BRACES TO SUPPORT CONTINUOUS RUNS, SUPPORTS WITH 4" BLADE BRACES TO SUPPORT JOINTS IN BLADE

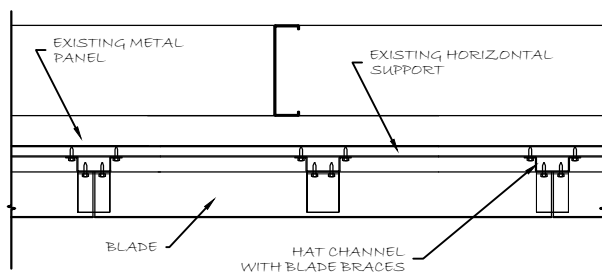
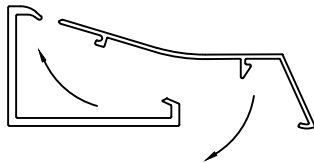


## STEP-10

### INSTALLING BLADES

1. SNAP BLADES AS SHOWN (SEE DIAGRAM BELOW) INSERT LOWER END OF BLADE INTO SLOT IN BOTTOM OF BLADE BRACE. ROTATE BLADE UP UNTIL BLADE BRACE SNAPS INTO SCREW BOSS ON BLADE.

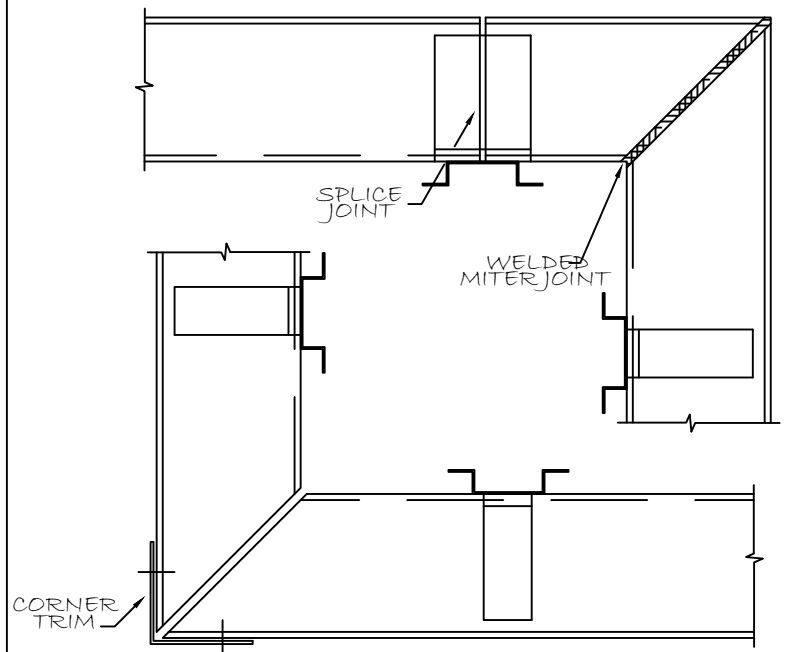
### BLADE SNAPPING INTO BLADE BRACE



## STEP-11

### CORNER CONDITIONS

1. CHECK SHOP DRAWINGS FOR CORNER CONDITIONS. SOME CORNER CONDITIONS MAY BE FACTORY MITERED AND WELDED.
2. IF CORNERS ARE NOT WELDED AND CORNER TRIM IS SPECIFIED ATTACH WITH FASTENERS PROVIDED.



FOR PROBLEMS WITH MATERIAL SIZES, QUANTITIES, OR ERECTION,  
NOTIFY: CONSTRUCTION SPECIALTIES, INC.,  
CRANFORD, NJ PRODUCTION DEPARTMENT, IMMEDIATELY.  
CRANFORD, NEW JERSEY 07016 / 49 MEEKER AVENUE  
TELEPHONE: (908) 272-5200 / FAX: (908) 272-6038