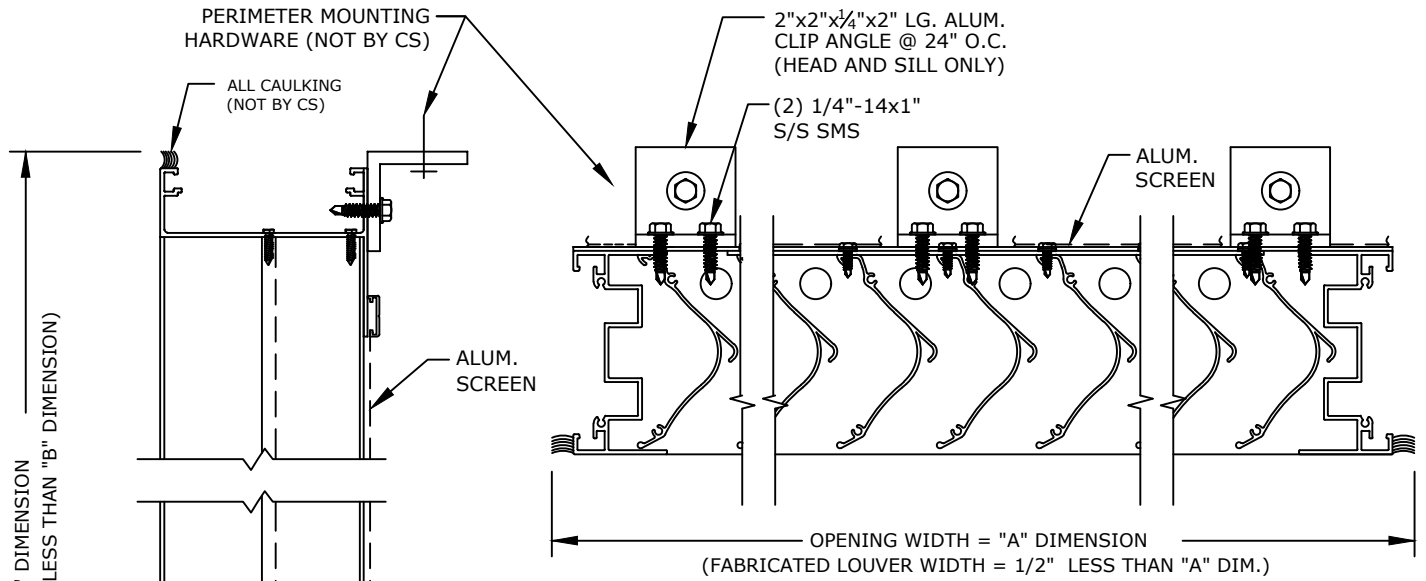
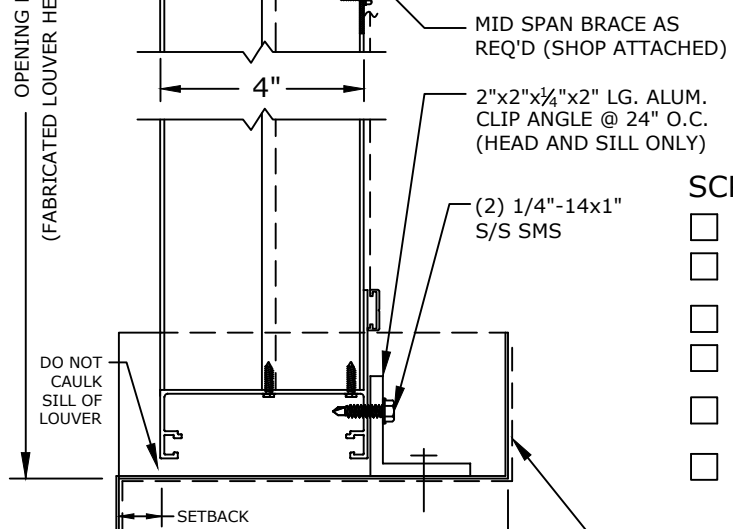


STORM RESISTANT LOUVER MODEL RS-4605



PLAN VIEW

NTS



VERTICAL SECTION (NTS)

SCREENS

- SCREEN NOT REQUIRED
- SCREEN REQUIRED
- INTERIOR MOUNTED
- EXTERIOR MOUNTED
- BIRDSCREEN: 1/2" MESH .063
DIA. ALUM. WIRE (MILL FINISH)
- INSECT SCREEN: 18x16
ALUM. MESH (MILL FINISH)

FINISHES

- STANDARD MILL
- FLUOROPOLYMER POWDER COAT
(NOT AVAILABLE IN 600XL OR 700)
- KYNAR (500),(600XL)or(700)
- (1) OF CS STD. COLORS
- CUSTOM COLOR, CS REQUIRES
A COLOR CHIP FOR MATCHING
- BRONZE ANODIC (DARK OR MED.)
- CLEAR ANODIZE
- OTHER _____

CS EXTRUDED ALUMINUM STORM RESISTANT LOUVER MODEL RS-4605. FRAMES AND BLADES TO BE FABRICATED FROM 6063-T6 ALLOY, WITH REINFORCING BOSSES. ALL FASTENERS TO BE STAINLESS STEEL.

UNSUPPORTED BLADE LENGTH = @ PSF.

MARK	QTY.	"A" DIM.	"B" DIM.	NUMBER OF MULLIONS	LOUVER LOCATION	REMARKS
						CKD. BY:

Construction Specialties, Inc.
3 Werner Way
Lebanon, New Jersey 08833
800-233-8493

PROJECT:	DRAWN BY:
CUSTOMER:	DATE:
ARCH'T:	DWG. NO:
AGENT:	SHEET OF