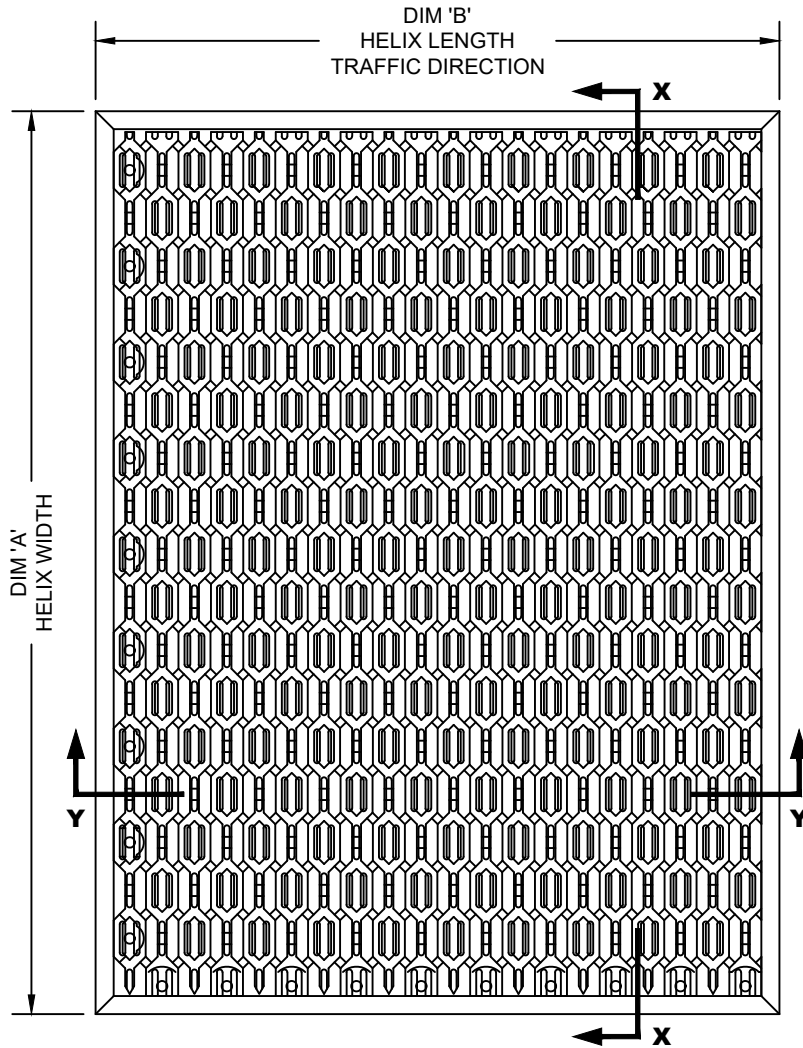


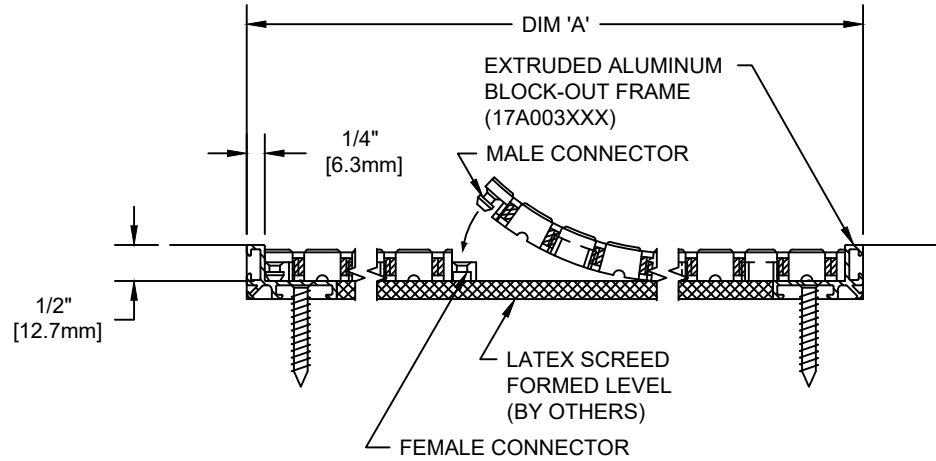
HELIX MODEL Z1 WITH ALUMINUM BLOCK-OUT FRAME

INSERT STYLE: NA INSERT COLOR: NA CATALOG NUMBER: HZ1 PART NUMBER: 181001XXX

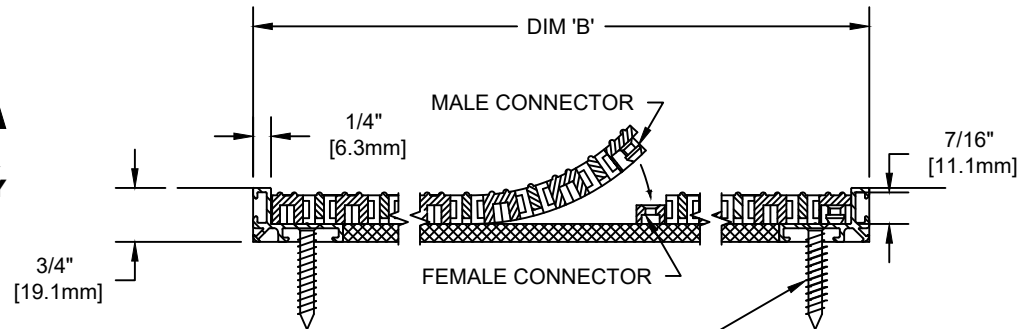
NO.	REVISION	DATE	BY
NO.	F&F RELEASE	DATE	BY



TYPICAL PLAN VIEW



SECTION X-X



MASONRY LAG FASTENER (90H066004) 24\" (609.60mm) O.C.

SECTION Y-Y

NOTES:

*SUPPLIED IN SINGLE TILES (60 TILES) PER CASE.

*ADDITIONAL SPECIFICATIONS ARE CONTAINED IN THE LATEST C/S CATALOG OR AT C-SGROUP.COM AND ARE CONSIDERED PART OF THIS TRANSMITTAL.

*HELIX Z1 IS ABLE TO SUPPORT A 600 LB ROLLING LOAD.

*INDIVIDUAL TILES MEASURE 12\" WIDE BY 9\" IN LENGTH.

CS Construction Specialties™
 6696 Route 405 Highway, Muncy PA 17756
 (800) 233-8493 • Fax (570) 546-4692 • www.c-sgroup.com

PLEASE VERIFY ALL	QTY	MARK #	LOCATION	MODEL	DIM 'A' WIDTH	DIM 'B' LENGTH	MAT COLOR	FRAME FINISH	PROJECT:	
							BLACK OR GRAY		LOCATION:	
							BLACK OR GRAY		CONTRACTOR:	
							BLACK OR GRAY		AGENT:	
							BLACK OR GRAY		SHT:	
								DRG. BY:	DATE:	JOB NO.: