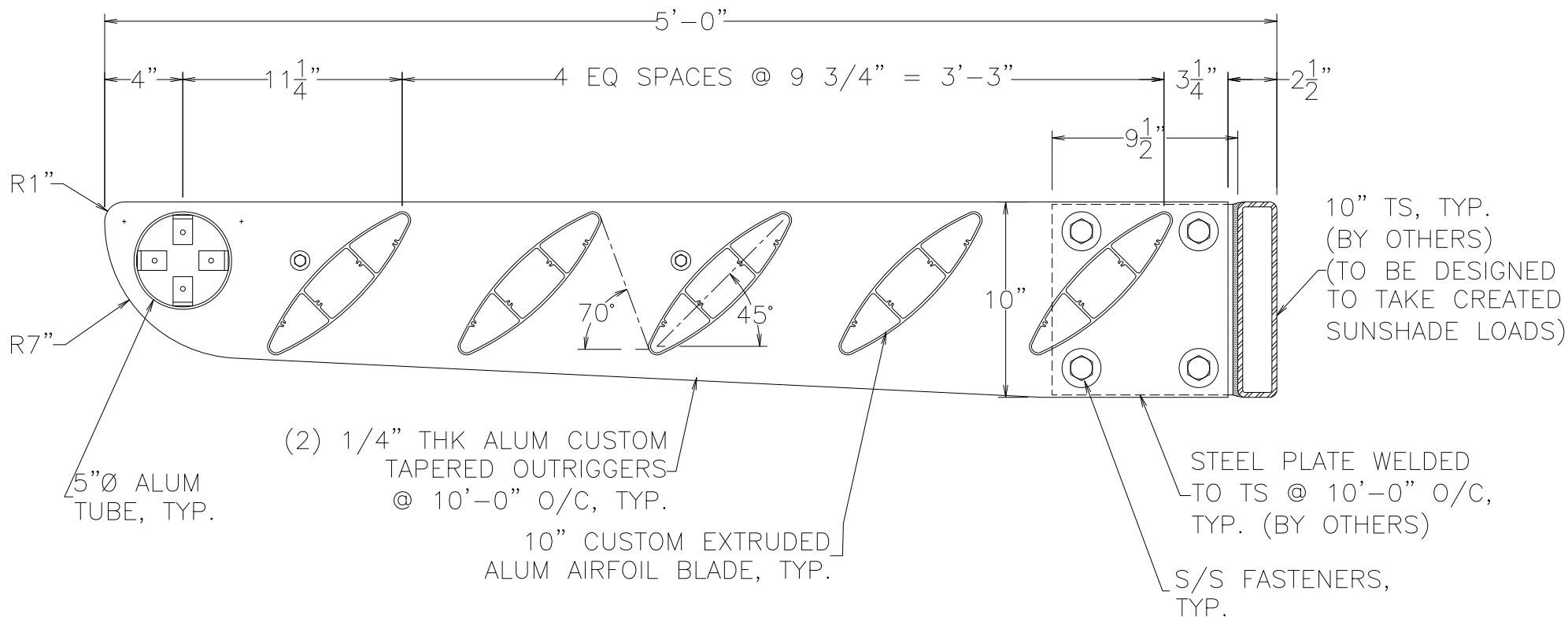


SUNSHADE DESIGNS MUST MEET LOCAL CODE REQUIREMENTS  
 PLEASE CONTACT C/S REPRESENTATIVE IN YOUR AREA  
 FOR ASSISTANCE.



SECTION VIEW DETAIL OF CUSTOM SUNSHADE SYSTEM

100-3C-9



**Construction Specialties™**  
 49 Meeker Avenue, Cranford, NJ 07016-3198  
 Phone (800)-526-6930 / Fax (908)-272-6038

PROJECT: DUBLIN LIBRARY	SCALE: 1/8" = 1"
LOCATION: SAN FRANCISCO, CA	DSGN & DRW BY: MENA MORCOS
ARCH'S: BSA ARCHITECTS	DATE: 09/08/00
AGENT: McQUARRIE ASSOC.	DRW NO : 1 OF 1