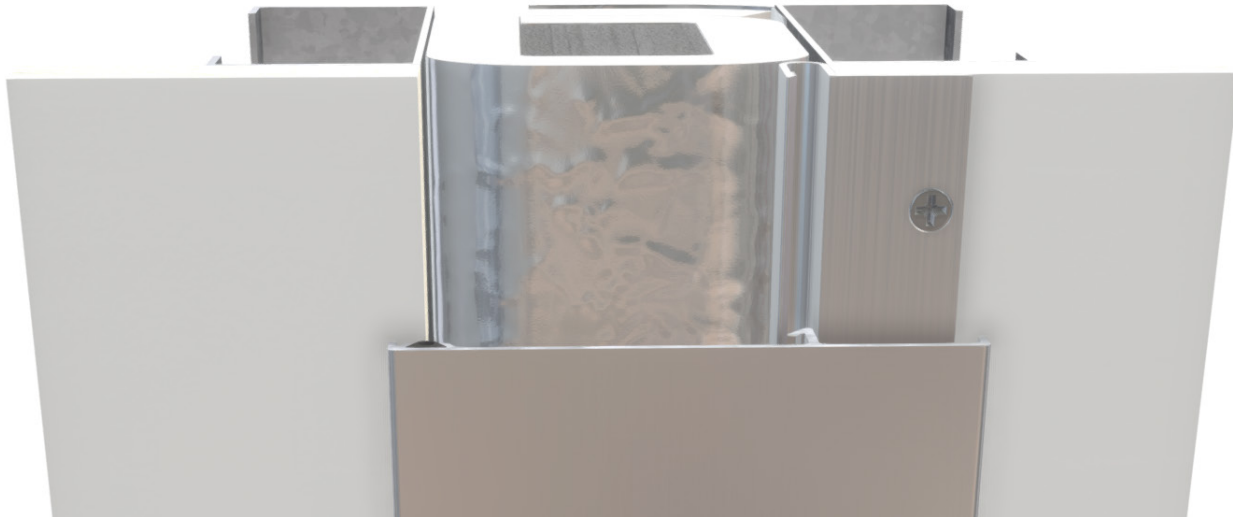


FB-24 Series



Model FB-24

This fire barrier is designed for 1" – 4" nominal wall expansion joints. The third-party listing ensures a 2-hour fire rating. The easy-to-install block type fire barrier does not require any mechanical fasteners and has a simple splice method which reduces installation time.

Advantages

- Tested and listed by a third party for 2-hour wall applications
- Minimizes smoke passage
- No mechanical fasteners required
- Quick and easy installation
- Simple splicing
- Transitions easily to FB-22 floor fire barrier for a full system solution



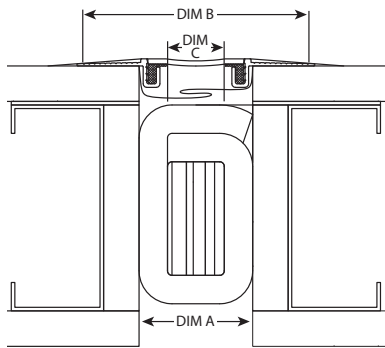
[View 3D Model](#) →

FB-24 Series

Product Details

- For 1" - 4" (25.4mm - 101.6mm) nominal wall joints
- 8' (2.4m) lengths
- Supplied in packs of 3 (24 LF per box)

Model Details



Wall To Wall

MODEL NUMBER	DIM A NOMINAL WIDTH	DIM B MAXIMUM OPEN WIDTH	DIM C MINIMUM CLOSED WIDTH	LISTING NUMBER
FB241PK3	1" (25.4mm)	1½" (38.1mm)	1/2" (12.7mm)	CSI/EJCA 120-05
FB242PK3	2" (50.8mm)	3" (76.2mm)	1" (25.4mm)	CSI/EJCA 120-05
FB243PK3	3" (76.2mm)	4½" (114.3mm)	1½" (38.1mm)	CSI/EJCA 120-05
FB244PK3	4" (101.6mm)	6" (152.4mm)	2" (50.8mm)	CSI/EJCA 120-05

Certifications

- Performance Standards: UL-2079, ASTM E1399
- Code Compliance: UBC, SBC, BOCA, IBC

Warranty

- Standard Five-year Warranty



Learn More →