

## LSRR & LSRW

### TECHNICAL DATA:

#### Aluminum

- Extrusion – CS uses multiple alloys & tempers which are established to be the most appropriate for the given use of individual parts. Will be one of the following: (6063-T5, T6, T52) (6061-T5, T6, T51) (6105-T5, T6) (6005-T5) (6005A-T5, T61), ASTM B221
- Sheet – 6061-T6, 3003-H14, 5005-H34, ASTM B209

#### Lateral Slide / Slider Assembly

- Material – Aluminum 6061-T6 or 6105-T5
- Acetal rod – low friction, high density polymer

#### Bulb Gasket

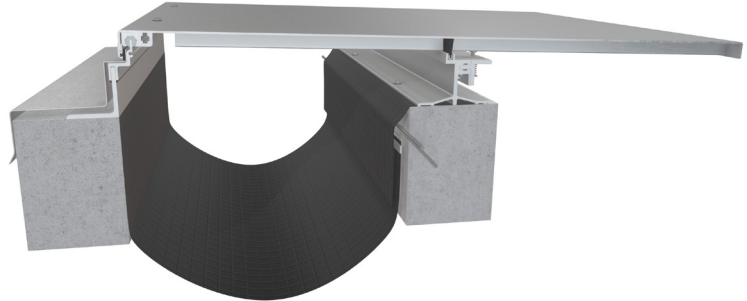
- Material – EPDM, ASTM D2000
- Durometer – 74A
- Color – Black

#### Brush Seal

- Nylon bristles
- Color – Black

#### Vapor Barrier

- Material: 7-Ply Polyethylene, ASTM-E-1745-11
- Color: Black
- 3" Tensile Strength: 275 lbs., ASTM-D-882
- Puncture Strength: 79 lbs., ASTM-D-4833
- PPT Resistance: 62 lbs., ASTM-D-2582



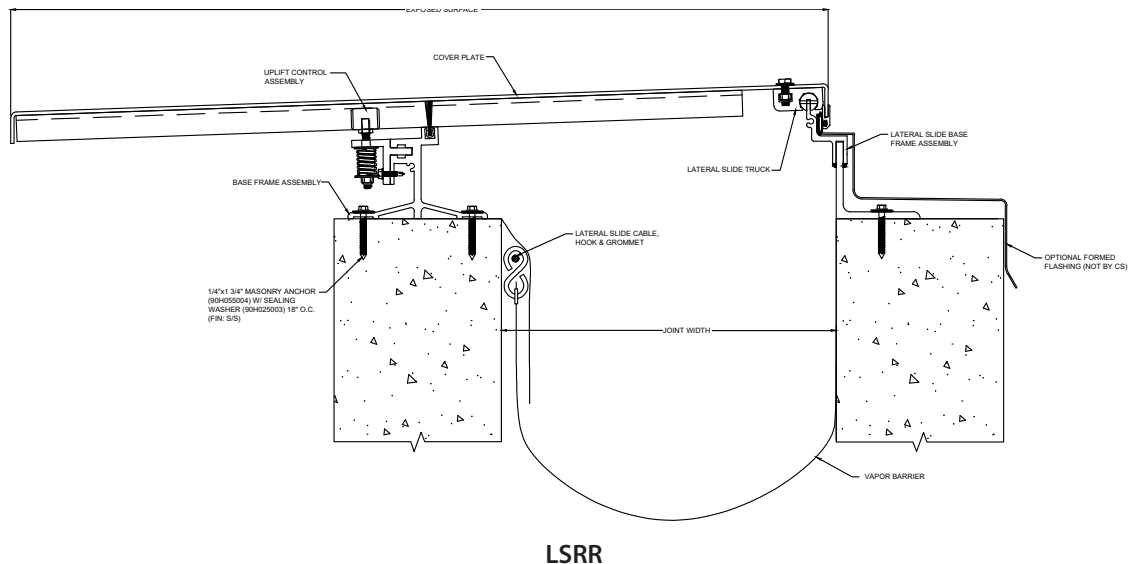
Capable of Lateral Movement

# LSRR & LSRW

MODEL	JOINT WIDTH	MINIMUM OPENING	MAXIMUM OPENING	EXPOSED SURFACE	BLOCKOUT WIDTH	BLOCKOUT HEIGHT
LSRR-800	8.00" (203mm)	0.00" (0mm)	16.00" (406mm)	21.31" (541mm)	N/A	N/A
LSRR-900	9.00" (229mm)	0.00" (0mm)	18.00" (457mm)	23.31" (592mm)	N/A	N/A
LSRR-1000	10.00" (254mm)	0.00" (0mm)	20.00" (508mm)	25.31" (643mm)	N/A	N/A
LSRR-1100	11.00" (279mm)	0.00" (0mm)	22.00" (559mm)	27.31" (694mm)	N/A	N/A
LSRR-1200	12.00" (305mm)	0.00" (0mm)	24.00" (610mm)	29.31" (745mm)	N/A	N/A
LSRR-1300	13.00" (330mm)	0.00" (0mm)	26.00" (660mm)	31.31" (795mm)	N/A	N/A
LSRR-1400	14.00" (356mm)	0.00" (0mm)	28.00" (711mm)	33.31" (846mm)	N/A	N/A
LSRR-1500	15.00" (381mm)	0.00" (0mm)	30.00" (762mm)	35.31" (897mm)	N/A	N/A
LSRR-1600	16.00" (406mm)	0.00" (0mm)	32.00" (813mm)	37.31" (948mm)	N/A	N/A
LSRR-1700	17.00" (432mm)	0.00" (0mm)	34.00" (864mm)	39.31" (999mm)	N/A	N/A
LSRR-1800	18.00" (457mm)	0.00" (0mm)	36.00" (914mm)	41.31" (1,049mm)	N/A	N/A
LSRR-1900	19.00" (483mm)	0.00" (0mm)	38.00" (965mm)	43.31" (1,100mm)	N/A	N/A
LSRR-2000	20.00" (508mm)	0.00" (0mm)	40.00" (1,016mm)	45.31" (1,151mm)	N/A	N/A
LSRR-2100	21.00" (533mm)	0.00" (0mm)	42.00" (1,067mm)	47.31" (1,202mm)	N/A	N/A
LSRR-2200	22.00" (559mm)	0.00" (0mm)	44.00" (1,118mm)	49.31" (1,253mm)	N/A	N/A
LSRR-2300	23.00" (584mm)	0.00" (0mm)	46.00" (1,168mm)	51.31" (1,303mm)	N/A	N/A
LSRR-2400	24.00" (610mm)	0.00" (0mm)	48.00" (1,219mm)	53.31" (1,354mm)	N/A	N/A

**NOTE:**

This product is factory customized to fit your project needs. Please call the factory to discuss movement data and requirements.

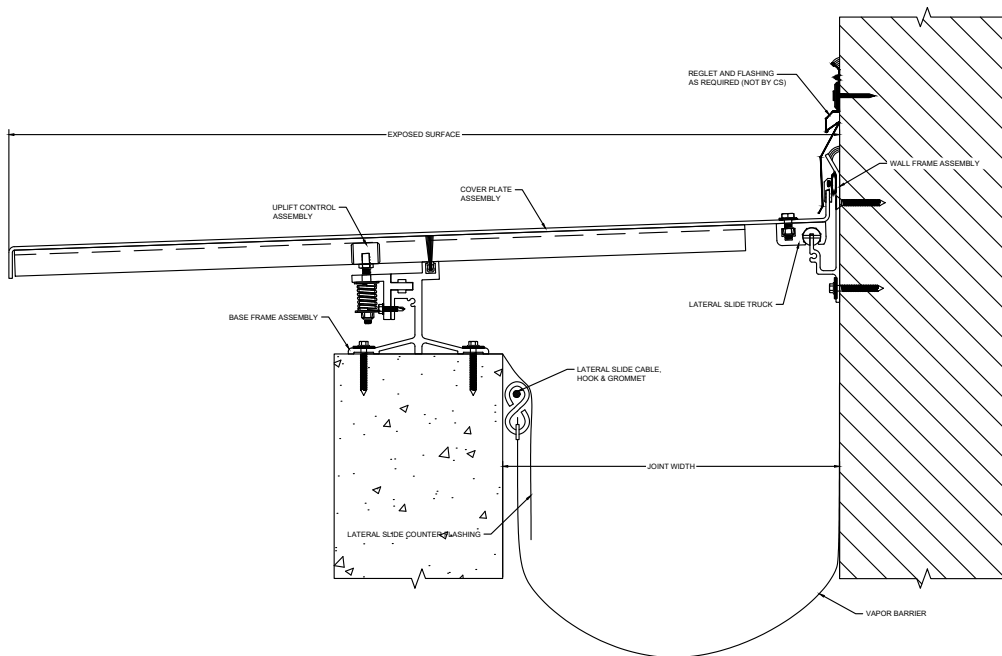


# LSRR & LSRW

MODEL	JOINT WIDTH	MINIMUM OPENING	MAXIMUM OPENING	EXPOSED SURFACE	BLOCKOUT WIDTH	BLOCKOUT HEIGHT
LSRW-800	8.00" (203mm)	0.00" (0mm)	16.00" (406mm)	21.56" (548mm)	N/A	N/A
LSRW-900	9.00" (229mm)	0.00" (0mm)	18.00" (457mm)	23.56" (599mm)	N/A	N/A
LSRW-1000	10.00" (254mm)	0.00" (0mm)	20.00" (508mm)	25.56" (649mm)	N/A	N/A
LSRW-1100	11.00" (279mm)	0.00" (0mm)	22.00" (559mm)	27.56" (700mm)	N/A	N/A
LSRW-1200	12.00" (305mm)	0.00" (0mm)	24.00" (610mm)	29.56" (751mm)	N/A	N/A
LSRW-1300	13.00" (330mm)	0.00" (0mm)	26.00" (660mm)	31.56" (802mm)	N/A	N/A
LSRW-1400	14.00" (356mm)	0.00" (0mm)	28.00" (711mm)	33.56" (853mm)	N/A	N/A
LSRW-1500	15.00" (381mm)	0.00" (0mm)	30.00" (762mm)	35.56" (903mm)	N/A	N/A
LSRW-1600	16.00" (406mm)	0.00" (0mm)	32.00" (813mm)	37.56" (954mm)	N/A	N/A
LSRW-1700	17.00" (432mm)	0.00" (0mm)	34.00" (864mm)	39.56" (1,005mm)	N/A	N/A
LSRW-1800	18.00" (457mm)	0.00" (0mm)	36.00" (914mm)	41.56" (1,056mm)	N/A	N/A
LSRW-1900	19.00" (483mm)	0.00" (0mm)	38.00" (965mm)	43.56" (1,107mm)	N/A	N/A
LSRW-2000	20.00" (508mm)	0.00" (0mm)	40.00" (1,016mm)	45.56" (1,157mm)	N/A	N/A
LSRW-2100	21.00" (533mm)	0.00" (0mm)	42.00" (1,067mm)	47.56" (1,208mm)	N/A	N/A
LSRW-2200	22.00" (559mm)	0.00" (0mm)	44.00" (1,118mm)	49.56" (1,259mm)	N/A	N/A
LSRW-2300	23.00" (584mm)	0.00" (0mm)	46.00" (1,168mm)	51.56" (1,310mm)	N/A	N/A
LSRW-2400	24.00" (610mm)	0.00" (0mm)	48.00" (1,219mm)	53.56" (1,361mm)	N/A	N/A

**NOTE:**

This product is factory customized to fit your project needs. Please call the factory to discuss movement data and requirements.



LSRW